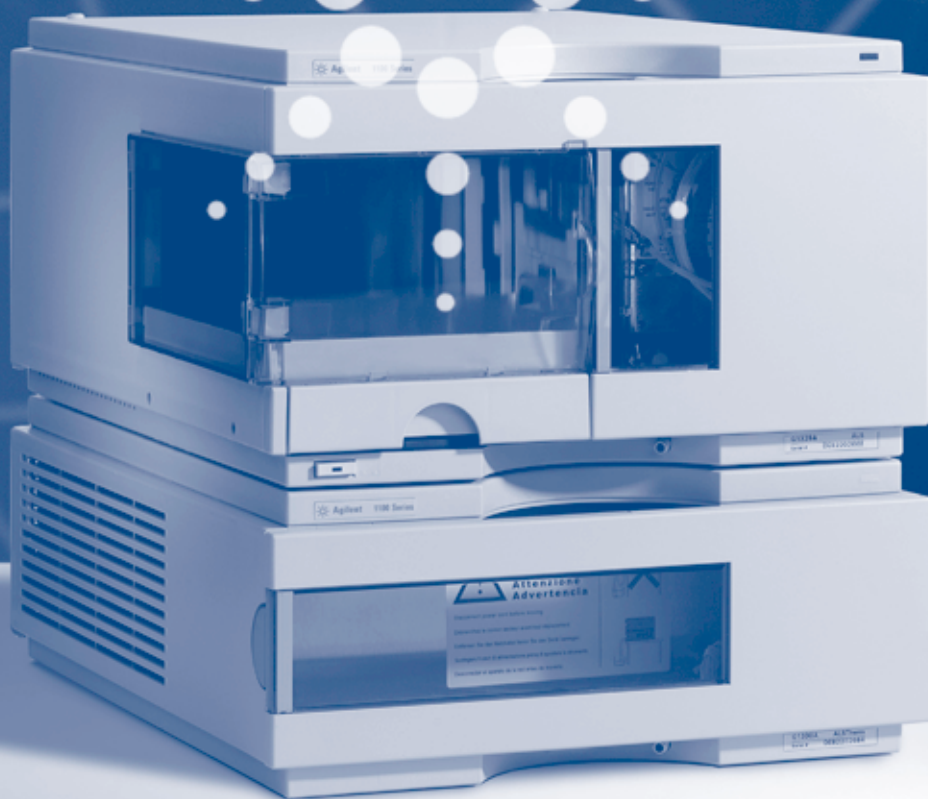


Agilent 1100 Series Standard, Micro and Preparative Autosamplers

Reference Manual



Agilent Technologies

© Copyright Agilent
Technologies 2001

All rights reserved.
Reproduction,
adaption, or translation
without prior written
permission is
prohibited, except as
allowed under the
copyright laws.

Part No. G1313-90004

Edition 08/01

Printed in Germany

Warranty

The information
contained in this
document is subject to
change without notice.

Agilent Technologies
*makes no warranty of
any kind with regard
to this material,
including, but not
limited to, the implied
warranties or
merchantability and
fitness for a particular
purpose.*

Agilent Technologies
shall not be liable for
errors contained herein
or for incidental or
consequential damages
in connection with the
furnishing,
performance, or use of
this material.

WARNING

For details of safety,
see Safety Information
on page 279.

Warning Symbols Used In This Book



The apparatus is
marked with this
symbol when the user
should refer to the
instruction manual in
order to prevent risk of
harm to the operator
and to protect the
apparatus against
damage.

Reference Manual

In This Book

This manual contains technical reference information about the Standard, Micro and Preparative Autosamplers and their respective Thermostatted version. The manual describes the following:

- installing the autosampler,
- optimizing performance,
- troubleshooting and test functions,
- repairing the autosampler,
- parts and materials,
- introduction to the autosampler,
- theory of operation and
- control module screens.

1 Installing the Autosampler

Site requirements and installation of the autosampler and thermostatted autosampler 13

Site Requirements 14

Unpacking the Autosampler 17

Optimizing the Stack Configuration 22

Installing the Autosampler 26

Installing the Thermostatted Autosampler 28

Flow Connections 31

Sample Trays 32

Choice of Vials and Caps 35

Transporting the Autosampler 38

2 Optimizing Performance

How to optimize the autosamplers to achieve best results 39

Optimization for Lowest Carry-over 41

Fast Injection Cycle and Low Delay Volume 44

Precise Injection Volume 46

Choice of Rotor Seal 48

3 Troubleshooting and Test Functions

The modules built-in troubleshooting and test functions 49

Status Indicators 51

Power Supply Indicator 52

Instrument Status Indicator 52

Error Messages 53

Timeout 54
Shutdown 55
Remote Timeout 56
Synchronization Lost 57
Leak 58
Leak Sensor Open 59
Leak Sensor Short 60
Compensation Sensor Open 61
Compensation Sensor Short 62
Fan Failed 63
Open Cover 64
Restart Without Cover 65
Arm Movement Failed 66
Valve to Bypass Failed 67
Valve to Mainpass Failed 68
Needle Up Failed 69
Needle Down Failed 70
Missing Vial 71
Initialization Failed 72
Metering Home Failed 73
Motor Temperature 74
Initialization with Vial 75
Safety Flap Missing 76
Vial in Gripper 77
Missing Wash Vial 78
Invalid Vial Position 79

Maintenance Functions 80

Change Needle 81
Change Piston 83

Park Arm (Park Gripper) 84
Change Gripper (Change Arm) 85

Tray Alignment 87

Step Commands 89

Troubleshooting Guide for the Sample Transport Assembly 94

Intermittent lock-ups with or without vial in the gripper fingers 95

Jittery (shaky) movement in X and or theta axes and/or when the needle goes through the gripper arm into the via 97

Poor alignment, seen during vial pickup and vial replacement and/or when the needle hits the gripper arm 99

4 Repairing the Autosampler

Instructions on simple, routine repair procedures as well as more extensive repairs requiring exchange of internal parts 101

Updating the Firmware 103

Cleaning the Autosampler 104

Using the ESD Strap 105

Overview of Main Repair Procedures 106

Simple Repairs 107

Needle Assembly 108

Needle-Seat Assembly 111

Stator Face 114

Rotor Seal	117
Metering Seal and Plunger	120
Gripper Arm	123
Interface Board	125
Exchanging Internal Parts	126
Assembling the Main Cover	127
Top Cover and Foam	128
Installing the Top Cover and Foam	130
Transport Assembly	132
Sampling Unit	134
Injection-Valve Assembly	140
Metering-Drive Motor and Belt	142
Needle-Drive Motor and Belt	144
Fan	146
ASM Board	148
SUD Board	152
Power Supply	154
Leak Sensor	157

5 Parts and Materials

Detailed illustrations and lists for identification of parts and materials 159

Main Assemblies	160
Sampling Unit Assembly	162
Analytical-Head Assembly	165
Injection-Valve Assembly	168
Sheet Metal Kit	170
Cover Parts	171

Foam Parts	172
Power and Status Light Pipes	173
Leak System Parts	174
Vial Trays	175
Autosampler Accessory Kit G1313-68705	177
Thermostatted Autosampler Accessory Kit G1329-68705	178
Micro Thermostatted Autosampler Accessory Kit G1329-68715	179
Preparative ALS Accessory Kit G2260-68705	180
Maintenance Kit G1313-68709	181
Multi-Draw Kit G1313-68711	182
900 µl Injection Upgrade Kit G1363A for G1313A / 29A	183
External Tray G1313-60004	184

Cable Overview 185

Analog Cables	187
Remote Cables	189
BCD Cables	195
Auxiliary Cable	197
CAN Cable	197
External Contact Cable	198
RS-232 Cable Kit	199
LAN Cables	200

6 Introduction to the Autosampler

An introduction to the standard, micro and preparative autosamplers and thermostatted autosamplers 201

Introduction to the Autosampler	202
Sampling Sequence	204

Sampling Unit 207
Transport Assembly 210
Early Maintenance Feedback (EMF) 212
Electrical Connections 214

7 Theory of Operation

Theory of operation of mechanical hardware, electronics, and instrument interfaces 217

Autosampler Control and Electronics 218

Position and Movement Sensors 219
Autosampler Main Board (ASM) 220
Firmware Description 226
Optional Interface Boards 228
Interfaces 231
Setting the 8-bit Configuration Switch 236
The Main Power Supply Assembly 241

8 Introduction to the Control Module

Introduction to the screens available for operation of the Agilent 1100 Series autosamplers with the control module 245

Screens available from the Analysis screen 247
Screens available from the System screen 258
Screens available from the Records screen 260
Diagnostics and Tests 264

9 Specifications

Performance specifications of the Agilent 1100 Series Standard, Micro and Preparative Autosamplers 269

Performance Specifications 270

10 Legal, Safety and Warranty Information

Warranty Statement 276

Safety Information 279

Lithium Batteries Information 282

Radio Interference 283

Sound Emission 283

Solvent Information 284

Agilent Technologies on Internet 285

Contents

Installing the Autosampler

Site requirements and installation of the autosampler and
thermostatted autosampler

Installing the Autosampler

Site Requirements

A suitable site environment is important to ensure optimal performance of the autosampler.

Power Consideration

The autosampler power supply has wide-ranging capability. Consequently there is no voltage selector in the rear of the autosampler. There are also no externally accessible fuses, because automatic electronic fuses are implemented in the power supply.

The thermostatted autosampler comprises two modules, the autosampler and the thermostat (G1330B). Both modules have a separate power supply and a power plug for the line connections. The two modules are connected by a control cable and both are turned on by the autosampler module.

WARNING

To disconnect the autosampler from line power, unplug the power cord. The power supply still uses some power, even if the power switch on the front panel is turned off.

WARNING

To disconnect the thermostatted autosampler from line power, unplug the power cord from the autosampler and the ALS thermostat. The power supplies still use some power, even if the power switch on the front panel is turned off. Please make sure that it is always possible to access the power plug.

WARNING

Shock hazard or damage of your instrumentation can result if the devices are connected to a line voltage higher than specified.

Power Cords

Your autosampler is delivered with a power cord which matches the wall socket of your particular country or region. The plug on the power cord which connects to the rear of the instrument is identical for all types of power cord.

WARNING

Never operate your instrumentation from a power outlet that has no ground connection. Never use a power cord other than the power cord designed for your region.

WARNING

Never use cables other than the ones supplied by Agilent Technologies to ensure proper functionality and compliance with safety or EMC regulations.

Bench Space

The autosampler dimensions and weight (see Table 1) allow the instrument to be placed on almost any laboratory bench. The instrument requires an additional 2.5 cm (1.0 inch) of space on either side, and approximately 8 cm (3.1 inches) at the rear for the circulation of air, and room for electrical connections. Ensure the autosampler is installed in a horizontal position.

The thermostatted autosampler dimensions and weight (see) allow the instrument to be placed on almost any laboratory bench. The instrument requires an additional 25 cm (10 inches) of space on either side for the circulation of air, and approximately 8 cm (3.1 inches) at the rear for electrical connections. Ensure the autosampler is installed in a level position.

If a complete Agilent 1100 Series system is to be installed on the bench, make sure that the bench is designed to carry the weight of all the modules. For a complete system including the thermostatted autosampler it is recommended to position the modules in two stacks, see “Optimizing the Stack Configuration” on page 22. Make sure that in this configuration there is 25 cm (10 inches) space on either side of the thermostatted autosampler for the circulation of air.

Environment

Your autosampler will work within specifications at ambient temperatures and relative humidity as described in Table 1.

CAUTION

Do not store, ship or use your autosampler under conditions where temperature fluctuations may cause condensation within the autosampler. Condensation will damage the system electronics. If your autosampler was shipped in cold weather, leave it in its box, and allow it to warm up slowly to room temperature to avoid condensation.

Table 1 Physical Specifications - Autosampler (G1313A / G1329A / G1389A / G2260A)

Type	Specification	Comments
Weight	14.2 kg (31.3 lbs)	
Dimensions (height × width × depth)	200 × 345 × 435 mm (8 × 13.5 × 17 inches)	
Line voltage	100 – 120 or 220 – 240 VAC, ± 10 %	Wide-ranging capability
Line frequency	50 or 60 Hz, ± 5 %	
Power consumption (apparent power)	300 VA	Maximum
Power consumption (active power)	200 W	Maximum
Ambient operating temperature	4 – 55 °C (41 – 131 °F)	see WARNING on page 16
Ambient non-operating temperature	-40 to 70 °C (-4 to 158 °F)	
Humidity	< 95 %, at 25 – 40 °C (77 – 104 °F)	Non-condensing
Operating Altitude	Up to 2000 m (6500 ft)	
Non-operating altitude	Up to 4600 m (14950 ft)	For storing the autosampler
Safety standards: IEC, CSA, UL	Installation Category II, Pollution Degree 2	

WARNING

Using the autosampler at environmental temperatures higher than 50 °C (122 °F) may cause the rear panel to become hot.

Unpacking the Autosampler

CAUTION

If you need to ship the autosampler at a later date, always park the transport assembly before shipment (see “Transporting the Autosampler” on page 38).

Damaged Packaging

Upon receipt of your autosampler, inspect the shipping containers for any signs of damage. If the containers or cushioning material are damaged, save them until the contents have been checked for completeness and the autosampler has been mechanically and electrically checked. If the shipping container or cushioning material is damaged, notify the carrier and save the shipping material for the carriers inspection.

CAUTION

If there are signs of damage to the autosampler, please do not attempt to install the autosampler.

Delivery Checklist

Ensure all parts and materials have been delivered with the autosampler. The instrument box contains the instrument and an Accessory kit. A separate box contains the reference manual and the power cable.

In Table 3, Table 4, Table 5 and Table 6 are listed the content of each accessory kit.

Please report missing or damaged parts to your local Agilent Technologies sales and service office.

Installing the Autosampler

Unpacking the Autosampler

Table 2

G1313A - Autosampler Accessory Kit Contents G1313-68705

Description	Part Number
Tubing assembly	5063-6527
Filter promo kit	5064-8240
CAN cable	5181-1516
Screw cap vials, clear 100/pk	5182-0714
Blue screw caps 100/pk	5182-0717
Label halftray	5989-3890
Vial instruction sheet	no PN
Wrenches 1/4 - 5/16 inch	8710-0510
Rheotool socket wrench 1/4 inch	8710-2391
Hex key 4 mm, 15 cm long, T-handle	8710-2392
Hex key 9/64 mm, 15 cm long, T- handle	8710-2394
Hex key 2.5 mm, 15 cm long, straight handle	8710-2412
ESD wrist strap	9300-1408
Finger caps (x3)*	5063-6506
Tray for 40 x 2 ml vials	G1313-44502
Tray for 15 x 6 ml vials	G1313-44503
Capillary 0.17 mm 180 mm	G1313-87305

* Reorder gives pack of 15

Installing the Autosampler

Unpacking the Autosampler

Table 3

G1329A - Thermostatted Autosampler Accessory Kit Contents G1329-68705

Description	Part Number
Tubing assembly	5063-6527
Filter promo kit	5064-8240
CAN cable, 1 m long	5181-1519
Screw cap vials, clear 100/pk	5182-0714
Blue screw caps 100/pk	5182-0717
Label halftray	5989-3890
Vial instruction sheet	no PN
Wrenches 1/4 - 5/16 inch	8710-0510
Rheotool socket wrench 1/4 inch	8710-2391
Hex key 4 mm, 15 cm long, T-handle	8710-2392
Hex key 9/64 mm, 15 cm long, T-handle	8710-2394
Hex key 2.5 mm, 15 cm long, straight handle	8710-2412
ESD wrist strap	9300-1408
Finger caps (x3)*	5063-6506
Front door cooled autosampler	G1329-40301
Air channel adapter	G1329-43200
Cover insulation	no PN
Capillary 0.17 mm, 900 mm	G1329-87300
Capillary heat exchanger	01090-87306
Note for 1100 Series Autosampler door upgrade	no PN

* Reorder gives pack of 15

Installing the Autosampler

Unpacking the Autosampler

Table 4

G1389A - Micro Thermostatted Autosampler Accessory Kit Contents G1329-68715

Description	Part Number
Tubing assembly	5063-6527
CAN cable, 1 m long	5181-1519
Screw cap vials, clear 100/pk	5182-0714
Blue screw caps 100/pk	5182-0717
Label halftray	5989-3890
Vial instruction sheet	no PN
Fitting	79814-22406
Hex Key	8710-0060
Wrench 4 mm both ends	8710-1534
Wrenches 1/4 - 5/16 inch	8710-0510
Rheotool socket wrench 1/4 inch	8710-2391
Hex key 4 mm, 15 cm long, T-handle	8710-2392
Hex key 9/64 mm, 15 cm long, T-handle	8710-2394
Hex key 2.5 mm, 15 cm long, straight handle	8710-2412
ESD wrist strap	9300-1408
Finger caps (x3) [*]	5063-6506
Torque adapter	G1315-45003
Front door cooled autosampler	G1329-40301
Air channel adapter	G1329-43200
Cover insulation	no PN
Extended loop capillary 0.25 mm, 180 mm	G1329-87302
Fused silica capillary 0.050 mm, 500 mm	G1375-87304

^{*} Reorder gives pack of 15

Installing the Autosampler

Unpacking the Autosampler

Table 5

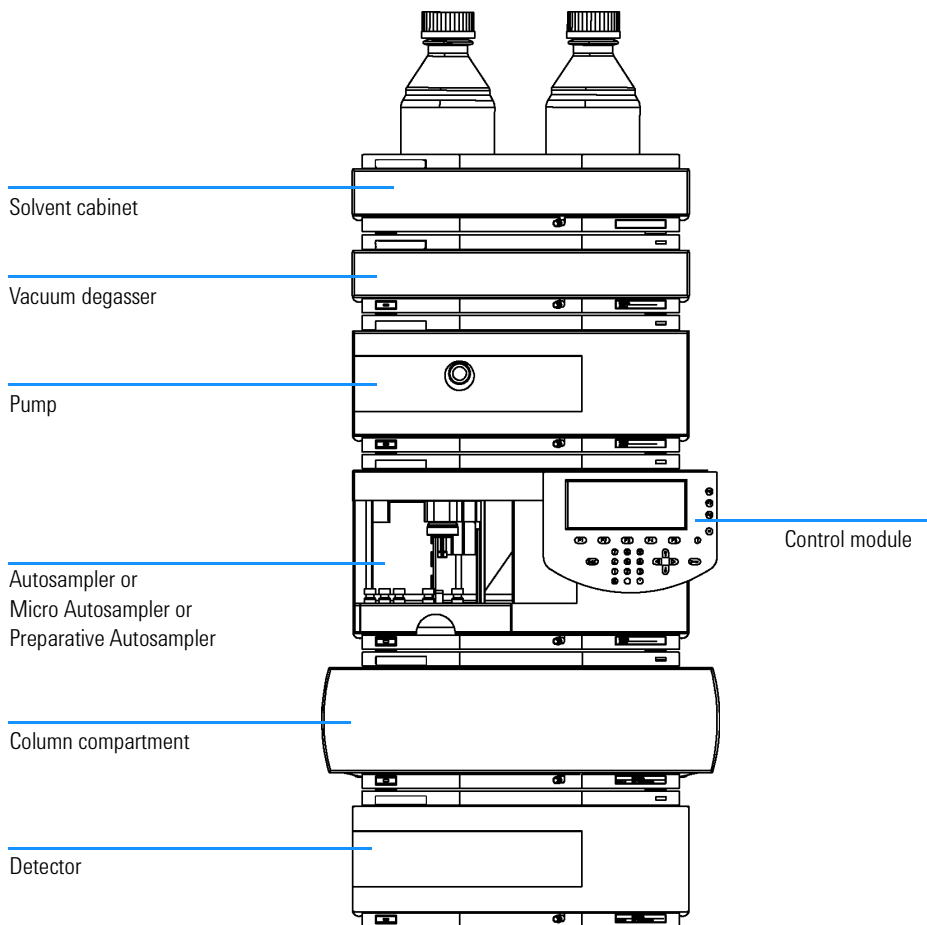
G2260A - Preparative Autosampler Accessory Kit Contents G2260-68705

Description	Part Number
Description	Part Number
Tubing assembly	5063-6527
Filter promo kit	5064-8240
CAN cable, 1 m long	5181-1519
Screw cap vials, clear 100/pk	5182-0714
Blue screw caps 100/pk	5182-0717
Label halftray	5989-3890
Wrenches 1/4 - 5/16 inch	8710-0510
Rheotool socket wrench 1/4 inch	8710-2391
Hex key 4 mm, 15 cm long, T-handle	8710-2392
Hex key 9/64 mm, 15 cm long, T-handle	8710-2394
Hex key 2.5 mm, 15 cm long, straight handle	8710-2412
ESD wrist strap	9300-1408
Finger caps x3 (reorder gives pack of 15)	5063-6506
Front door cooled autosampler	G1329-40301
Air channel adapter	G1329-43200
Tray for 15 x 6 ml vials (x2)	G1313-44503
Union, loop extension	5022-2133
Seat extension capillary (500 µl)	G1313-87307
Seat extension capillary (1500 µl)	G1313-87308
Sampler - Column capillary	G2260-87300

Optimizing the Stack Configuration

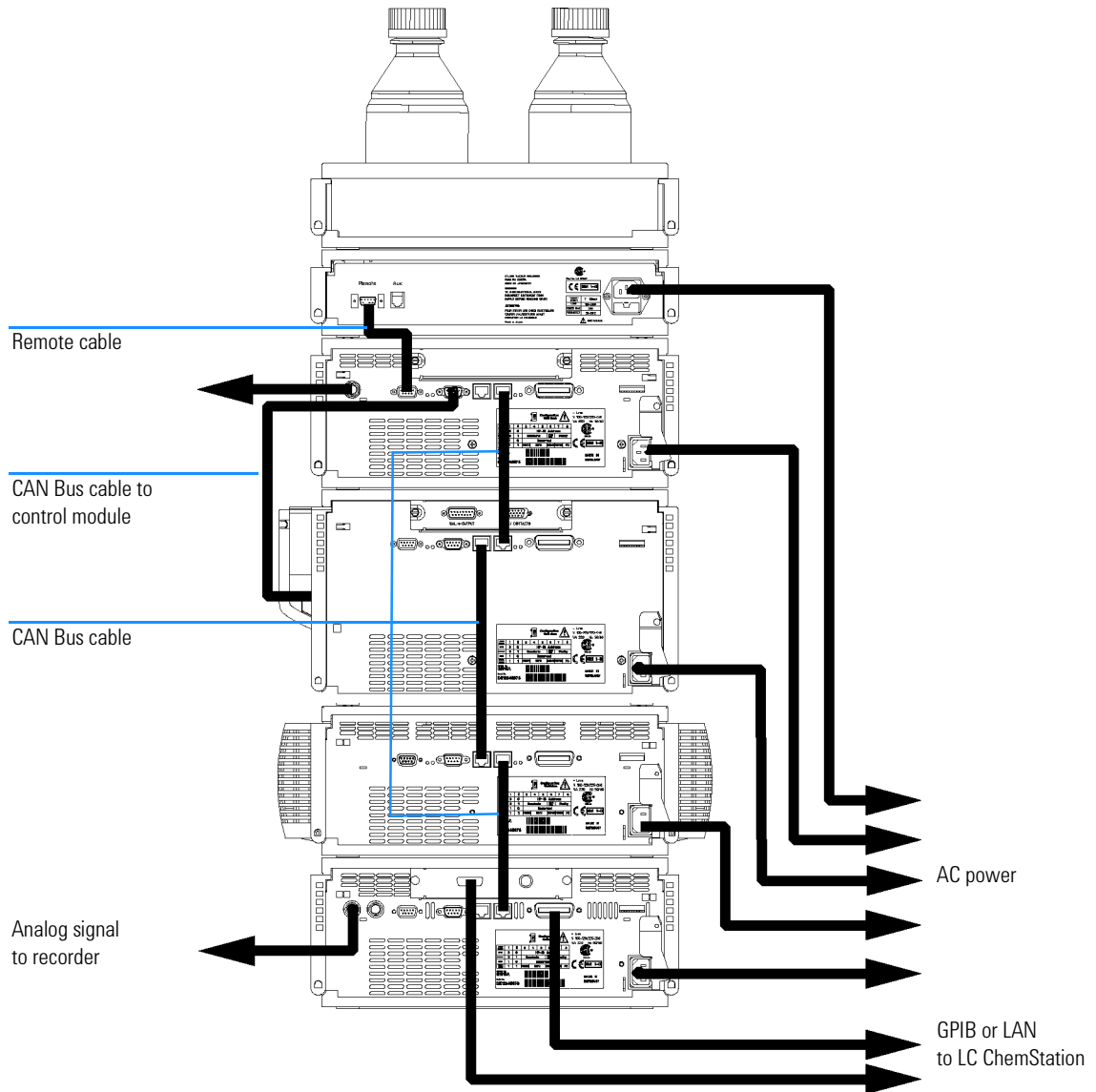
If your autosampler is part of a system, you can ensure optimum performance by installing the autosampler in the stack in the position shown in Figure 1 and Figure 2. Figure 3 and Figure 4 show the configuration recommended for a thermostatted autosampler. These configurations optimize the system flow path, ensuring minimum delay volume.

Figure 1 Recommended Stack Configuration for an Autosampler (Front View)



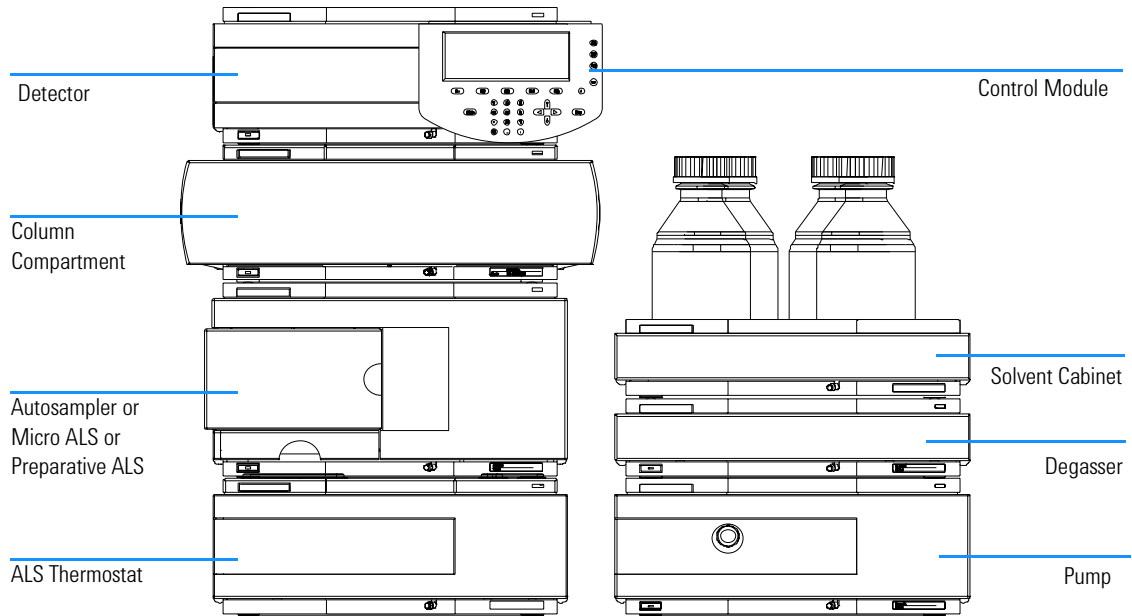
Installing the Autosampler
Optimizing the Stack Configuration

Figure 2 Recommended Stack Configuration for an Autosampler (Rear View)



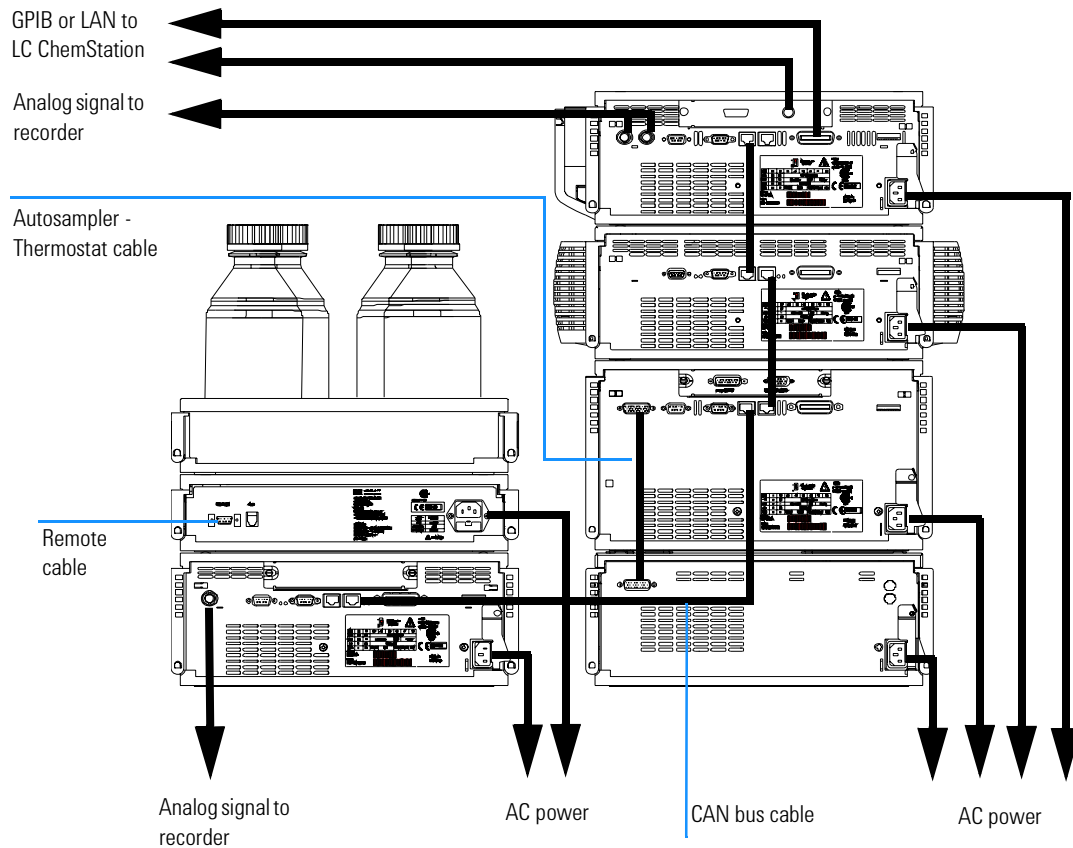
Installing the Autosampler
Optimizing the Stack Configuration

Figure 3 Recommended Stack Configuration for a Thermostatted ALS (Front View)



Installing the Autosampler
Optimizing the Stack Configuration

Figure 4 Recommended Stack Configuration for a Thermostatted ALS (Rear View)



Installing the Autosampler

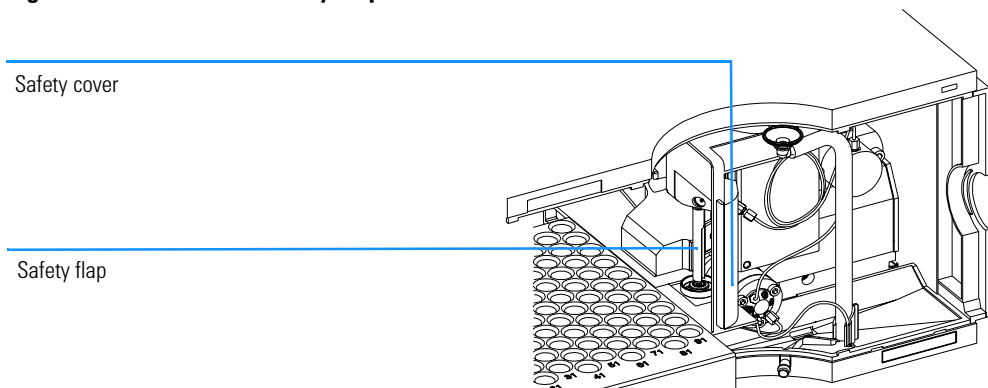
Preparation	Locate bench space Provide power connection Unpack the Sampler
Parts required	Sampler Power cord, for the other cables see below and “Cable Overview” on page 185 Chemstation and/or Control Module G1323B.

WARNING

To avoid personal injury, keep fingers away from the needle area during autosampler operation. Do not bend the safety flap away from its position, or attempt to remove the safety cover (see Figure 5). Do not attempt to insert or remove a vial from the gripper when the gripper is positioned below the needle.

Figure 5

Safety Flap



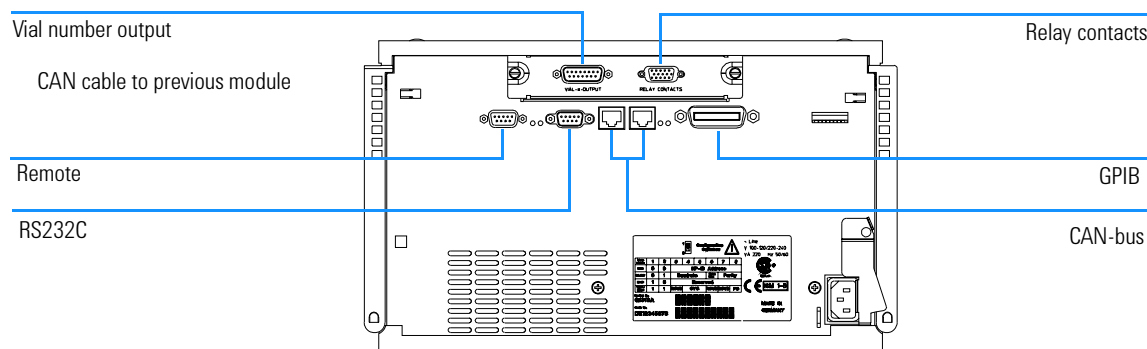
- 1 Install the LAN interface board in the sampler (if required), see “Agilent 1100 Series Interface Board to general purposes” on page 198.
- 2 Remove the adhesive tape which covers the front door.
- 3 Remove the front door and remove the transport protection foam.
- 4 Place the Autosampler on the bench or in the stack as recommended in “Recommended Stack Configuration for an Autosampler (Front View)” on page 22.

Installing the Autosampler

Installing the Autosampler

- 5 Ensure the power switch at the front of the Autosampler is OFF.
- 6 Connect the power cable to the power connector at the rear of the sampler.
- 7 Connect the CAN cable to the other Agilent 1100 modules.
- 8 If an Agilent Chemstation is the controller, connect either
 - ❑ The GPIB cable to the detector
 - ❑ The LAN connector to the LAN interface
- 9 Connect the APG remote cable (optional) for non Agilent 1100 series instruments.
- 10 Turn ON power by pushing the button at the lower left hand side of the sampler.

Figure 6 Cable Connections



NOTE If the front cover is not installed the autosampler is in a not ready condition and operation is inhibited.

NOTE The sampler is turned ON when the line power switch is pressed and the green indicator lamp is illuminated. The detector is turned OFF when the line power switch is protruding and the green light is OF.

WARNING **To disconnect the sampler from the line,unplug the power cord. The power will supply still uses some power, even switch at the front panel is turned OFF.**

Installing the Thermostatted Autosampler

Preparation	Locate bench space Provide power connection Unpack the Sampler and the Thermostat
Parts required	Sampler and Thermostat Power cord, for the other cables see below and “Cable Overview” on page 185 Chemstation and/or Control Module G1323B.

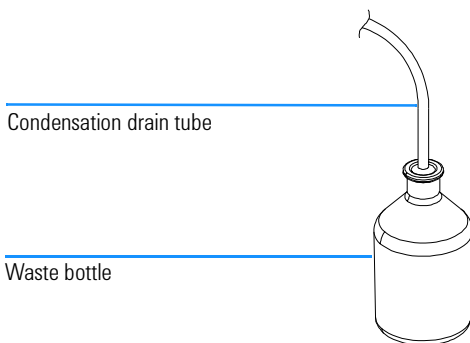
- 1 Place the Thermostat on the bench.
- 2 Remove the front cover and route the condensation drain tube to the waste.

WARNING

Make sure that the condensation tube is always above the liquid level in the vessel. If the tube is located in liquid the condensed water cannot flow out of the tube and the outlet is blocked. Any further condensation will then remain in the instrument. This may damage the instruments electronics.

Figure 7

Condensation Leak outlet



- 3 Install the LAN interface board in the sampler (if required), see “Agilent 1100 Series Interface Board to general purposes” on page 198.
- 4 Remove the adhesive tape which covers the front door.
- 5 Remove the front door and remove the transport protection foam.

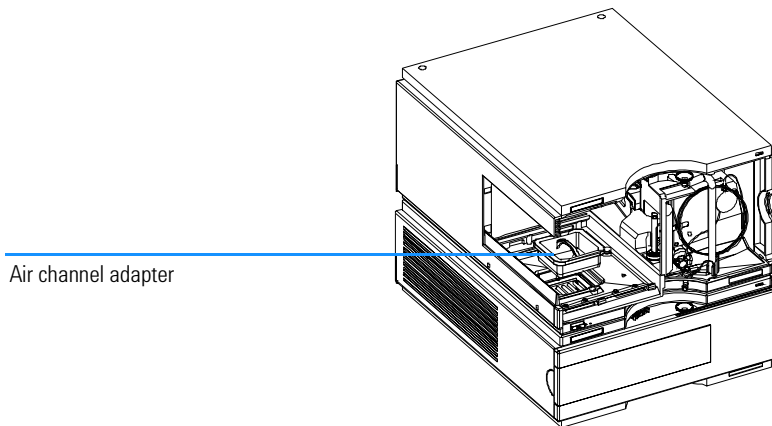
Installing the Autosampler

Installing the Thermostatted Autosampler

- 6 Place the Autosampler on top of the Thermostat. Make sure that the Autosampler is correctly engaged in the Thermostat locks.
- 7 Place the air channel adapter into the autosampler tray base. Make sure the adapter is fully pressed down. This assures that the cold airstream from the Thermostat is correctly guided to the tray area of the Autosampler.

Figure 8

Air channel adapter



- 8 Re-install the tray
- 9 Ensure the power switch on the front of the Autosampler is OFF and the power cables are disconnected.
- 10 Connect the cable between the Autosampler and the Thermostat, see Figure 9.

WARNING

Do not disconnect or reconnect the autosampler to ALS thermostat cable when the power cords are connected to either of the two modules. This will damage the electronics of the modules.

- 11 Connect the power cables to the power connectors.
- 12 Connect the CAN cable to the other Agilent 1100 modules.

Installing the Autosampler

Installing the Thermostatted Autosampler

- 13 If an Agilent Chemstation is the controller, connect either
 - ❑ The GPIB cable to the detector
 - ❑ The LAN connector to the LAN interface
- 14 Connect the APG remote cable (optional) for non Agilent 1100 series instruments.
- 15 Turn ON power by pushing the button at the lower left hand side of the sampler.

NOTE

The sampler is turned ON when the line power switch is pressed and the green indicator lamp is illuminated. The detector is turned OFF when the line power switch is protruding and the green light is OFF.

WARNING

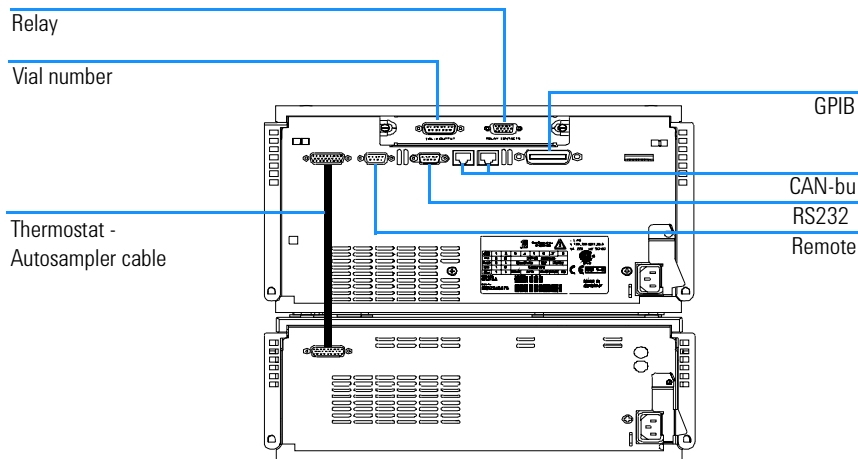
To disconnect the sampler from the line, unplug the power cord. The power supply still uses some power, even if the power switch at the front of the panel is turned OFF.

WARNING

To avoid personal injury, keep fingers away from the needle area during Autosampler operation. Do not attempt to insert or remove a vial or a plate when the needle is positioned.

Figure 9

Cable Connections



Flow Connections

Preparation Sampler is installed in the LC system

Parts required Parts from the Accessory kit

WARNING

When opening capillary or tube fittings, solvents may leak out. Please observe appropriate safety procedures (for example, goggles, safety gloves and protective clothing) as described in the material handling and safety data sheet supplied by the solvent vendor, especially when toxic or hazardous solvents are used.

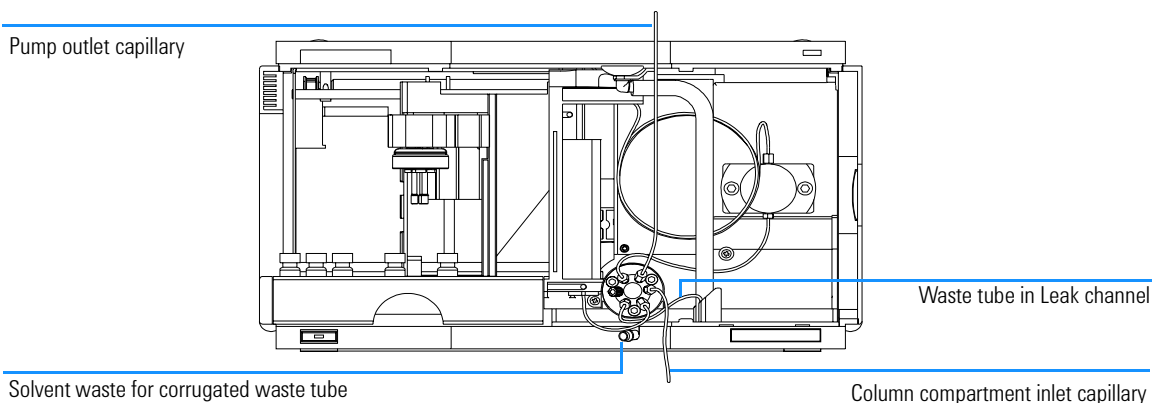
- 1 Connect the pump outlet capillary to port 1 of the injection valve.
- 2 Connect column-compartment inlet capillary to port 6 of the injection valve.
- 3 Connect the corrugated waste tube to the solvent waste from the leak plane.
- 4 Ensure that the waste tube is positioned inside the leak channel.

NOTE

Do not extend the waste capillary of the autosampler. The siphoning effect might empty the complete seat capillary introducing air into the system.

Figure 10

Hydraulic Connections



Sample Trays

Installing the Sample Tray

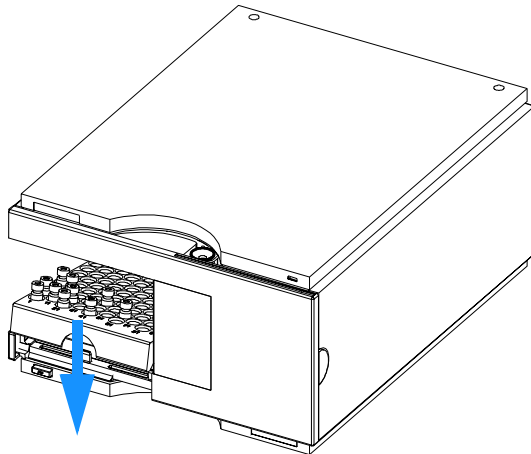
- 1 Open the front door.
- 2 Load the sample tray with sample vials as required.
- 3 Slide the sample tray into the autosampler so that the rear of the sample tray is seated firmly against the rear of the sample-tray area.
- 4 Press the front of the sample tray down to secure the tray in the autosampler.

NOTE

If the thermostatted autosampler tray pops out of position the air channel adapter is not correctly inserted.

Figure 11

Installing the Sample Tray



Supported trays for the different Autosampler**Table 6****Supported trays for the Autosampler (G1313A)**

Description	Part Number
Tray for 100 x 2 ml vials	G1313-44500
Halftray for 15 x 6 ml vials	G1313-44503
Halftray for 40 x 2 ml vials	G1313-44502

Table 7**Supported tray for the Autosampler (G1329A / G1389A / G2260A)**

Description	Part Number
Thermostatable Tray for 100 x 2 ml vials	G1329-60001
Halftray for 15 x 6 ml vials (for G2260A only [*])	G1313-44503

^{*} This tray is not recommended when using a thermostat

Half-Tray Combinations

Half-trays can be installed in any combination enabling both 2 ml-and 6 ml-vials to be used simultaneously.

Numbering of Vial Positions

The standard 100-vial tray has vial positions 1 to 100. However, when using two half-trays, the numbering convention is slightly different. The vial positions of the right-hand half tray begin at position 101 as follows:

Left-hand 40-position tray: 1 - 40

Left-hand 15-position tray: 1-15

Right-hand 40-position tray: 101-140

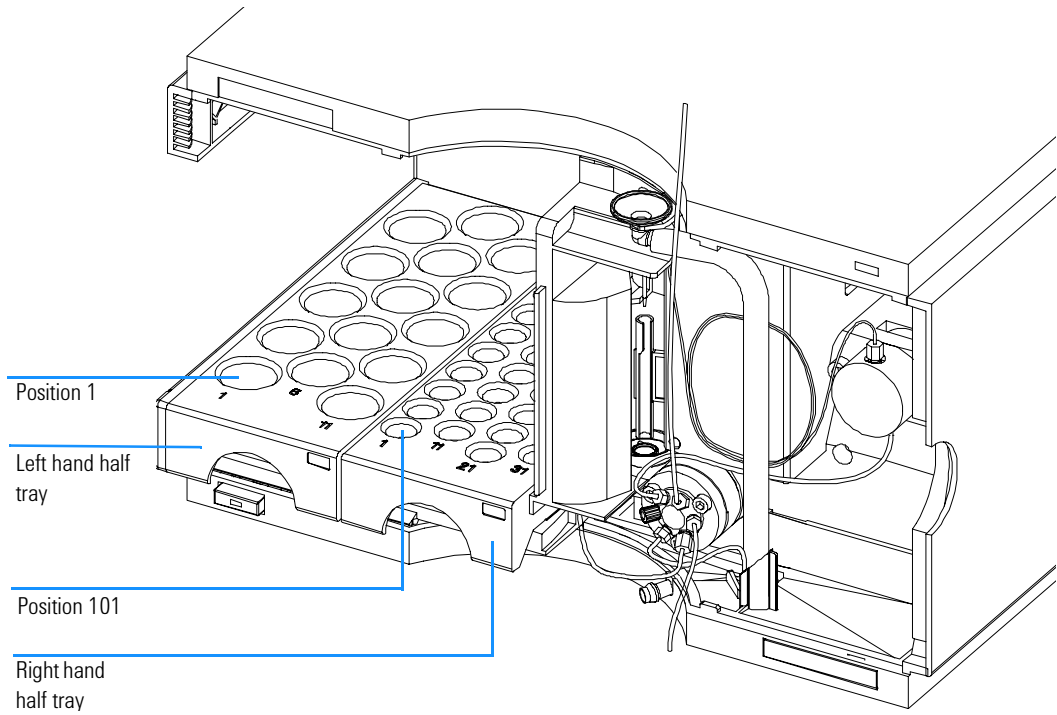
Right-hand 15-position tray: 101-115

Installing the Autosampler

Sample Trays

Figure 12

Numbering of Tray Positions



Choice of Vials and Caps

List of Compatible Vials and Caps

For reliable operation vials used with the Agilent 1100 Series autosampler must not have tapered shoulders or caps that are wider than the body of the vial. The vials in Table 8, Table 9 and Table 10 and caps in Table 11, Table 12 and Table 13 (shown with their Part numbers) have been successfully tested using a minimum of 15,000 injections with the Agilent 1100 Series autosampler.

Table 8

Crimp Top Vials

Description	Volume (ml)	100/Pack	1000/Pack	100/Pack (silanized)
Clear glass	2	5181-3375	5183-4491	
Clear glass, write-on spot	2	5182-0543	5183-4492	5183-4494
Amber glass, write-on spot	2	5182-3376	5183-4493	5183-4495
Polypropylene, wide opening	1	5182-0567		5183-4496
Polypropylene, wide opening	0.3		9301-0978	

Table 9

Snap Top Vials

Description	Volume (ml)	100/Pack	1000/Pack	100/Pack (silanized)
Clear glass	2	5182-0544	5183-4504	5183-4507
Clear glass, write-on spot	2	5182-0546	5183-4505	5183-4508
Amber glass, write-on spot	2	5182-0545	5183-4506	5183-4509

Installing the Autosampler

Choice of Vials and Caps

Table 10

Screw Top Vials

Description	Volume (ml)	100/Pack	1000/Pack	100/Pack (silanized)
Clear glass	2	5182-0714	5183-2067	5183-2070
Clear glass, write-on spot	2	5182-0715	5183-2068	5183-2071
Amber glass, write-on spot	2	5182-0716	5183-2069	5183-2072

Table 11

Crimp Caps

Description	Septa	100/Pack
Silver aluminum	Clear PTFE/red rubber	5181-1210
Silver aluminum	Clear PTFE/red rubber	5183-4498 (1000/Pack)
Blue aluminum	Clear PTFE/red rubber	5181-1215
Green aluminum	Clear PTFE/red rubber	5181-1216
Red aluminum	Clear PTFE/red rubber	5181-1217

Table 12

Snap Caps

Description	Septa	100/Pack
Clear polypropylene	Clear PTFE/red rubber	5182-0550
Blue polypropylene	Clear PTFE/red rubber	5182-3458
Green polypropylene	Clear PTFE/red rubber	5182-3457
Red polypropylene	Clear PTFE/red rubber	5182-3459

Installing the Autosampler

Choice of Vials and Caps

Table 13

Screw Caps

Description	Septa	100/Pack
Blue polypropylene	Clear PTFE/red rubber	5182-0717
Green polypropylene	Clear PTFE/red rubber	5182-0718
Red polypropylene	Clear PTFE/red rubber	5182-0719
Blue polypropylene	Clear PTFE/silicone	5182-0720
Green polypropylene	Clear PTFE/silicone	5182-0721
Red polypropylene	Clear PTFE/silicone	5182-0722

Transporting the Autosampler

When moving the autosampler around the laboratory, no special precautions are needed. However, if the autosampler needs to be shipped to another location via carrier, ensure:

- ❑ The transport assembly is parked (see “Park Arm (Park Gripper)” on page 84);
- ❑ The vial tray is secured.

If the autosampler is to be shipped to another location, the transport assembly must be moved to the park position to prevent mechanical damage should the shipping container be subjected to excessive shock. Also, ensure the vial tray is secured in place with suitable packaging,

Optimizing Performance

How to optimize the autosamplers to achieve best results

Optimizing Performance

Autosamplers are more and more used in HPLC to improve the productivity in the laboratories and the consistency and accuracy of analytical results.

The informations below will help you on how to optimize some parameters to achieve best results for:

- lowest carry-over for reliable quantitative data
- Fast injection cycles for high throughput
- Low delay volume for fast gradient
- Precise injection volume

Optimization for Lowest Carry-over

Several parts of an injection system can contribute to carry-over:

- needle outside
- needle inside
- needle seat
- sample loop
- seat capillary
- injection valve

The autosampler continuous flow-through design ensures that sample loop, needle inside, seat capillary, and the mainpass of the injection valve is always in the flow line. These parts are continuously flushed during an isocratic and also during a gradient analysis. The residual amount of sample remaining on the outside of the needle after injection may contribute to carry-over in some instances. When using small injection volumes or when injecting samples of low concentration immediately after samples of high concentration, carry-over may become noticeable. Using the automated needle wash enables the carry-over to be minimized and prevents also contamination of the needle seat.

Using the Automated Needle Wash

The automated needle wash can be programmed either as “injection with needle wash” or the needle wash can be included into the injector program. When the automated needle wash is used, the needle is moved into a wash vial after the sample is drawn. By washing the needle after drawing a sample, the sample is removed from the surface of the needle immediately.

Uncapped Wash Vial

For best results, the wash vial should contain solvent in which the sample components are soluble, and the vial should not be capped. If the wash vial is capped, small amounts of sample remain on the surface of the septum, which may be carried on the needle to the next sample.

Injector Program with Needle Wash

The injector program includes the command NEEDLE WASH. When this command is included in the injector program, the needle is lowered once into the specified wash vial before injection.

For example:

- 1 DRAW 5 μ l
- 2 NEEDLE WASH vial 7
- 3 INJECT

Line 1 draws 5 μ l from the current sample vial. Line 2 moves the needle to vial 7. Line 3 injects the sample (valve switches to main pass).

Using an Injector Program

The process is based on a program that switches the bypass groove of the injection valve into the flow line for cleaning. This switching event is performed at the end of the equilibration time to ensure that the bypass groove is filled with the start concentration of the mobile phase. Otherwise the separation could be influenced, especially if microbore columns are used.

For example:

- Outside wash of needle before injection: 14 sec. using flush port
- Injector program:
 - Draw x.x (y) μ l from sample
 - Needle wash as method
 - Inject
 - Wait (equilibration time - see text above)
 - Valve bypass
 - Wait 0.2 min
 - Valve mainpass
 - Valve bypass
 - Valve mainpass

NOTE

Overlapped injection together with additional injection valve switching is not possible.

General Recommendation to Lowest Carry-over

- For samples where needle outside cannot be cleaned sufficiently with water or alcohol use wash vials with an appropriate solvent. Using an injector program and several wash vials can be used for cleaning.

In case the needle seat has got contaminated and carry-over is significantly higher than expected, the following procedure can be used to clean the needle seat:

- Go to MORE INJECTOR and set needle to home position.
- Pipette an appropriate solvent on to the needle seat. The solvent should be able to dissolve the contamination. If this is not known use 2 or 3 solvents of different polarity. Use several milliliters to clean the seat.
- Clean the needle seat with a tissue and remove all liquid from it.
- RESET the injector.

Fast Injection Cycle and Low Delay Volume

Short injection cycle times for high sample throughput is one of the main issues in analytical laboratories. Shortening cycle time starts with:

- shortening column length
- high flow rate
- steep gradient

Having optimized these parameters, further reduction of cycle times can be obtained using the overlapped injection mode.

Overlapped Injection Mode

In this process, as soon as the sample has reached the column, the injection valve is switched back to bypass and the next injection cycle starts but waits with switching to mainpass until the actual run is finished. You gain the sample preparation time when using this process.

Switching the valve into the bypass position reduces the system delay volume, the mobile phase is directed to the column without passing sample loop, needle and needle seat capillary. This can help to have faster cycle times especially if low flow rates have to be used like it is mandatory in narrow bore and micro bore HPLC.

NOTE

Having the valve in bypass position can increase the carry-over in the system.

The injection cycle times also depend on the injection volume. In identically standard condition, injecting 100 μl instead of 1 μl , increase the injection time by approximately 8 sec. In this case and if the viscosity of the sample allows it, the draw and eject speed of the injection system has to be increased.

NOTE

For the last injection of the sequence with overlapped injections it has to be considered that for this run the injection valve is not switched as for the previous runs and consequently the injector delay volume is not bypassed. This means the retention times are prolonged for the last run. Especially at

low flow rates this can lead to retention time changes which are too big for the actual calibration table. To overcome this it is recommended to add an additional “blank” injection as last injection to the sequence.

General Recommendations for Fast Injection Cycle Times

As described in this section, the first step to provide short cycle times are optimizing the chromatographic conditions. If this is done the autosampler parameter should be set to:

- Overlapped injection mode
- Increase of draw and eject speed for large injection volumes
- Add at last run a blank, if overlapped injection is used

To reduce the injection time, the detector balance has to be set to OFF.

Precise Injection Volume

Injection Volumes Less Than 2 μl

When the injection valve switches to the BYPASS position, the mobile phase in the sample loop is depressurized. When the syringe begins drawing sample, the mobile phase is further subjected to decreasing pressure. If the mobile phase is not adequately degassed, small gas bubbles may form in the sample loop during the injection sequence. When using injection volumes $< 2 \mu\text{l}$, these gas bubbles may affect the injection-volume precision. For best injection-volume precision with injection volumes $< 2 \mu\text{l}$, use of the Agilent 1100 Series degasser is recommended to ensure the mobile phase is adequately degassed. Also, using the automated needle wash (see “Optimization for Lowest Carry-over” on page 41) between injections reduces carry-over to a minimum, improving injection-volume precision further.

Draw and Eject Speed

Draw Speed

The speed at which the metering unit draws sample out of the vial may have an influence on the injection volume precision when using viscous samples. If the draw speed is too high, air bubbles may form in the sample plug, affecting precision. The default draw speed is 200 $\mu\text{l}/\text{min}$ for the autosampler, 4 $\mu\text{l}/\text{min}$ for the micro autosampler and 1000 $\mu\text{l}/\text{min}$ for the preparative autosampler. This speed is suitable for the majority of applications, however, when using viscous samples, set the draw speed to lower speed for optimum results. A “DRAW” statement in an injector program also uses the draw speed setting which is configured for the autosampler.

Eject Speed

The default eject speed setting is 200 $\mu\text{l}/\text{min}$ for the autosampler, 10 $\mu\text{l}/\text{min}$ for the micro autosampler and 1000 $\mu\text{l}/\text{min}$ for the preparative autosampler. When using large injection volumes, setting the eject speed to a higher value speeds up the injection cycle by shortening the time the metering unit requires to eject solvent at the beginning of the injection cycle (when the plunger returns to the home position).

An “EJECT” statement in an injector program also uses the eject speed setting which is configured for the autosampler. A faster eject speed shortens

Optimizing Performance

Precise Injection Volume

the time required to run the injector program. When using viscous samples, a high eject speed should be avoided.

Choice of Rotor Seal

Vespel™ Seal (for standard and micro valves only)

The standard seal has sealing material made of Vespel. Vespel is suitable for applications using mobile phases within the pH range of 2.3 to 9.5, which is suitable for the majority of applications. However, for applications using mobile phases with pH below 2.3 or above 9.5, the Vespel seal may degrade faster, leading to reduced seal lifetime.

Tefzel™ Seal (for standard valve only)

For mobile phases with pH below 2.3 or above 9.5, or for conditions where the lifetime of the Vespel seal is drastically reduced, a seal made of Tefzel is available (see “Injection-Valve Assembly” on page 168). Tefzel is more resistant than Vespel to extremes of pH, however, is a slightly *softer* material. Under normal conditions, the expected lifetime of the Tefzel seal is shorter than the Vespel seal, however, Tefzel may have the longer lifetime under more extreme mobile phase conditions.

PEEK Seal (for preparative injection valve only)

The preparative injection valve has a sealing material made of PEEK. This material has high chemical resistance and versatility. It is suitable for application using mobile phases within a pH between 1 and 14.

NOTE

Strong oxidizing acids such as concentrated nitric and sulfuric acids are not compatible with PEEK.

Troubleshooting and Test Functions

The modules built-in troubleshooting and test functions

Troubleshooting and Test Functions

Status Indicators

The autosamplers are provided with two status indicators which indicate the operational state (prerun, run, and error states) of the instrument. The status indicators provide a quick visual check of the operation of the autosampler (see “Status Indicators” on page 51).

Error Messages

In the event of an electronic, mechanical or hydraulic failure, the instrument generates an error message in the user interface. For each message, a short description of the failure, a list of probable causes of the problem, and a list of suggested actions to fix the problem are provided (see “Error Messages” on page 53).

Maintenance Functions

The maintenance functions position the needle arm, gripper assembly, and metering device for easy access when doing maintenance (see “Maintenance Functions” on page 80).

Tray Alignment

Tray alignment is required after repair of internal components, or after a firmware update. The procedure aligns the gripper arm correctly to ensure the positioning of the gripper arm is correct for all vials (see “Tray Alignment” on page 87).

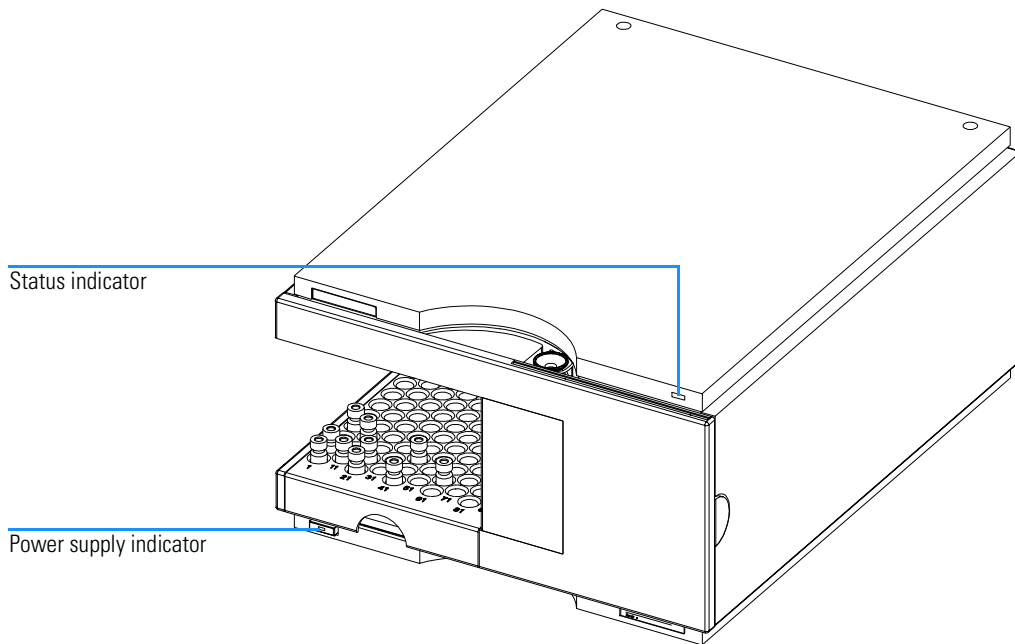
Step Commands

The step functions provide the possibility to execute each step of the sampling sequence individually. The step functions are used primarily for troubleshooting, and for verification of correct autosampler operation after repair (see “Step Commands” on page 89).

Status Indicators

Two status indicators are located on the front of the autosampler. The lower left indicates the power supply status, the upper right indicates the autosampler status.

Figure 13 **Location of Status Indicators**



Power Supply Indicator

The power supply indicator is integrated into the main power switch. When the indicator is illuminated (*green*) the power is ON.

Instrument Status Indicator

The instrument status indicator indicates one of four possible instrument conditions:

- When the status indicator is *OFF* (and power switch light is on), the instrument is in a *prerun* condition, and is ready to begin an analysis.
- A *green* status indicator, indicates the instrument is performing an analysis (*run mode*).
- A *yellow* indicator indicates a *not-ready* condition. The instrument is in a not-ready state when it is waiting for a specific condition to be reached or completed (for example, front cover not installed), or while a self-test procedure is running.
- An *error* condition is indicated when the status indicator is *red*. An error condition indicates the instrument has detected an internal problem which affects correct operation of the instrument. Usually, an error condition requires attention (for example, leak, defective internal components). An error condition always interrupts the analysis.

Error Messages

Error messages are displayed in the user interface when an electronic, mechanical, or hydraulic (flow path) failure occurs which requires attention before the analysis can be continued (for example, repair, exchange of consumables is necessary). In the event of such a failure, the red status indicator at the front of the module is switched on, and an entry is written into the instrument log book.

This section describes the meaning of autosampler error messages, and provides information on probable causes and suggested actions how to recover from error conditions.

Timeout

The timeout threshold was exceeded.

Probable Causes

- The analysis was completed successfully, and the timeout function switched off the pump as requested.
- A not-ready condition was present during a sequence or multiple-injection run for a period longer than the timeout threshold.

Suggested Actions

- ❑ Check the logbook for the occurrence and source of a not-ready condition. Restart the analysis where required.

Shutdown

Shutdown

An external instrument has generated a shut-down signal on the remote line.

The autosampler continually monitors the remote input connectors for status signals. A LOW signal input on pin 4 of the remote connector generates the error message.

Probable Causes

- Leak detected in an external instrument with a remote connection to the system.
- Shut-down in an external instrument with a remote connection to the system.
- The degasser failed to generate sufficient vacuum for solvent degassing.

Suggested Actions

- Fix the leak in the external instrument before restarting the autosampler.
- Check external instruments for a shut-down condition.
- Check the degasser for an error condition. Refer to the *Reference Manual* for the Agilent 1100 Series degasser.

Remote Timeout

A not-ready condition is still present on the remote input.

When an analysis is started, the system expects all not-ready conditions (e.g. a not-ready condition during detector balance) to switch to run conditions within one minute of starting the analysis. If a not-ready condition is still present on the remote line after one minute the error message is generated.

Probable Causes

- Not-ready condition in one of the instruments connected to the remote line.
- Defective remote cable.
- Defective components in the instrument showing the not-ready condition.

Suggested Actions

- Ensure the instrument showing the not-ready condition is installed correctly, and is set up correctly for analysis.
- Exchange the remote cable.
- Check the instrument for defects (refer to the instrument's reference documentation).

Synchronization Lost

During an analysis, the internal synchronization or communication between one or more of the modules in the system has failed.

The system processors continually monitor the system configuration. If one or more of the modules is no longer recognized as being connected to the system, the error message is generated.

Probable Causes

- CAN cable disconnected.
- Defective CAN cable.
- Defective main board in another module.

Suggested Actions

- Ensure all the CAN cables are connected correctly.
- Switch off the system. Restart the system, and determine which module or modules are not recognized by the system.
- Ensure all CAN cables are installed correctly.

Leak

A leak was detected in the autosampler.

The signals from the two temperature sensors (leak sensor and board-mounted temperature-compensation sensor) are used by the leak algorithm to determine whether a leak is present. When a leak occurs, the leak sensor is cooled by the solvent. This changes the resistance of the leak sensor which is sensed by the leak-sensor circuit on the ASM board.

Probable Causes

- Loose fittings.
- Broken capillary.
- Leaking rotor seal or needle seat.
- Defective metering seal.

Suggested Actions

- Ensure all fittings are tight.
- Exchange defective capillaries.
- Exchange the rotor seal or seat capillary.
- Exchange the metering seal.

Leak Sensor Open

The leak sensor in the autosampler has failed (open circuit).

The current through the leak sensor is dependent on temperature. A leak is detected when solvent cools the leak sensor, causing the leak-sensor current to change within defined limits. If the current falls outside the lower limit, the error message is generated.

Probable Causes

- Leak sensor not connected to the ASM board.
- Defective leak sensor.

Suggested Actions

- Ensure the leak sensor is connected correctly.
- Exchange the leak sensor.

Leak Sensor Short

The leak sensor in the autosampler has failed (short circuit).

The current through the leak sensor is dependent on temperature. A leak is detected when solvent cools the leak sensor, causing the leak-sensor current to change within defined limits. If the current increases above the upper limit, the error message is generated.

Probable Causes

- Defective leak sensor.

Suggested Actions

- Exchange the leak sensor.

Compensation Sensor Open

The ambient-compensation sensor (NTC) on the ASM board in the autosampler has failed (open circuit).

The resistance across the temperature compensation sensor (NTC) on the ASM board is dependent on ambient temperature. The change in resistance is used by the leak circuit to compensate for ambient temperature changes. If the resistance across the sensor increases above the upper limit, the error message is generated.

Probable Causes

- Defective ASM board.

Suggested Actions

- Exchange the ASM board.

Compensation Sensor Short

The ambient-compensation sensor (NTC) on the ASM board in the autosampler has failed (short circuit).

The resistance across the temperature compensation sensor (NTC) on the ASM board is dependent on ambient temperature. The change in resistance is used by the leak circuit to compensate for ambient temperature changes. If the resistance across the sensor falls below the lower limit, the error message is generated.

Probable Causes

- Defective ASM board.

Suggested Actions

- Exchange the ASM board.

Fan Failed

The cooling fan in the autosampler has failed.

The hall sensor on the fan shaft is used by the ASM board to monitor the fan speed. If the fan speed falls below 2 revolutions/second for longer than 5 seconds, the error message is generated.

Probable Causes

- Fan cable disconnected.
- Defective fan.
- Defective ASM board.

Suggested Actions

- Ensure the fan is connected correctly.
- Exchange fan.
- Exchange the ASM board.

Open Cover

The top foam has been removed.

The sensor on the ASM board detects when the top foam is in place. If the foam is removed, the fan is switched off, and the error message is generated.

Probable Causes

- The top foam was removed during operation.
- Foam not activating the sensor.
- Sensor defective.

Suggested Actions

- Replace the top foam.
- Exchange the ASM board.

Restart Without Cover

The autosampler was restarted with the top cover and foam open.

The sensor on the ASM board detects when the top foam is in place. If the autosampler is restarted with the foam removed, the autosampler switches off within 30 s, and the error message is generated.

Probable Causes

- autosampler started with the top cover and foam removed.

Suggested Actions

- Replace the top cover and foam.

Arm Movement Failed

The transport assembly was unable to complete a movement in one of the axes.

The processor defines a certain time window for the successful completion of a movement in any particular axis. The movement and position of the transport assembly is monitored by the encoders on the stepper motors. If the processor does not receive the correct position information from the encoders within the time window, the error message is generated.

See figure “Transport Assembly” on page 210 for axes identification.

Arm Movement 0 Failed: X-axis.

Arm Movement 1 Failed: Z-axis.

Arm Movement 2 Failed: Theta (gripper rotation).

Arm Movement 3 Failed: Gripper (gripper fingers open/close).

Probable Causes

- Mechanical obstruction.
- High friction in transport assembly.
- Defective motor assembly.
- Defective transport assembly flex board.
- Defective ASM board.

Suggested Actions

- Ensure unobstructed movement of the transport assembly.
- Exchange the transport assembly.
- Exchange the ASM board.

Valve to Bypass Failed

The injection valve failed to switch to the bypass position.

The switching of the injection valve is monitored by two microswitches on the valve assembly. The switches detect the successful completion of the valve movement. If the valve fails to reach the bypass position, or if the microswitch does not close, the error message is generated.

Probable Causes

- Defective injection valve.
- Defective ASM board.

Suggested Actions

- Exchange the injection valve.
- Exchange the ASM board.

Valve to Mainpass Failed

The injection valve failed to switch to the mainpass position.

The switching of the injection valve is monitored by two microswitches on the valve assembly. The switches detect the successful completion of the valve movement. If the valve fails to reach the mainpass position, or if the microswitch does not close, the error message is generated.

Probable Causes

- Defective injection valve.
- Defective ASM board.

Suggested Actions

- Exchange the injection valve.
- Exchange the ASM board.

Needle Up Failed

The needle arm failed to move successfully from the seat or out of the vial to the upper position.

The upper position of the needle arm is monitored by a position sensor on the sampling unit flex board. The sensor detects the successful completion of the needle movement to the upper position. If the needle fails to reach the end point, or if the sensor fails to recognize the needle arm movement, the error message is generated.

Probable Causes

- Defective or dirty position sensor.
- Defective motor.
- Sticking spindle assembly.
- Defective ASM board.

Suggested Actions

- Exchange the sampling unit flex board.
- Exchange the needle drive motor.
- Exchange the spindle assembly or sampling unit assembly.
- Exchange ASM board.

Needle Down Failed

The needle arm failed to move down into the needle seat.

The lower position of the needle arm is monitored by a position sensor on the sampling unit flex board. The sensor detects the successful completion of the needle movement to the needle seat position. If the needle fails to reach the end point, or if the sensor fails to recognize the needle arm movement, the error message is generated.

Probable Causes

- Needle installed incorrectly, or wrong needle type (too long).
- Defective or dirty position sensor.
- Defective motor.
- Sticking spindle assembly.
- Defective ASM board.

Suggested Actions

- Ensure the correct needle type is used, and installed correctly.
- Exchange the sampling unit flex board.
- Exchange the needle drive motor.
- Exchange the spindle assembly or sampling unit assembly.
- Exchange the ASM board.

Missing Vial

No vial was found in the position defined in the method or sequence.

When the gripper arm picks a vial out of the sample tray, the processor monitors the gripper motor encoder. If a vial is present, the closing of the gripper fingers is limited by the vial. However, if no vial is present, the gripper fingers close too far. This is sensed by the processor (encoder position), causing the error message to be generated.

Probable Causes

- No vial in the position defined in the method or sequence.
- Incorrect gripper alignment.
- Defective gripper assembly (defective gripper fingers or belt).
- Defective transport assembly flex board.

Suggested Actions

- Install the sample vial in the correct position, or edit the method or sequence accordingly.
- Align gripper.
- Exchange the gripper assembly.
- Exchange the transport assembly.

Initialization Failed

The autosampler failed to complete initialization correctly.

The autosampler initialization procedure moves the needle arm and transport assembly to their home positions in a predefined sequence. During initialization, the processor monitors the position sensors and motor encoders to check for correct movement. If one or more of the movements is not successful, or is not detected, the error message is generated.

Probable Causes

- Mechanical obstruction.
- Defective sampling unit flex board.
- Defective transport assembly flex board.
- Defective sampling unit motor.
- Defective ASM board.

Suggested Actions

- Ensure unobstructed movement of the transport assembly.
- Exchange the defective sampling unit motor.
- Exchange the transport assembly.
- Exchange the ASM board.

Metering Home Failed

The metering plunger has failed to move back to the home position.

The home position sensor on the sampling unit flex board monitors the home position of the plunger. If the plunger fails to move to the home position, or if the sensor fails to recognize the plunger position, the error message is generated.

Probable Causes

- Dirty or defective sensor.
- Broken plunger.
- Defective metering-drive motor.
- Defective ASM board.

Suggested Actions

- Exchange the sampling unit flex board.
- Exchange the metering plunger and seal.
- Exchange the metering-drive motor.
- Exchange the ASM board.

Motor Temperature

One of the motors of the transport assembly has drawn excessive current, causing the motor to become too hot. The processor has switched off the motor to prevent damage to the motor.

See figure “Transport Assembly” on page 210 for motor identification.

Motor 0 temperature: X-axis motor.

Motor 1 temperature: Z-axis motor.

Motor 2 temperature: Theta (gripper rotation) motor.

Motor 3 temperature: Gripper motor (motor for gripper fingers).

The processor monitors the current drawn by each motor and the time the motor is drawing current. The current drawn by the motors is dependent on the load on each motor (friction, mass of components etc.). If the current drawn is too high, or the time the motor draws current is too long, the error message is generated.

Probable Causes

- Mechanical obstruction.
- High friction in the transport assembly.
- Motor belt tension too high.
- Defective motor.
- Defective transport assembly flex board.

Suggested Actions

- Switch off the autosampler at the power switch. Wait at least 10 minutes before switching on again.
- Ensure unobstructed movement of the transport assembly.
- Exchange the transport assembly.

Initialization with Vial

The autosampler attempted to initialize with a vial still in the gripper.

During initialization, the autosampler checks correct operation of the gripper by closing and opening the gripper fingers while monitoring the motor encoder. If a vial is still in the gripper when initialization is started, the gripper fingers cannot close causing the error message to be generated.

Probable Causes

- Vial still in gripper.

Suggested Actions

- ❑ Remove the vial using the “Release Vial” function in the user interface. Reinitialize the autosampler.

Safety Flap Missing

The safety flap was not detected.

Before the needle moves down into the needle seat to inject sample, the safety flap locks into position. Next, and the gripper checks the safety flap by trying to move the safety flap away from the needle. If the gripper is able to move beyond the safety flap position (safety flap not in position), the error message is generated.

Probable Causes

- Safety flap missing or broken.

Suggested Actions

- Exchange the safety flap.

Vial in Gripper

The gripper arm attempted to move with a vial still in the gripper.

During specific stages of the sampling sequence, no vial should be held by the gripper. The autosampler checks if a sample vial is stuck in the gripper by closing and opening the gripper fingers while monitoring the motor encoder. If the gripper fingers are unable to close, the error message is generated.

Probable Causes

- Vial still in gripper.

Suggested Actions

- ❑ Remove the vial using the “Release Vial” function in the user interface. Reinitialize the autosampler.

Missing Wash Vial

The wash vial programmed in the method was not found.

When the gripper arm picks a vial out of the sample tray, the processor monitors the gripper motor encoder. If a vial is present, the closing of the gripper fingers is limited by the vial. However, if no vial is present, the gripper fingers close too far. This is sensed by the processor (encoder position), causing the error message to be generated.

Probable Causes

- No wash vial in the position defined in the method.

Suggested Actions

- Install the wash vial in the correct position, or edit the method accordingly.

Invalid Vial Position

The vial position defined in the method or sequence does not exist.

The reflection sensors on the transport assembly flex board are used to check automatically which sample trays are installed (coding on tray). If the vial position does not exist in the current sample tray configuration, the error message is generated.

Probable Causes

- Incorrect tray or trays installed.
- Incorrect vial positions defined in the method or sequence.
- Tray recognition defective (dirty sample tray or defective transport assembly flex board).

Suggested Actions

- Install the correct trays, or edit the method or sequence accordingly.
- Ensure the coding surfaces of the sample tray are clean (located at the rear of the sample tray).
- Exchange the transport assembly.

Maintenance Functions

Certain maintenance procedures require the needle arm, metering device, and gripper assembly to be moved to specific positions to enable easy access to components. The maintenance functions move these assemblies into the appropriate maintenance position. In the ChemStation the ALS maintenance positions can be selected from the Maintenance menu in the Diagnosis display. In the Control Module the functions can be selected in the Test screens of the autosampler.

User Interface

The functions for the ChemStation and Control Module (different names for functions in the Control Module are shown in brackets) are:

Change Needle: moves the safety flap away from the needle, and positions the needle arm for easy access to the needle and needle seat.

Change Piston: relieves the tension on the metering spring (draws the piston to the outer position), enabling easy disassembly of the metering head assembly).

Park Arm

(Park Gripper): secures the gripper arm to the park position behind the sampling unit. ready for transport or shipping of the autosampler.

Home: moves the tray arm to its home position for better access and exchange of the trays.

Change

Gripper: The change gripper function moves the gripper to the front of the autosampler enabling easy access to the gripper release mechanism.

Change Needle

WARNING

For needle exchange, the needle arm moves down automatically when the front cover is removed. To avoid personal injury, keep fingers away from the needle area during needle movement.

The change-needle/seat function moves the safety flap out of position, and positions the needle for easy exchange and alignment of the needle and needle seat.

User Interface

The commands for the ChemStation and Control Module (different names for the commands in the Control Module are shown in brackets) are:

NOTE

The autosampler front cover must be in place when “Start” and “End” are selected.

Start (Change) Moves the safety flap away from the needle, and positions the needle approximately 15 mm above the needle seat.

Needle Up (Up Arrow) Press function key couple of times to move the needle arm up in 2 mm steps.

Needle Down (Down Arrow) Press function key couple of times to move the needle arm down in 2 mm steps. The lowest position (“end position”) is used to align the needle at the correct position in the needle seat.

End (Done) Completes the procedure by moving the gripper arm to the home position, and releasing the safety flap.

Using the Change Needle Function

- 1 Ensure the front cover is installed.
- 2 Select “Start” (“Change”) to move the needle arm to the maintenance position.

Change Needle

- 3 Remove the front cover.

NOTE

Do not remove the front cover until the needle arm is in its maintenance position. Removing the cover while the needle arm is activated may lock up the system.

- 4 Exchange the needle or needle seat (see “Needle-Seat Assembly” on page 111 and “Needle Assembly” on page 108).
- 5 Replace the front cover.
- 6 Select “End” (“Done”) to complete the procedure.

Change Piston

The change-piston function draws the piston away from the home position, relieving the tension on the spring. In this position, the analytical head assembly can be removed and reinstalled easily after maintenance.

User Interface

The commands for the ChemStation and Control Module (different names for commands in the Control Module are shown in brackets) are:

Start (Change) Draws the piston away from the home position, relieving the tension on the spring.

End (Done) Repositions the plunger at the home position.

Using the Change Seal Function

- 1 Select "Start" ("Change") to move the piston to the maintenance position.
- 2 Exchange the metering seal (see "Gripper Arm" on page 123).
- 3 Select "End" ("Done") to move the piston back to the home position.

Park Arm (Park Gripper)

CAUTION

Before transporting or shipping the autosampler, always secure the arm in the park position.

In order to prevent mechanical damage to the transport mechanism during transport, the gripper arm should be moved into the park position. The park arm function moves the gripper and transport slider to the home position behind the sampling unit, and lowers the gripper arm into the park position where the transport assembly is secured against a mechanical stop. The autosampler can be switched off after parking the arm.

NOTE

Before parking the gripper arm, ensure there is no vial in the gripper. Use the “Release Gripper” function to remove the vial.

User Interface

In the ChemStation the Park Arm command is part of the ALS maintenance positions that can be selected from the Maintenance menu in the Diagnosis display. In the Control Module the Park Gripper command is located in the Control display of the autosampler.

The commands for the ChemStation and Control Module (different names for commands in the Control Module are shown in brackets) are:

Park Arm

(Park Gripper) moves the gripper arm to the park position.

Home

moves the gripper arm out of the park position to the home position.

Using the Park Arm Function

- 1 Select “Park Arm” (“Park Gripper”).
- 2 When the arm is in the park position, the autosampler is ready for shipment, and can be switched off.

Change Gripper (Change Arm)

The change gripper function moves the gripper to the front of the autosampler enabling easy access to the gripper release mechanism.

User Interface

The commands for the ChemStation and Control Module (different names for commands in the Control Module are shown in brackets) are:

Start (Change) Moves the transport assembly and gripper arm to the position required to change the gripper arm.

End (Done) Repositions the transport assembly and gripper arm to the home position.

Using the Change Seal Function

- 1 Select “Start” (“Change”) to move the gripper arm to the maintenance position.
- 2 Exchange the gripper arm (see “Gripper Arm” on page 123).
- 3 Select “End” (“Done”) to move the gripper arm to the home position.

Change Gripper (Change Arm)

NOTE

When the autosampler is switched on again, the arm is initialized, and moves out of the park position to the home position automatically. No other action is required to prepare the autosampler for use.

Tray Alignment

Tray alignment is required to compensate for small deviations in positioning of the gripper which may occur after disassembling the module for repair.

The tray alignment procedure uses several tray positions as reference points. Because the tray is a rectangle, a two-point alignment is sufficient to corrects all other vial positions within the tray. On completion of the procedure, the corrected gripper positions are stored in the instrument firmware.

NOTE

The alignment procedure requires an 1100 Control Module G1323B with firmware revision B.02.02 or higher. The screen with the alignment dialog box can be found under the menus **Views/System/Tests/Autosampler**. The alignment procedure must be done with the standard 100-position vial tray installed.

WARNING

The alignment procedure has to be performed in the correct order and without skipping parts, to ensure a proper working Autosampler.

User Interface

In the Control Module the “Align Tray” function is located in the Control display of the autosampler.

Additional information can be found in the on-line information systems.

The correct procedure for the Control Module are:

- 1 Set alignment to factory default:
 - Go to **Align/Tray** and press button **Default**.
 - Go to **Align/Transport** and press button **Default**.
 - Wait while the Autosampler performs a reset and go back to

Tray Alignment

Align/Transport.

- 2 Put capped vials into positions #15 and #95 of the 100-vial tray.
- 3 Move the gripper arm to position of vial #15. Use the **Enter** key to hit **Goto Vial**.
- 4 Use the **Arm down** key(F2) to move the fingers as close as possible to the top of the vial, without the gripper fingers touching the vial.
- 5 Use the Up and Down arrow keys for Theta correction (rotational movement).
- 6 Use the Left and Right arrow keys for X-position correction (horizontal movement).
- 7 Open the gripper (F4) and move it further down for about 5 mm in such a way that vial cap and rubber of gripper fingers have the same height.
- 8 Visually re evaluate if the vial is in the center of the gripper fingers and correct X- and Theta position accordingly.
- 9 Press the **Enter** key to hit **Next Vial**; enter vial #95 and press **Goto Vial**.
- 10 Repeat steps 4 to 8 to align the gripper at position #95.
- 11 Press button Average (F8) to balance the alignment.
- 12 Press button Done (F6) to store the alignment permanently in non-volatile memory and to reset the module.
- 13 To check the result go back to the alignment dialog box, move to vial position #15 and #95 to see if the alignment is acceptable.

NOTE

To leave the alignment screen without changes use the **Esc** key.

NOTE

The result can be a compromise e.g. if the X position at #15 and #95 are off to the same side, then it is OK. However, if at both positions the correction still should be in one direction or, if the failure in one position is larger than the other, you must restart the alignment procedure with step 3. The same goes for the Theta correction.

Step Commands

Each movement of the sampling sequence can be done under manual control. This is useful during troubleshooting where close observation of each of the sampling steps is required to confirm a specific failure mode or verify successful completion of a repair.

Each injector step command actually consists of a series of individual commands which move the autosampler components to predefined positions enabling the specific step to be done.

In the ChemStation the step commands can be selected from the “Test Selection Box” in the Diagnosis display. In the Control Module the step commands can be accessed from the pull-down menu in the autosampler “Test”.

Step Commands

Table 14

Injector Step Commands		
Step	Action	Comments
Bypass	Switches injection valve to the bypass position.	
Plunger Home	Moves the plunger to the home position.	
Needle Up	Lifts the needle arm to the upper position.	Command also switches the valve to bypass if it is not already in that position.
Vial to Seat	Moves the selected vial to the seat position.	Command also lifts the needle to the upper position.
Needle into Vial	Lowers the needle into the vial.	Command also positions the vial at the seat, and lifts the needle to the upper position.
Draw	Metering device draws the defined injection volume.	Command also positions the vial at the seat, lifts the needle, and lowers the needle into vial. Command can be done more than once (maximum draw volume of 100µl cannot be exceeded). Use "Plunger Home" to reset the metering device.
Needle Up	Lifts the needle out of the vial.	Command also switches the valve to bypass if it is not already in that position.
Vial to Tray	Returns the selected vial to the tray position.	Command also lifts the needle to the upper position.
Needle into Seat	Lowers the needle arm into the seat.	Command also returns the vial to the tray position.
Mainpass	Switches the injection valve to the mainpass position.	

Step Commands

Table 14

Injector Step Commands, continued		
Step	Action	Comments
Needle Up/Mainpass	Lifts the needle arm to the upper position and Switches the injection valve to the mainpass position.	Command available from Control Module only.

Troubleshooting

If the autosampler is unable to perform a specific step due to a hardware failure, an error message is generated. You can use the injector steps to do the injection sequence, while observing how the instrument responds. Table 15 summarizes the injector steps, and lists the associated error messages and probable causes of step failures.

Table 15

Step Failures	
Step Function	Probable Failure Modes
Bypass	Valve already in bypass. Valve not connected. Defective injection valve.
Plunger Home	Defective or dirty sensor on the sampling-unit flex board. Defective metering-drive motor.
Needle Up	Needle already in the upper position. Defective or dirty sensor on the sampling-unit flex board. Sticking needle-arm assembly. Defective needle-drive motor.
Vial to Seat	No vial in selected position. Vial already in seat position. Defective transport assembly motors. Sticking transport assembly. Defective gripper assembly. Gripper not aligned (see page 87).

Table 15

Step Failures, continued

Step Function	Probable Failure Modes
Draw	Sum of all draw volumes exceeds 100µl. Defective metering-drive motor.
Needle Up	Needle already in the upper position. Needle already in the upper position. Defective or dirty sensor on the sampling-unit flex board. Sticking needle-arm assembly. Defective needle-drive motor.
Vial to Tray	Defective transport assembly motors. Sticking transport assembly. Defective gripper assembly. Gripper not aligned (see page 87).
Needle Down	Needle already in the lower position. Defective or dirty sensor on the sampling-unit flex board. Sticking needle-arm assembly. Defective needle-drive motor.
Mainpass	Valve already in mainpass. Valve not connected. Defective injection valve.
Needle Up/Mainpass	Blockage in the sample loop or needle (no solvent flow). Needle already in the upper position. Defective or dirty sensor on the sampling-unit flex board. Sticking needle-arm assembly. Defective needle-drive motor.Valve already in mainpass. Valve not connected. Defective injection valve.

Troubleshooting Guide for the Sample Transport Assembly

This troubleshooting guide is meant to help you diagnose and repair autosampler problems.

In general, autosampler problems can be divided into three categories.

1 Intermittent lock-ups with or without vial in the gripper fingers with error messages

- motor overtemp (0 or 1 or 2 or 3)
- movement failed (0 or 1 or 2 or 3)
- missing vial

Many times the sampler is being used very heavily.

2 Jittery (shaky) movement in X and/or theta axes and/or when the needle goes through the gripper arm into the vial with error messages

- motor overtemp (0 or 2)
- movement failed (0 or 2)

3 Poor alignment, seen during vial pickup and vial replacement and/or when the needle hits the gripper arm with error messages

- motor overtemp (0 or 2 or 3)
- movement failed (0 or 2 or 3)
- missing vial

NOTE

Motor 0=X; 1=Z; 2=Theta; 3=Gripper.

Intermittent lock-ups with or without vial in the gripper fingers

With error messages

- motor overtemp (0 or 1 or 2 or 3)
- movement failed (0 or 1 or 2 or 3)
- missing vial

NOTE

When a motor over temperature message has occurred, the sampler must be turned off for about 10 minutes to allow the motor to cool down.

Step 1

Check the firmware and update to the latest revision if necessary.

Since firmware revision A.03.61 (resident A03.60) most “movement failed”, “motor over temp”, “initialization failed (X-axis)” errors are solved.

Step 2

Check the vials and the caps.

For reliable operation, vials used with the 1100 Autosampler must not have tapered shoulders or caps that are wider than the body of the vial. For more details see the service note G1313-017.

Step 3

Very heavy usage - use a macro.

A pre-sequence macro, **QMBUVHW_PDF** will automatically reset the sampler at the start of a sequence (ChemStation).

Step 4

Check if the “INJECT” line is used in the “Injector Program”.

Remove this line from the program. In this mode the system does not need this command to do the injection. A firmware revision (>3.81) will address this problem. For more details see the service note G1313-018.

Step 5

Reset the sampler alignment to default value.

Reset tray alignment, and transport alignment is possible with the Control Module and the ChemStation. To reset the transport alignment with the ChemStation, enter following command in the command line. Print `sendmodule$(Ials, “tray:alig 0.00,0.00”)`

Intermittent lock-ups with or without vial in the gripper fingers

Step 6

Check the tension of the belts.

For this use the **Torque2.mac** and measure the torque for each axis.

Typical ranges	Theta (both) 30-50
	X-axis (both) 50-90
	Z-axis (both) 90-130
	Gripper open 30-65
	Gripper closed maximum 30

NOTE

If the Gripper open/closed torque is not in the range, proceed with STEP 7. If the theta or X torque is not in the range, proceed with STEP 8 (if you think you can adjust the torque), otherwise proceed with STEP 9.

Step 7

Exchange the gripper arm assembly (part number G1313-60010).

Step 8

Adjust the belt tension.

- If the measured torque value is too low, the belt needs to be tightened.
- If the measured torque value is too high, the belt needs to be loosened.

For this, slide the motor (X or theta) on the holder bracket in the appropriate direction and test the tension with the **torque2** macro. Repeat this steps until the values are in the appropriate torque range.

Step 9

Exchange the sample transport assembly (part number G1313-60009 or G1329-60009).

Step 10

Exchange the main board (part number G1313-69520 or G1329-69520).

Jittery (shaky) movement in X and or theta axes and/or when the needle goes through the gripper arm into the via

Jittery (shaky) movement in X and or theta axes and/or when the needle goes through the gripper arm into the via

With Error messages

- motor overtemp (0 or 2)
- movement failed (0 or 2)

NOTE

When a motor over temperature message has occurred, the sampler must be turned off for about 10 minutes to allow the motor to cool down.

Step 1

Check the firmware and update to the latest revision if necessary.

Since firmware revision A.03.61 (resident A03.60) most of following errors “movement failed”, “motor over temp” and “initialization failed (X-axis)” are solved.

Step 2

Check the cleanliness of the transport rods (X-axis) and clean them.

If the rod is dirty or sticky, clean it with Isopropanol and wipe it with a lint free cloth. The rod can be lubricated with the following synthetic oil: part number 6040-0854.

NOTE

DO NOT use other lubricant as mentioned above.

Step 3

Lubricate the X-gear.

Friction can result in the belt slipping on the gear so that the position of the belt teeth towards the gear changes.

To avoid this, apply some grease from the sample transport repair kit to the X-motor-gear.

NOTE

Do not use other grease as the one in the kit and carefully follow the instruction from the technical note.

Jittery (shaky) movement in X and or theta axes and/or when the needle goes through the gripper arm into the via

Step 4

Check the tension of the belts.

For this use the **Macro2.mac** and measure the torque for theta and X-axis.

Typical ranges	Theta (both) 30-50
	X-axis (both) 50-90

- If the theta or X torque is not in the range, proceed with STEP 5 (if you think you can adjust the torque). Otherwise proceed with STEP 7.

Step 5

Adjust the belts tension.

- If the measured torque value is too low, the belt needs to be tightened.
- If the measured torque value is too high, the belt needs to be loosened.

For this, slide the motor (X or theta) on the holder bracket in the appropriate direction and test the tension with the **Torque2.mac** macro. Repeat this steps until the values are in the appropriate torque range.

Step 6

Reset the sampler alignments to default value.

Reset tray alignment, and transport alignment is possible with the Control Module and the Chemstation. To reset the transport alignment with the Chemstation enter following command in the command line.

Print sendmodule\$(lals, "tray:alig 0.00,0.00")

Step 7

Exchange the sample transport assembly (part number G1313-60009 or G1329-60009).

Step 8

Exchange the main board (part number G1313-69520 or G1329-69520).

Poor alignment, seen during vial pickup and vial replacement and/or when the needle hits the gripper arm

Poor alignment, seen during vial pickup and vial replacement and/or when the needle hits the gripper arm

With Error messages

- motor overtemp (0 or 2 or 3)
- movement failed (0 or 2 or 3)

NOTE

When a motor over temperature message has occurred, the sampler must be turned off for about 10 minutes to allow the motor to cool down.

Step 1

Check the firmware and update to the latest revision if necessary.

Since revision A.03.61 (resident A03.60) most of following “movement failed”, “motor over temp” and “initialization failed (X-axis)” errors are solved.

Step 2

Reset the sampler alignment to default value.

Reset tray alignment, and transport alignment is possible with the Control Module and the Chemstation. To reset the transport alignment with the Chemstation enter following command in the command line.

Print sendmodule\$(lals, “tray:alig 0.00,0.00”)

Step 3

Lubricate the X-gear.

Friction can result in the belt slipping on the gear so that the position of the belt teeth towards the gear changes. To avoid this, apply some grease from the sample transport repair kit to the X-motor-gear.

NOTE

Do not use other grease as the one in the kit and carefully follow the instruction from the technical note.

Poor alignment, seen during vial pickup and vial replacement and/or when the needle hits the gripper arm

Step 4

Check the tension of the belts.

For this use the **Torque2.mac** and measure the torque for each axis.

Typical ranges	Theta (both) 30-50
	X-axis (both) 50-90
	Z-axis (both) 90-130
	Gripper open 30-65
	Gripper closed maximum 30

NOTE

If the Gripper open/closed torque is not in the range, proceed with STEP 5. If the theta or X torque is not in the range, proceed with STEP 6 (if you think you can adjust the torque), otherwise proceed with STEP 7.

Step 5

Exchange the gripper arm assembly (part number G1313-60010).

The gripper arm exchange procedure is explained in the reference manual G1313-90004, section “*Repairing the Autosampler*”.

Step 6

Adjust the belts tension.

- If the measured torque value is too low, the belt needs to be tightened.
- If the measured torque value is too high, the belt needs to be loosened.

For this, slide the motor on the holder bracket in the appropriate direction and test the tension with the **Torque2.mac** macro. Repeat this steps until the values are in the appropriate torque range.

Step 7

Exchange the sample transport assembly (part number G1313-60009 or G1329-60009).

Step 8

Exchange the main board (part number G1313-69520 or G1329-69520).

Repairing the Autosampler

Instructions on simple, routine repair procedures
as well as more extensive repairs requiring
exchange of internal parts

Repairing the Autosampler

Simple Repairs

The autosampler is designed for easy repair. The most frequent repairs such as change and needle assembly change can be done from the front of the instrument with the instrument in place in the system stack. These repairs are described in “Simple Repairs” on page 102.

Exchanging Internal Parts

Some repairs may require exchange of defective internal parts. Exchange of these parts requires removing the autosampler from the stack, removing the covers, and disassembling the autosampler.

WARNING

To prevent personal injury, the power cable must be removed from the instrument before opening the autosampler cover. Do not connect the power cable to the autosampler while the covers are removed.

Safety Flap, Flex Board

It is strongly recommended that the exchange of the safety flap, and flex board is done by Agilent-trained service personnel.

Transport Assembly Parts

The adjustment of the motors, and the tension on the drive belts are important for correct operation of the transport assembly (see “Transport Assembly” on page 132). It is strongly recommended that exchange of drive belts, and the gripper assembly is done by Agilent-trained service personnel. There are no other field-replaceable parts in the transport assembly. If any other component is defective (flex board, spindles, plastic parts) the complete unit must be exchanged.

Updating the Firmware

The Agilent 1100 Series LC modules are fitted with FLASH EPROMS. These EPROMS enable you to update the instrument firmware from the ChemStation, PCMCIA card, or through the RS232 interface. The firmware update procedure is described in the on-line user information.

Cleaning the Autosampler

The autosampler covers should be kept clean. Cleaning should be done with a soft cloth slightly dampened with water or a solution of water and a mild detergent. Do not use an excessively damp cloth that liquid can drip into the autosampler.

WARNING

Do not let liquid drip into the autosampler. It could cause a shock hazard or damage to the autosampler.

Using the ESD Strap

CAUTION

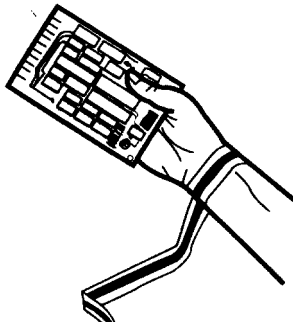
Electronic boards are sensitive to electrostatic discharge (ESD). In order to prevent damage, always use an ESD strap supplied in the accessory kit when handling electronic boards and components.

Using the ESD Strap

- 1 Unwrap the first two folds of the band and wrap the exposed adhesive side firmly around your wrist.
- 2 Unroll the rest of the band and peel the liner from the copper foil at the opposite end.
- 3 Attach the copper foil to a convenient and exposed electrical ground.

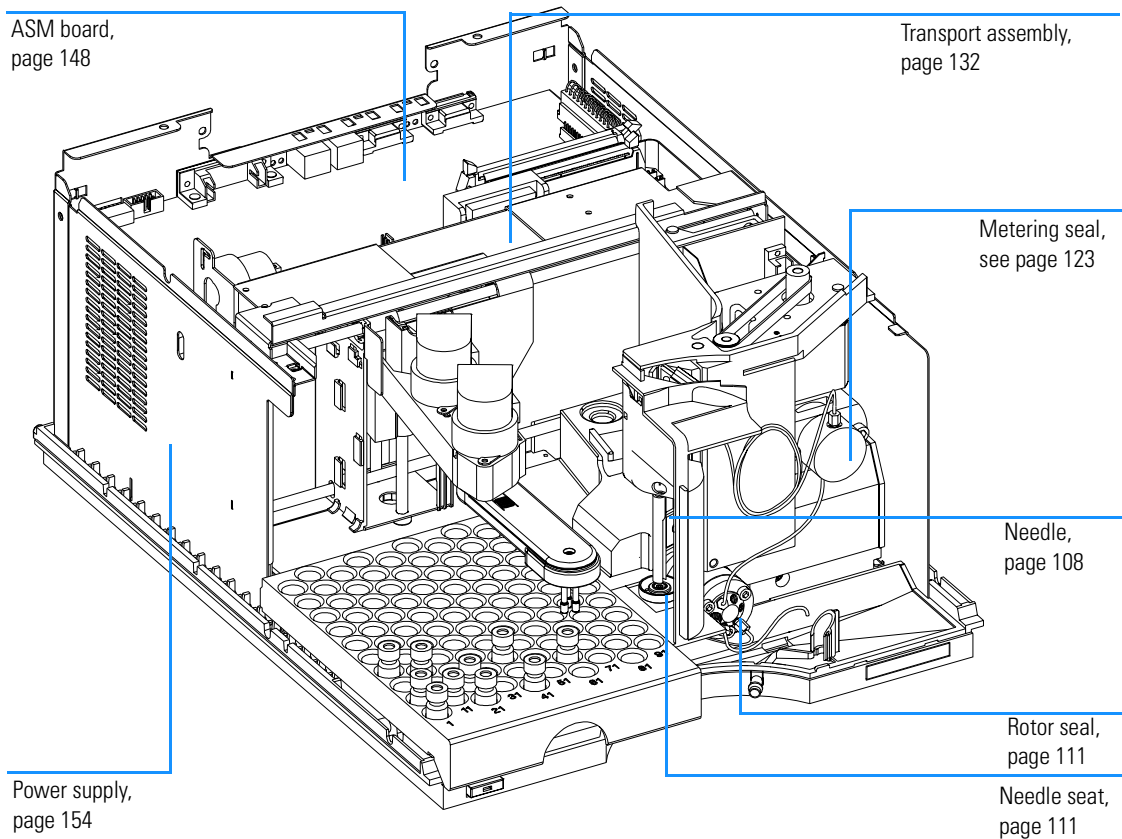
Figure 14

Using the ESD Strap



Overview of Main Repair Procedures

Figure 15 **Main Assemblies**



Simple Repairs

The procedures described in this section can be done with the autosampler in place in the stack. You will do some of these procedures on a more frequent basis

Table 16 **Simple Repair Procedures**

Procedure	Typical Frequency	Time Required	Notes
Exchanging the needle assembly	When needle shows indication of damage or blockage	15 minutes	See "Needle Assembly" on page 108
Exchanging the seat assembly	When the seat shows indication of damage or blockage	10 minutes	See "Needle-Seat Assembly" on page 111
Exchanging the rotor seal	After approximately 30000 to 40000 injections, or when the valve performance shows indication of leakage or wear	30 minutes	See "Rotor Seal" on page 117
Exchanging the metering seal	When autosampler reproducibility indicates seal wear	30 minutes	See "Metering Seal and Plunger" on page 120
Exchanging the gripper arm	When the gripper arm is defective	10 minutes	See "Gripper Arm" on page 123

Needle Assembly

Frequency	When the needle is visibly damaged When the needle is blocked
Tools required	¼ inch wrench (supplied in accessory kit) 2.5 mm Hex key (supplied in accessory kit)
Parts required	Needle assembly (G1313-87201) for G1313-87101 or G1313-87103 needle-seat Needle assembly (G1329-80001) for G1329-87101 or G1329-87103 needle seat Needle assembly (900 µl loop cap) (G1313-87202) for G1313-87101 needle seat Needle assembly (900 µl loop cap) (G2260-87101) for G2260-87101 needle-seat

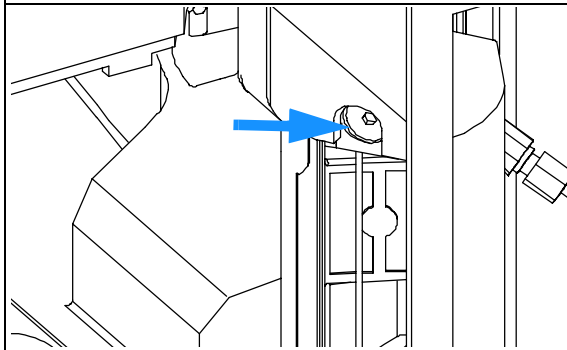
WARNING

To avoid personal injury, keep fingers away from the needle area during autosampler operation. Do not bend the safety flap away from its position, or attempt to insert or remove a vial from the gripper when the gripper is positioned below the needle.

Before beginning this procedure:

- ❑ Select “Start” in the maintenance function “Change Needle” (see “Change Needle” on page 81).
- ❑ When the needle is positioned 15 mm above the needle seat, remove the front cover.

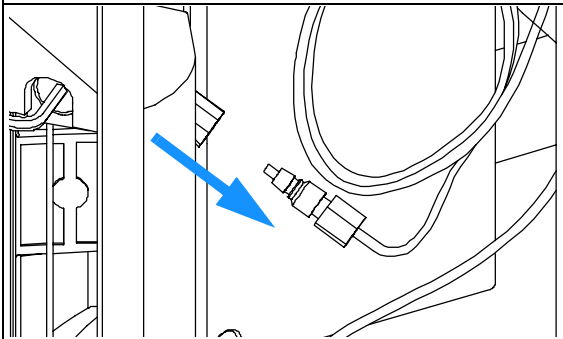
1 Select the “Needle Down” button until the needle screw is aligned with the hole in the safety cover.



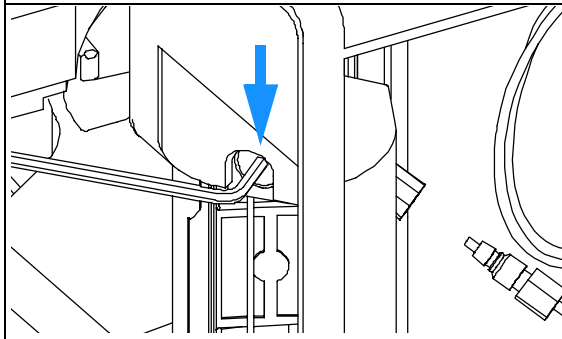
Repairing the Autosampler

Needle Assembly

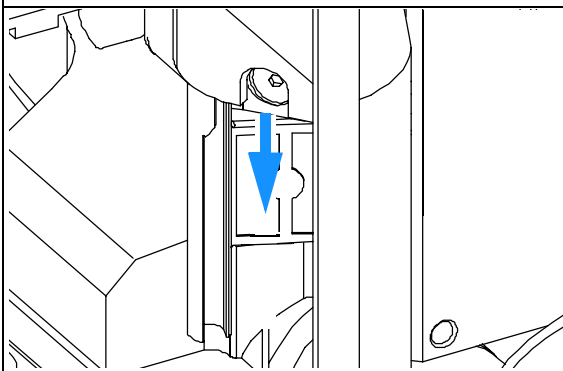
2 Remove the sample-loop fitting from the needle fitting.



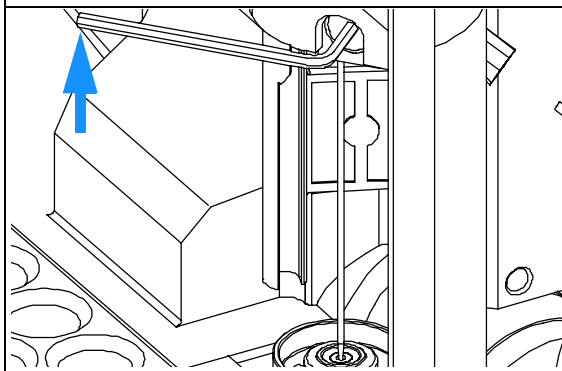
3 Loosen the fixing screw, and lift out the needle.



4 Select "Needle Down". Repeat the selection until the needle arm reaches its lowest position.

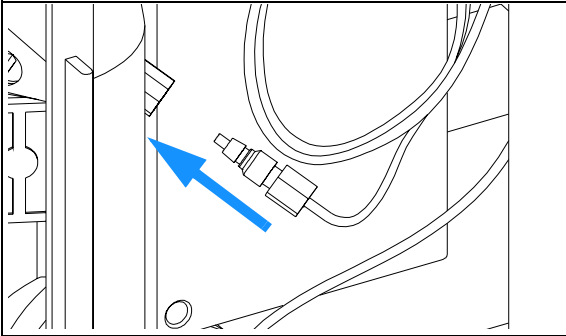


5 Insert the new needle. Align the needle in the seat, then tighten the screw firmly.

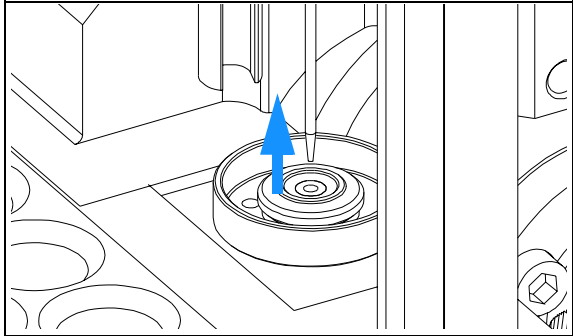


Repairing the Autosampler
Needle Assembly

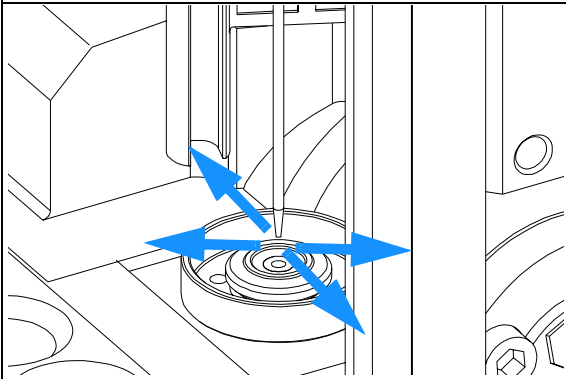
6 Reconnect the sample-loop fitting to the needle fitting.



7 Use “Needle Up” to lift the needle to a position approximately 2mm above the seat.



8 Ensure the needle is aligned with the seat. If required, bend the needle slightly until the needle is aligned correctly.



On completion of this procedure:

- Install the front cover.
- Select “End” in the maintenance function “Change Needle” (see “Change Needle” on page 81).

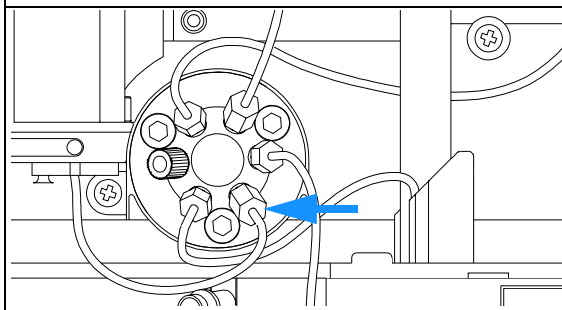
Needle-Seat Assembly

Frequency	When the seat is visibly damaged When the seat capillary is blocked
Tools required	1/4 inch wrench (supplied in accessory kit). Flat-head screwdriver.
Parts required	Needle-seat assy (0.17 mm i.d 2.3 µl) G1313-87101 <i>for G1313-29A</i> Needle-seat assy (0.12 mm i.d 1.2 µl) G1313-87103 <i>for G1313-29A</i> Needle seat assy (0.10 mm i.d 1.2 µl) G1329-87101 <i>for G1389A</i> Needle seat assy (0.05 mm i.d 0.3 µl) G1329-87103 <i>for G1389A</i> Needle-seat assy (0.50 mm i.d 20 µl) G2260-87101 <i>for G2260A</i>

Before beginning this procedure:

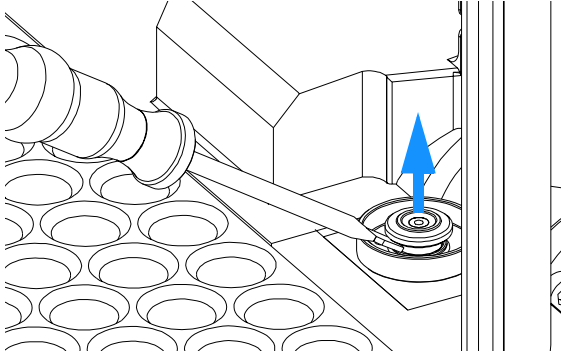
- ❑ Select “Start” in the maintenance function “Change Needle” (see “Change Needle” on page 81).
- ❑ Remove the front cover.
- ❑ Use the “Needle Up” command in the “Change Needle” function to lift the needle an addition 1cm.

1 Disconnect the seat-capillary fitting from the injection valve (port 5).

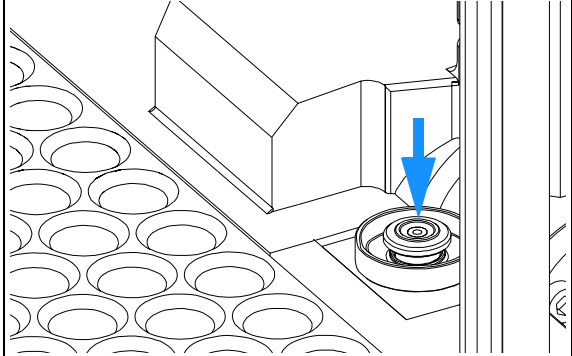


Repairing the Autosampler
Needle-Seat Assembly

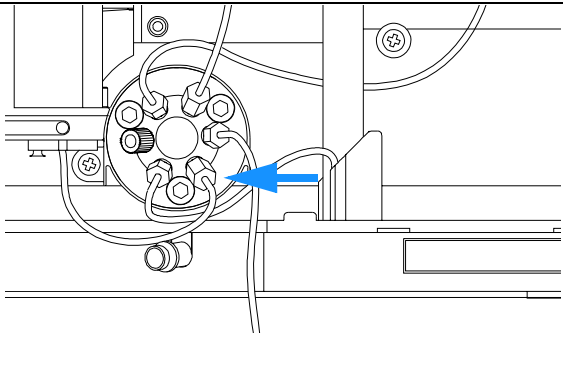
2 Use a small flat-head screwdriver to ease out the needle seat.



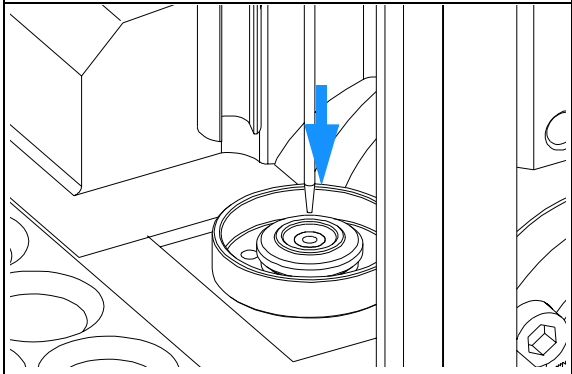
3 Insert the new needle-seat assembly. Press the seat firmly into position.



4 Connect the seat-capillary fitting to port 5 of the injection valve.

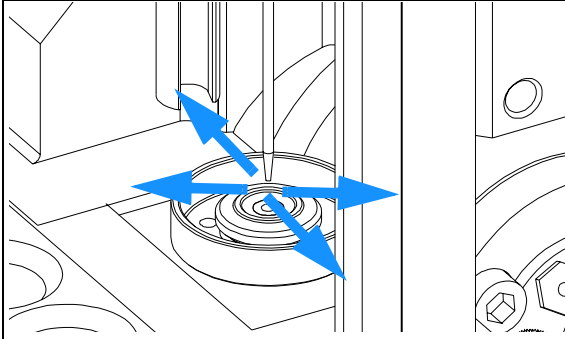


5 Use the “Down” button to position the needle approximately 2 mm above the seat



Needle-Seat Assembly

6 Ensure the needle is aligned with the seat. If required, bend the needle slightly until the needle is aligned correctly.



On completion of this procedure:

- Install the front cover.
- Select “End” in the maintenance function “Change Needle” (see “Change Needle” on page 81).

Stator Face

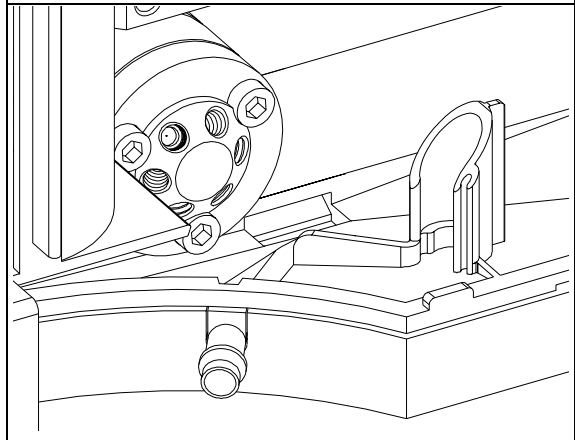
Frequency	Poor injection-volume reproducibility Leaking injection valve
Tools required	1/4 inch wrench (supplied in accessory kit) Hex key, 9/64 inch (supplied in accessory kit)
Parts required	Stator face 0100-1851 <i>for G1313A and G1329A</i> Stator face 0101-1268 <i>for G2260A</i>

CAUTION The stator face is held in place by the stator head. When removing the stator head, ensure the stator face does not fall out of the valve.

Before beginning this procedure:

- Remove the front cover.

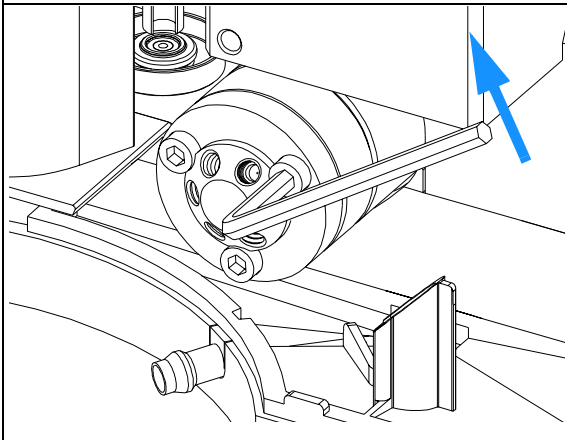
1 Remove all capillary fittings from the injection-valve ports.



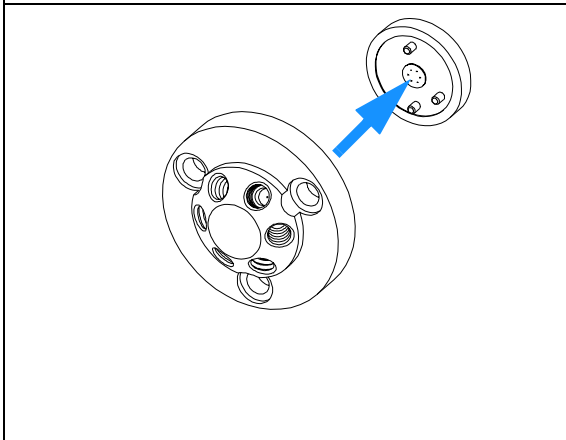
Repairing the Autosampler

Stator Face

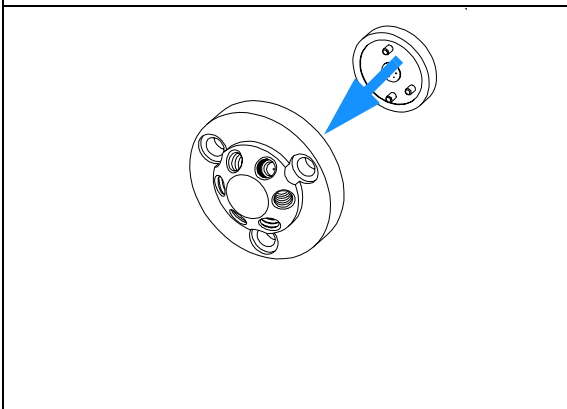
- 2** Loosen each fixing bolt two turns at a time. Remove the bolts from the head.



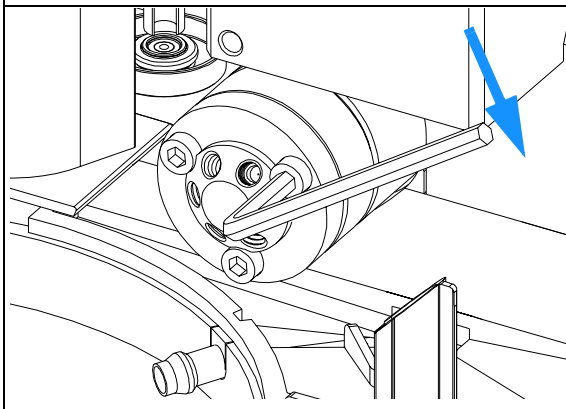
- 3** Remove the stator head and stator face.



- 4** Place the stator face in place on the stator head. Ensure the pins on the stator engage in the holes in the stator head.

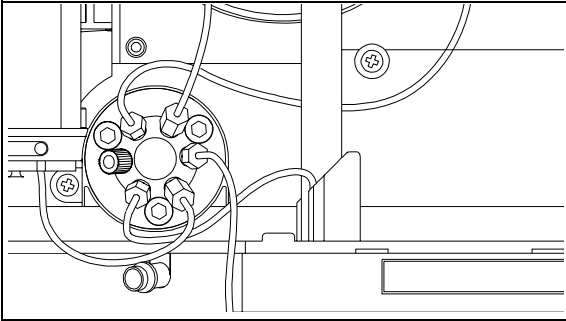


- 5** Install stator head and stator face. Tighten the bolts alternately two turns at a time until the stator head is secure.

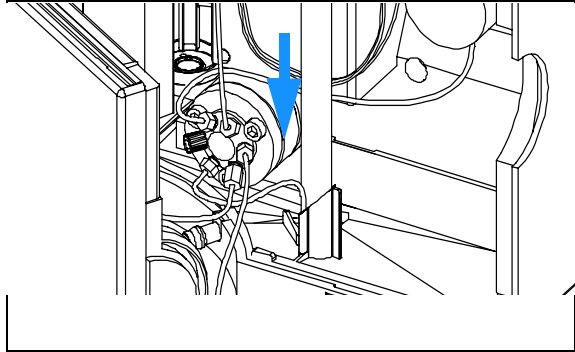


Stator Face

6 Reconnect the pump capillaries to the valve ports (see “Hydraulic Connections” on page 31).



7 Slide the waste tube into the waste holder in the leak tray.



On completion of this procedure:

- Install the front cover.

Rotor Seal

Frequency	Poor injection-volume reproducibility Leaking injection valve
Tools required	1/4 inch wrench (supplied in accessory kit). Hex key, 9/64 inch (supplied in accessory kit).
Parts required	Rotor seal 0100-1853 (Vespel) <i>for G1313A and G1329A</i> Rotor seal 0100-1849 (Tefzel) <i>for G1313A and G1329A</i> Rotor seal 0100-2088 (Vespel) <i>for G1389A</i> Rotor seal 0101-1268 (PEEK) <i>for G2260A</i>

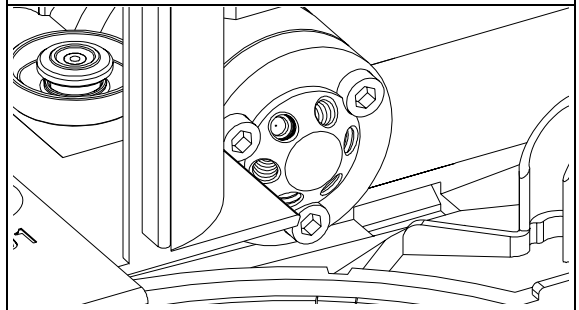
CAUTION

The stator face is held in place by the stator head. When removing the stator head, ensure the stator face does not fall out of the valve.

Before beginning this procedure:

- Remove the front cover.

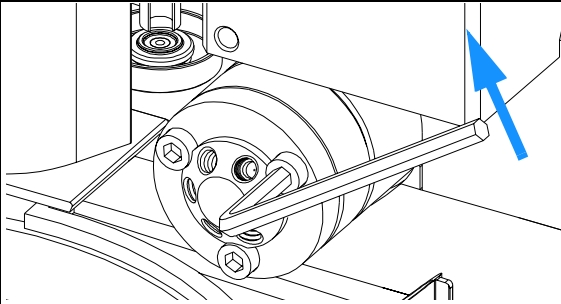
1 Remove all capillary fittings from the injection-valve ports.



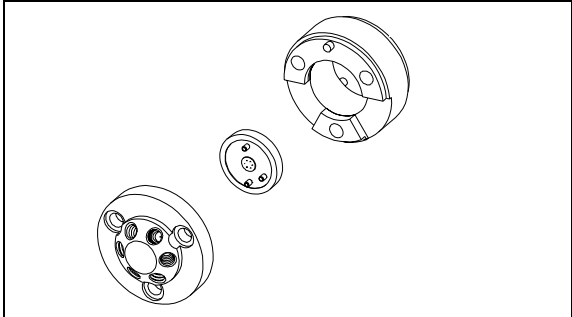
Repairing the Autosampler

Rotor Seal

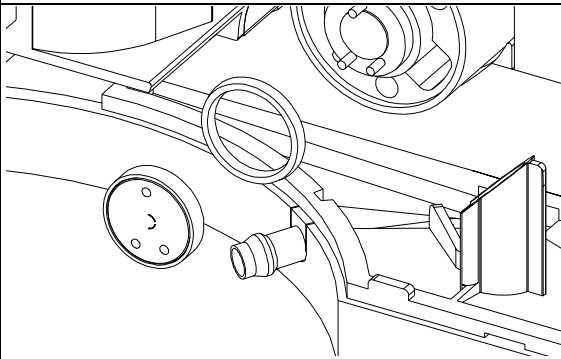
2 Loosen each fixing bolt two turns at a time.
Remove the bolts from the head.



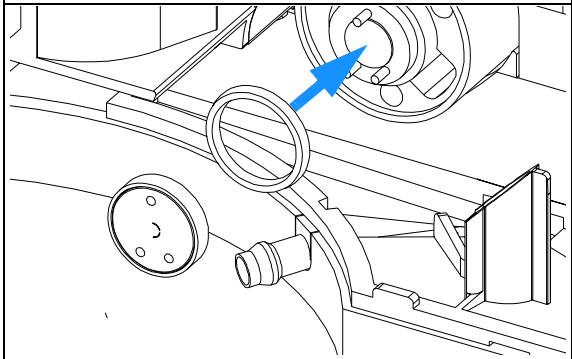
3 Remove the stator head, stator face and stator ring.



4 Remove the rotor seal (and isolation seal if required)

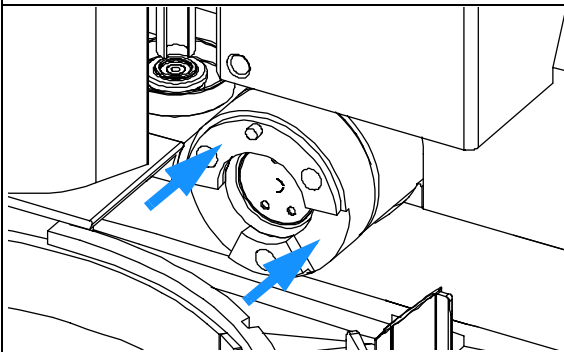


5 Install the new rotor seal and isolation seal (if required). Ensure the metal spring inside the isolation seal faces towards the valve body.

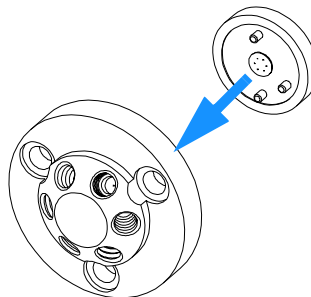


Rotor Seal

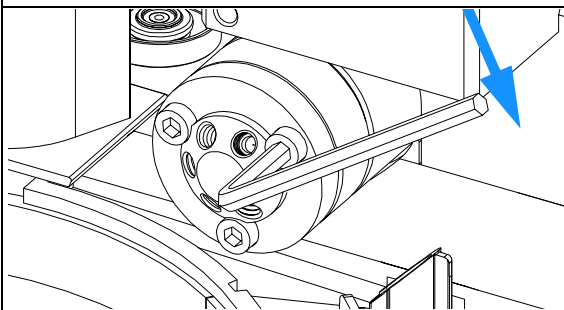
6 Install the stator ring. Ensure the housing is flush against the valve body.



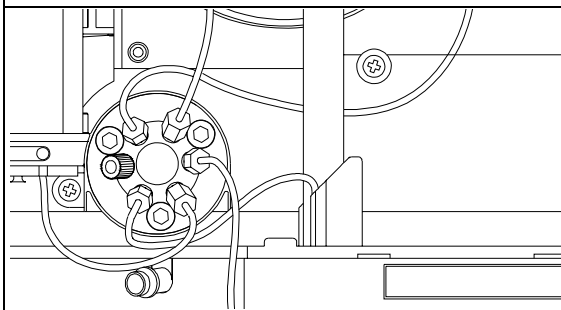
7 Place the stator face in place on the stator head.



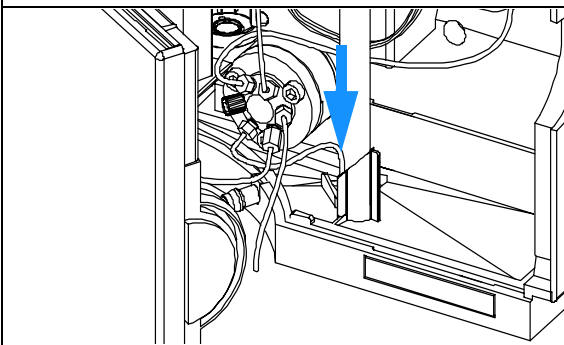
8 Install stator head and stator face. Tighten the bolts alternately two turns at a time until the stator head is secure.



9 Reconnect the pump capillaries to the valve ports (see “Hydraulic Connections” on page 31)



10 Slide the waste tube into the waste holder in the leak tray.



On completion of this procedure:

- Install the front cover.

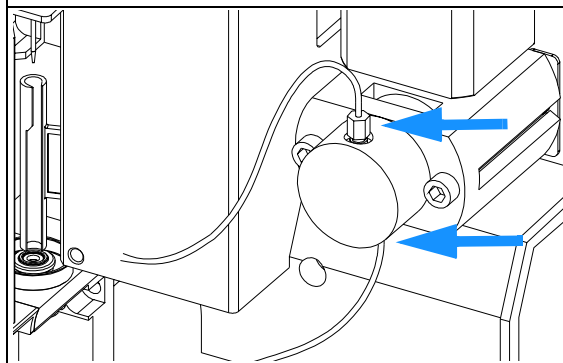
Metering Seal and Plunger

Frequency	Poor injection-volume reproducibility Leaking metering device
Tools required	1/4 inch wrench (supplied in accessory kit). 4 mm hex key (supplied in accessory kit). 3 mm hex key (supplied in accessory kit).
Parts required	Metering seal 5063-6589 (pack of 2) <i>for 100 μl analytical head</i> Metering seal 5022-2175 (pack of 1) <i>for 40 μl analytical head</i> Metering seal 0905-1294 (pack of 1) <i>for 900 μl analytical head</i> Metering plunger 5063-6586 <i>for 100 μl analytical head</i> Metering plunger 5064-8293 <i>for 40 μl analytical head</i> Metering plunger 5062-8587 <i>for 900 μl analytical head</i> (only if scratched or contaminated)

Before beginning this procedure:

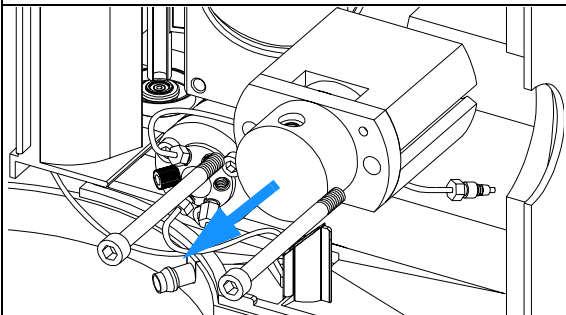
- Select “Start” in the maintenance function “Change piston” (see “Change Piston” on page 83).
- Remove the front cover.

1 Remove the two capillaries from the metering-head assembly.

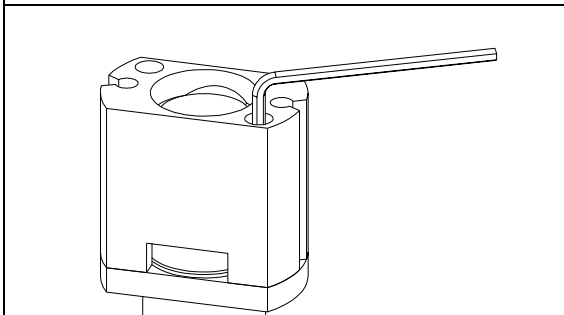


Repairing the Autosampler
Metering Seal and Plunger

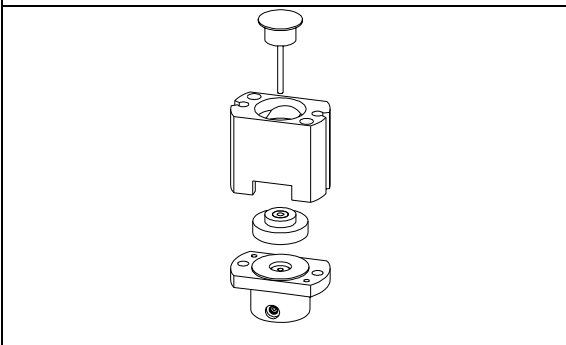
2 Remove the two fixing bolts, and pull the head assembly away from the sampler.



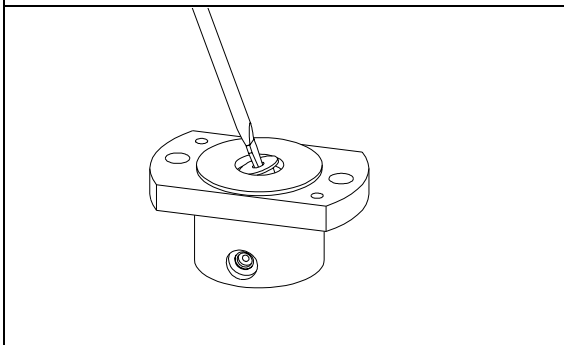
3 Remove the two fixing bolts from the base of the metering head assembly.



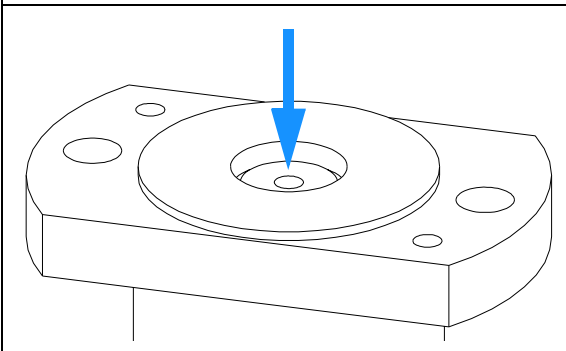
4 Disassemble the metering head assembly.



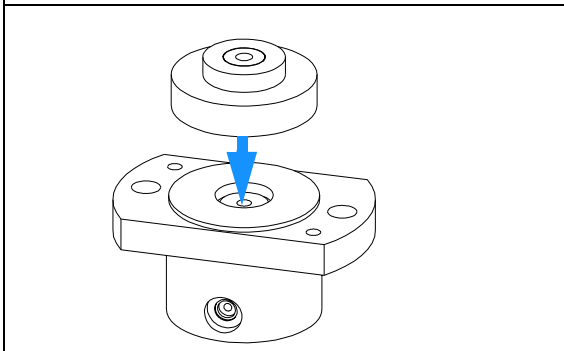
5 Use a small screwdriver to carefully remove the seal. Clean the chamber with lint-free cloth. Ensure all particular matter is removed.



6 Install the new seal. Press the seal firmly into position.

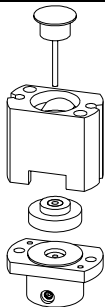


7 Place the piston guide on top of the seal.

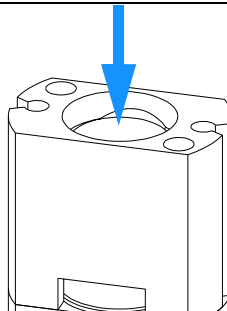


Repairing the Autosampler
Metering Seal and Plunger

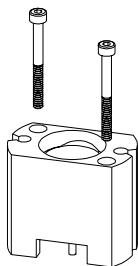
8 Carefully insert the plunger into the base.
Reassemble the metering head assembly.



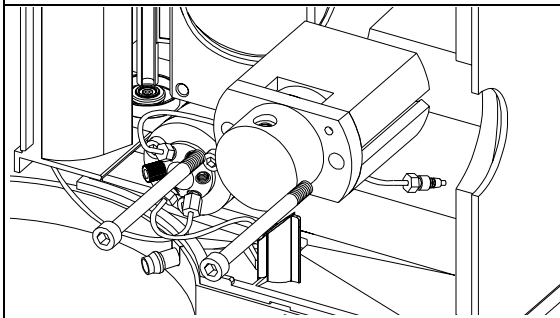
9 Press the plunger into the seal.



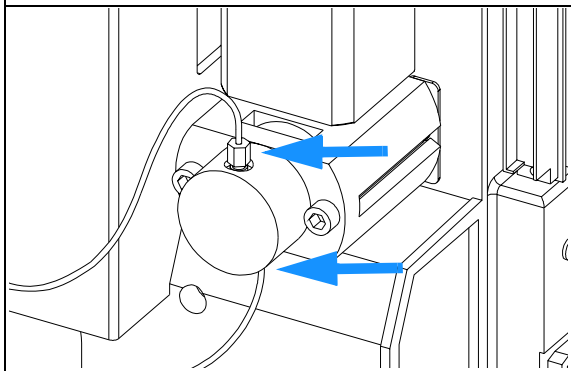
10 Install the fixing bolts. Tighten the bolts securely.



11 Install the metering head assembly in the autosampler. Ensure the large hole in the metering head is facing downwards.



12 Reinstall the capillaries.



On completion of this procedure:

- Install the front cover.
- Select “End” in the maintenance function “Change piston” (see “Change Piston” on page 83).

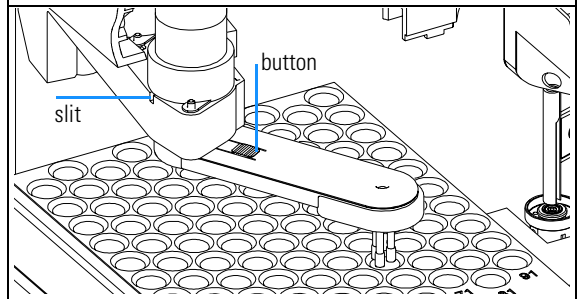
Gripper Arm

Frequency	Defective gripper arm
Tools required	Straightened paper clip.
Parts required	Gripper assembly, G1313-60010.

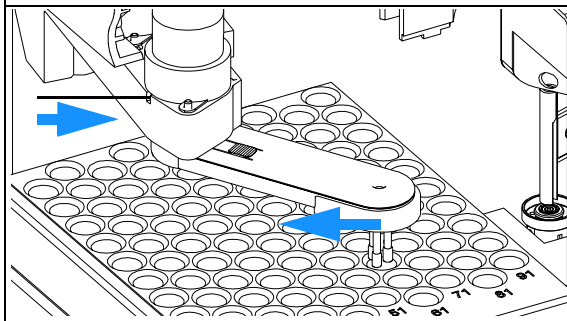
Before beginning this procedure:

- ❑ Select “Start” in the maintenance function “ChangeGripper” (see “Change Gripper (Change Arm)” on page 85).
- ❑ Turn off the power to the autosampler.
- ❑ Remove the front cover.

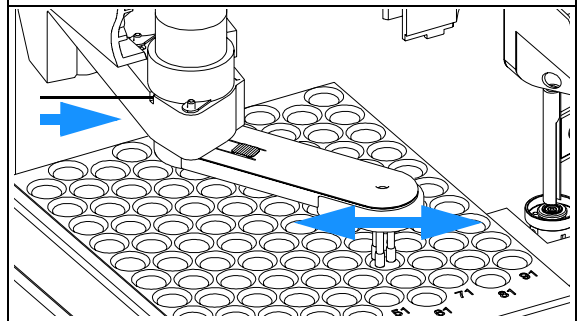
1 Identify the slit below the gripper motor and the gripper arm release button.



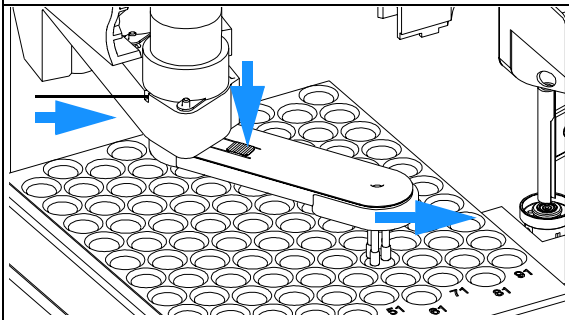
2 Rotate the arm approximately 2.5cm (1 inch) to the left and insert the straightened paper clip into the slit.



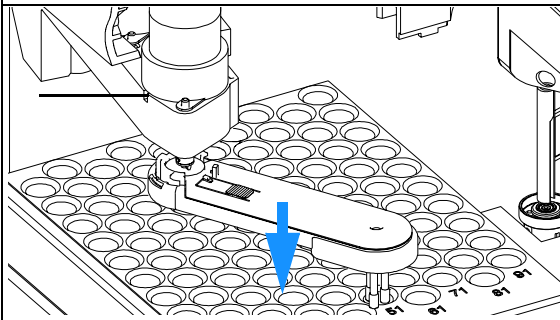
3 Rotate the gripper arm slowly from left to right and apply a gentle pressure to the paper clip. The clip will engage on an internal catch and the rotation of the arm will be blocked.



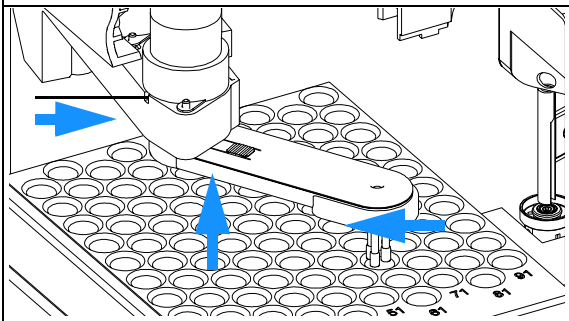
4 Hold the paper clip in place, press the gripper release button and rotate the gripper arm to the right.



5 The gripper arm will come off.



6 Replace the gripper arm by holding the paper clip in place, pushing the gripper arm into the holder and rotating the gripper arm to the left.



On completion of this procedure:

- Install the front cover.
- Turn the power to the autosampler on.

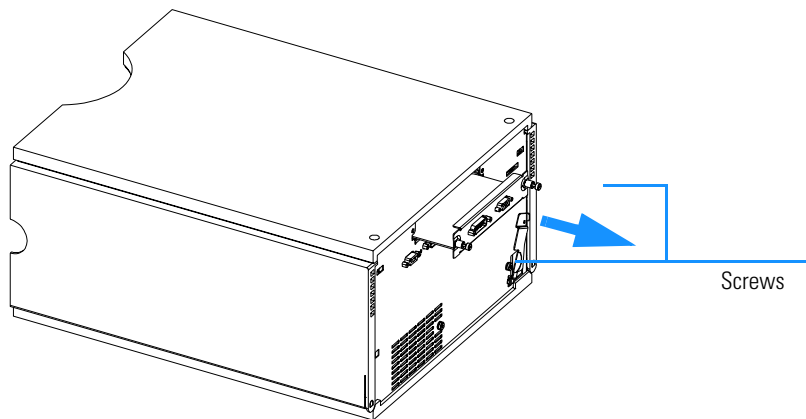
Interface Board

Frequency	At installation or when defective.
Tools required	Flat-head screwdriver.
Parts required	Interface board, see "Optional Interface Boards" on page 228.

CAUTION The interface board is sensitive to electrostatic discharge. Always use the ESD strap when handling electronic boards.

- 1 Switch off the autosampler at the main power switch.
- 2 Disconnect cables from the interface board connectors.
- 3 Loosen the screws. Slide out the interface board from the autosampler.
- 4 Install the interface board. Secure the screws.
- 5 Reconnect the cables to the board connectors

Figure 16 Exchanging the Interface Board



Exchanging Internal Parts

WARNING The following procedures require opening the main cover of the autosampler. Always ensure the autosampler is disconnected from the line power when the main cover is removed. The security lever at the power input socket prevents the autosampler cover from being taken off when line power is still connected.

WARNING The power supply still uses some power, even if the power switch on the front panel is turned off. To disconnect the autosampler from line power, unplug the power cord.

WARNING When opening capillary or tube fittings solvents may leak out. Please observe appropriate safety procedures (for example, goggles, safety gloves and protective clothing) as described in the material handling and safety data sheet supplied by the solvent vendor, especially when toxic or hazardous solvents are used.

NOTE The electronics of the autosampler will not allow operation when the top cover and the top foam are removed. A safety light switch on the main board will inhibit the operation of the autosampler. Always operate the autosampler with the top foam and top covers in place.

CAUTION Internal components may be sensitive to electrostatic discharge (ESD). Always use an ESD strap when handling internal components (see “Using the ESD Strap” on page 105).

The procedures in this section describe how to exchange defective internal parts. You must remove the autosampler from the stack in order to open the main cover.

Assembling the Main Cover

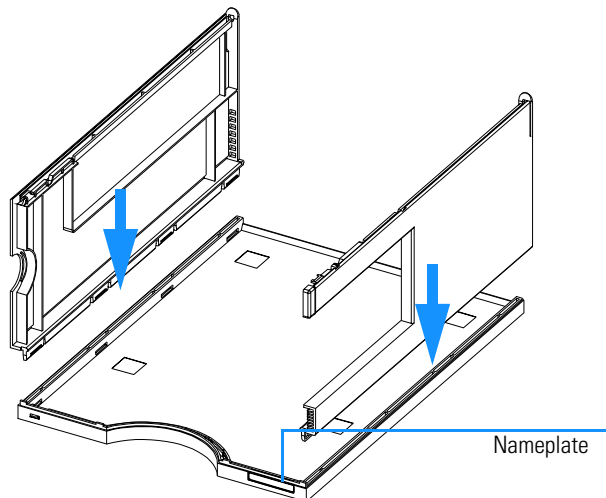
Tools required	None
Parts required	G1313-68703 Cover kit <i>for G1313A</i> G1329-68703 Cover kit <i>for G1329A - G1389A - G2260A</i> G1329-68706 Cabinet upgrade kit <i>for G1313A - G1329A</i> 5042-1381 Name plate

NOTE The plastics kit contains all parts, but it is not assembled.

CAUTION Observe the assembly instructions carefully. The main cover cannot be disassembled once assembled incorrectly.

- 1 Insert the “Agilent Technologies 1100 Series” nameplate into the recess in the top cover
- 2 Place the top cover on the bench.
- 3 Press the side panels into the slots in the top cover

Figure 17 **Assembling the Main Cover**



Top Cover and Foam

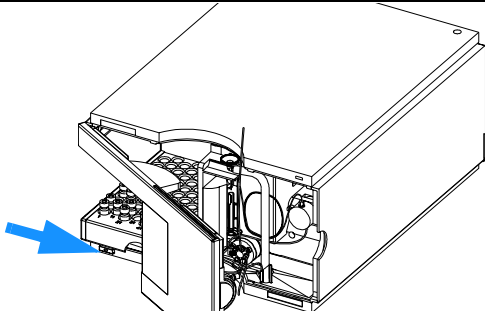
Frequency When accessing internal parts.

Tools required If interface board installed: Flat-head screwdriver.

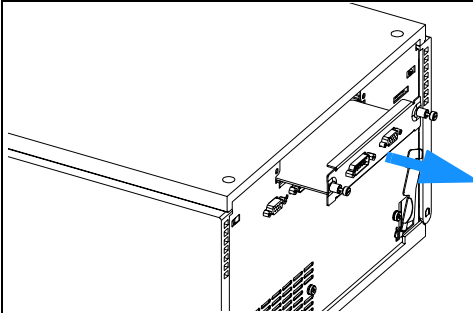
Parts required Foam kit G1313-68702

CAUTION This procedure requires removal of the MIO-interface board. The board is sensitive to electrostatic discharge. Always use the ESD strap when handling electronic boards.

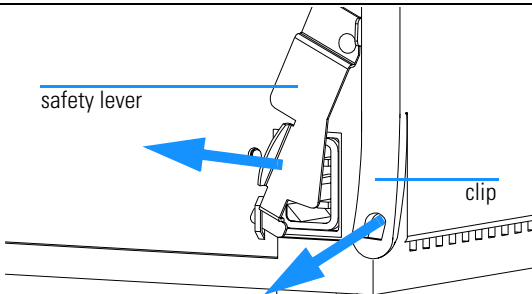
1 Switch off the autosampler at the main power switch. Remove the power cable.



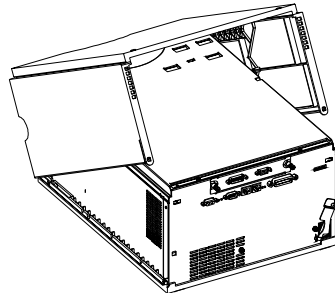
2 If installed, remove the ECB board.



3 Move the safety lever to the left. Lift the clips on the top cover.

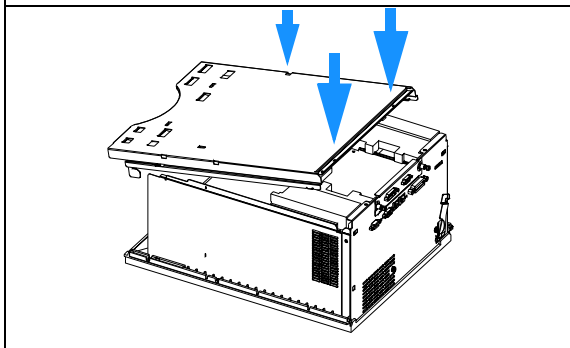


4 Lift the cover away.

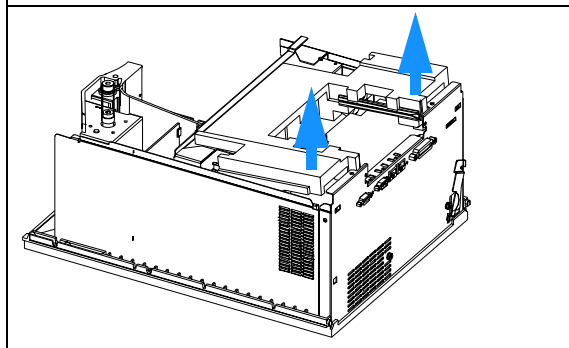


Repairing the Autosampler
Top Cover and Foam

5 Unscrew the three screws on the top plate.
Remove the top plate.



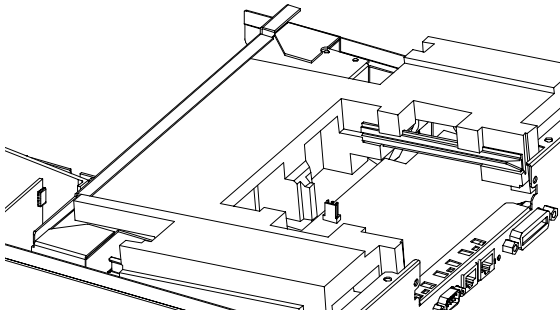
6 Carefully remove the top foam.



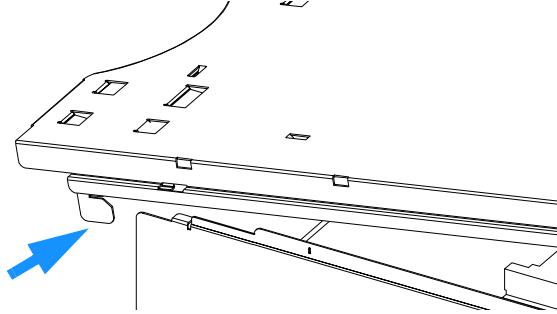
Installing the Top Cover and Foam

Frequency	When accessing internal parts.
Tools required	If interface board installed: Flat-head screwdriver.
Parts required	None.

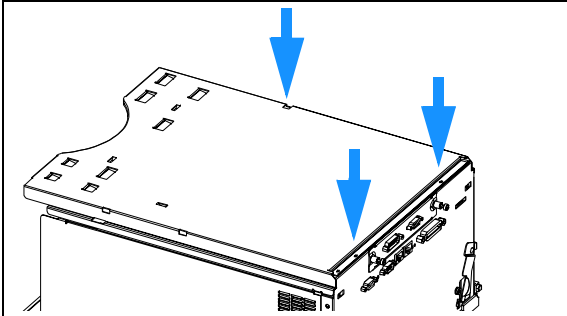
1 Install the top foam. Press the foam firmly into place.



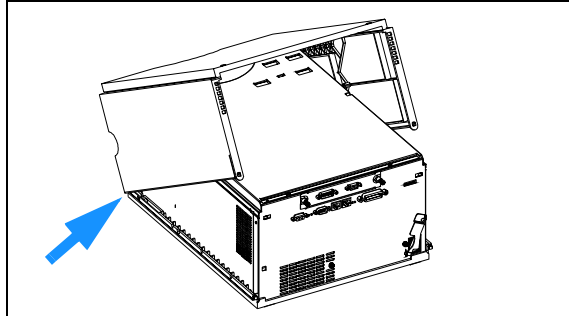
2 Engage the slot on the top plate onto the side plate.



3 Fix the top plate in place with the three screws.

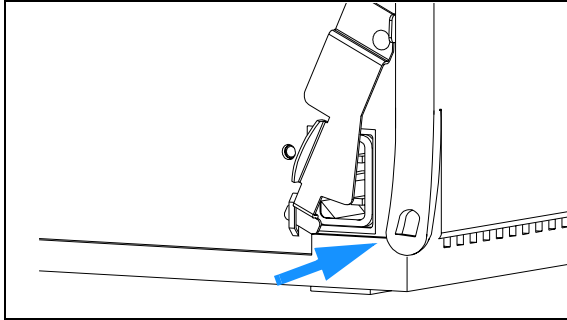


4 Engage the top cover into the bottom cover.

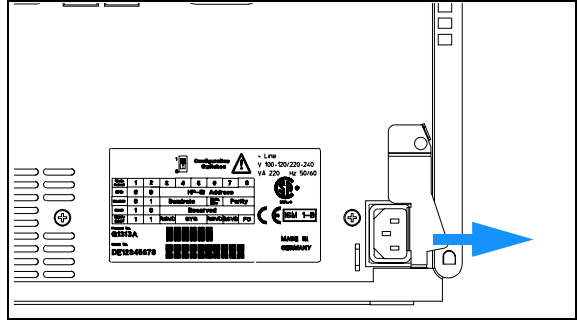


Repairing the Autosampler
Installing the Top Cover and Foam

5 Lower the cover into place. Ensure the clips close firmly.



6 Slide the power lock to the right, and install the power cable.

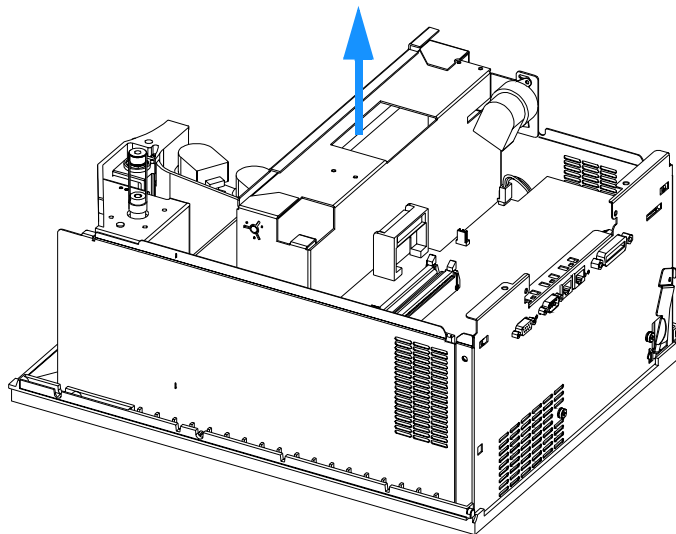


Transport Assembly

Frequency	Sticking or jammed transport assembly. Defective flex board or sensors.
Tools required	If interface board installed: Flat-head screwdriver.
Parts required	Transport assembly G1313-60009 <i>for G1313A</i> Transport assembly G1329-60009 <i>for G1329A - 1389A - G2260A</i>

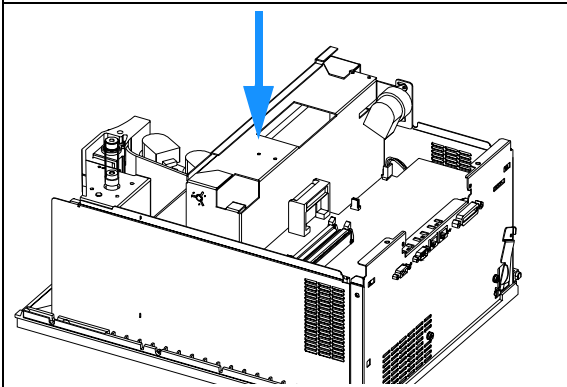
- 1 Remove the top cover, top plate, and foam (see “Top Cover and Foam” on page 128).
- 2 Lift out the transport assembly. This may require a flat head screwdriver to separate the transport assembly from the sampling unit

Figure 18 **Removing the Transport Assembly**

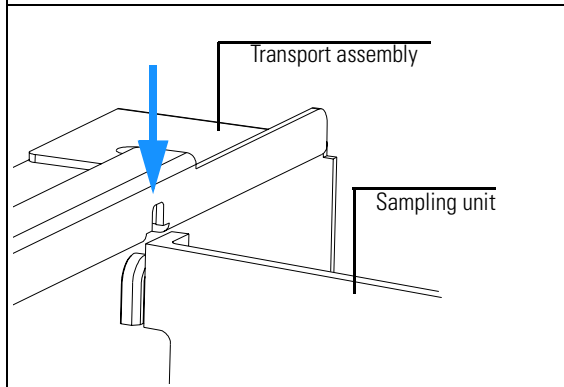


Installing the Transport Assembly

1 Slide the transport assembly into the autosampler.



2 Ensure the slot on the top of the transport assembly engages with the stud on the sampling unit.



On completion of this procedure:

- Ensure the transport assembly is seated firmly.
- Install the top cover and foam (page 128).
- Verify the transport assembly alignment (page 99).

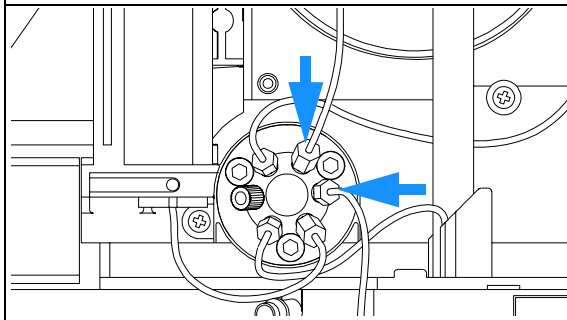
Sampling Unit

Frequency	When accessing internal parts, or when defective.
Tools required	1/4 inch wrench (supplied in accessory kit). Flat-head screwdriver.
Parts required	Sampling unit G1313-60008 <i>for G1313A</i> Sampling unit G1329-60008 <i>for G1329A</i> Sampling unit G1329-60018 <i>for G1389A</i> Sampling unit G2260-60008 <i>for G2260A</i> The sampling units come without injection valve and analytical head assembly (see "Sampling Unit Assembly" on page 162).

Before beginning this procedure:

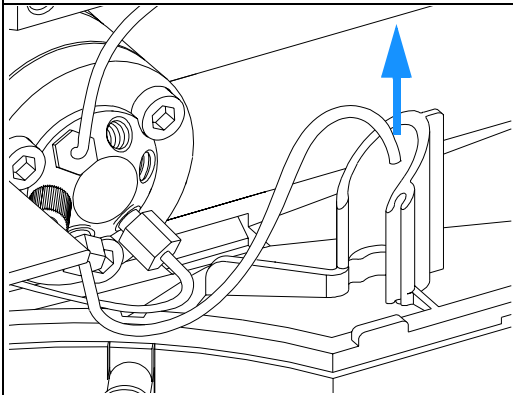
- Remove the front cover.
- Remove the vial tray.
- Remove the top cover (page 128).
- Remove the transport assembly (page 132).

- 1** Remove the pump and column thermostat capillaries (ports 1 and 6) from the injection valve.

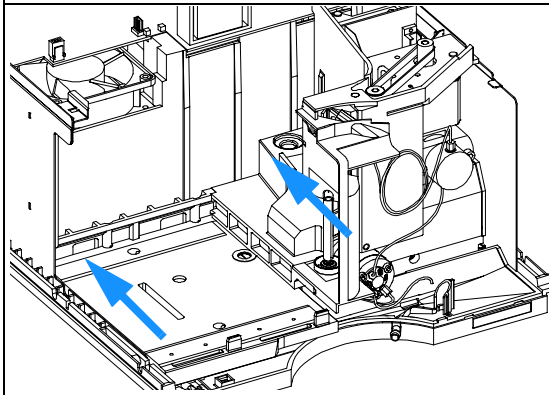


Repairing the Autosampler
Sampling Unit

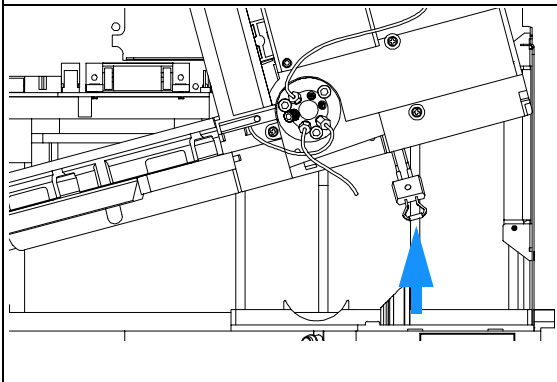
2 Pull out the waste tube from the holder in the leak tray.



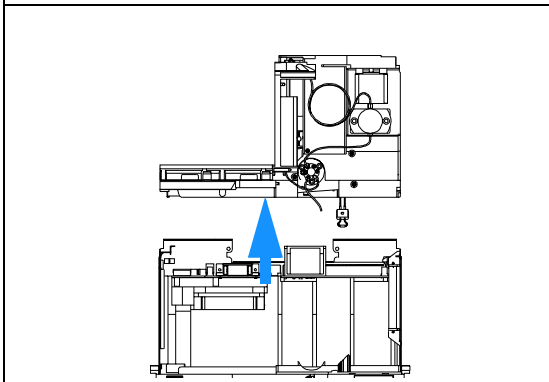
3 Slide the sampling unit and tray base back to disengage the sampling-unit connector.



4 Lift the sampling unit and tray base approximately 10 cm. Slide the leak sensor out of the leak plane.

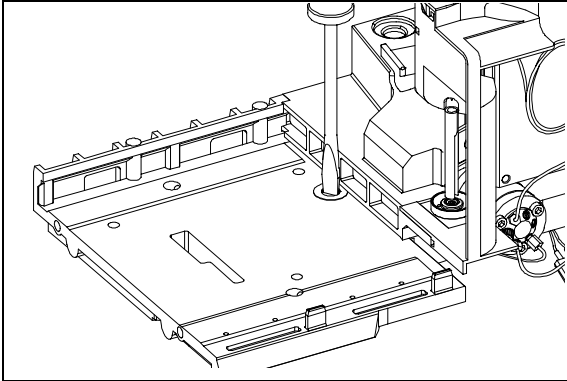


5 Lift the sampling unit and tray base out of the autosampler.

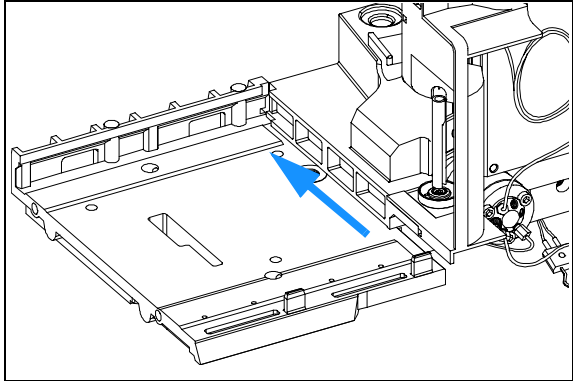


Repairing the Autosampler
Sampling Unit

6 Turn the tray-base locking screw $\frac{1}{4}$ -turn anti-clockwise.



7 Slide the tray base back to disengage the tray base from the sampling unit.

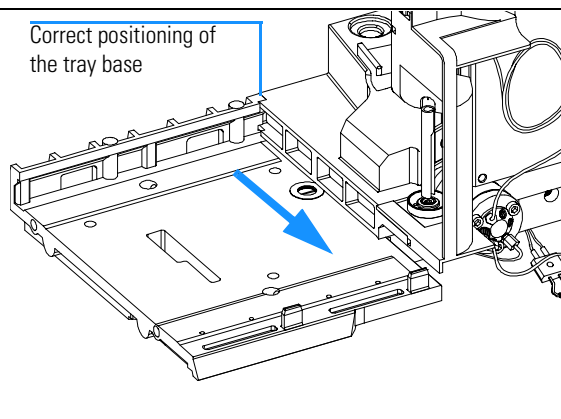


Installing the Sampling Unit

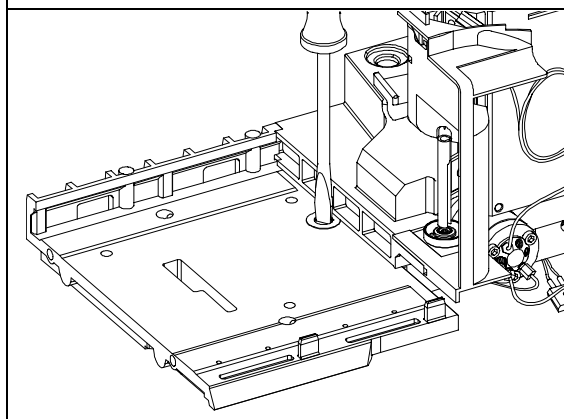
NOTE

The replacement sampling unit is supplied without injection valve and metering head assembly. If you are exchanging the complete sampling unit, remove the injection valve and metering head from the defective sampling unit. Install the valve and metering head in the new sampling unit. See “Injection-Valve Assembly” on page 140 and “Gripper Arm” on page 123.

- 1** Mount the tray base onto the sampling unit.
Ensure the tray base is positioned flush against the sampling unit.

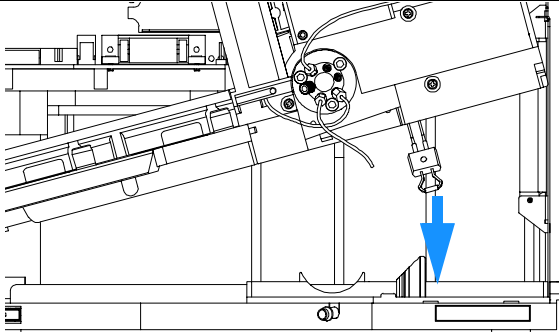


- 2** Tighten the locking screw ¼-turn clockwise.

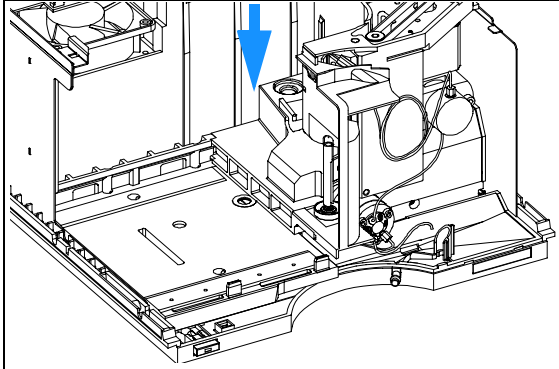


Repairing the Autosampler
Sampling Unit

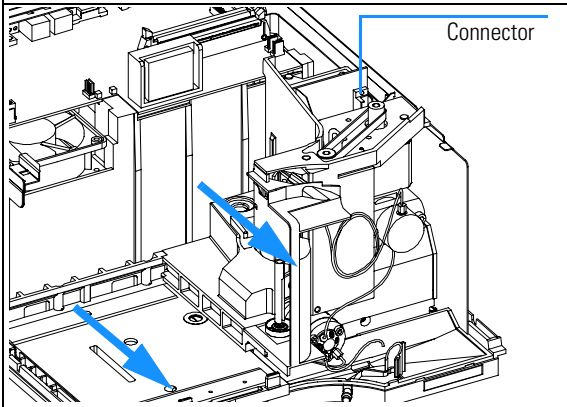
3 While holding the sampling unit and tray base, slide the leak sensor into the holder in the leak plane.



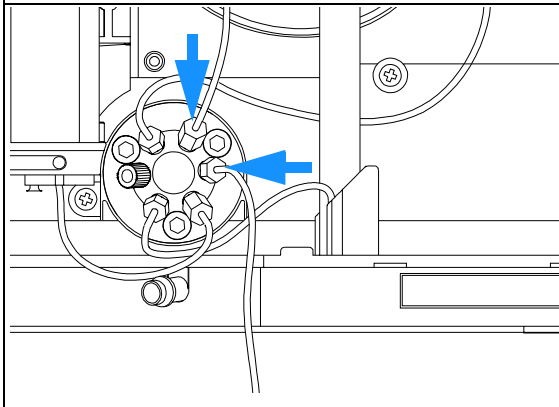
4 Place the sampling unit and tray base into the autosampler.



5 Slide the sampling unit and tray base forwards. Ensure the sampling unit connector is seated correctly.

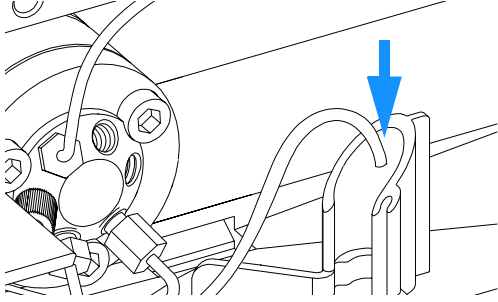


6 Install the pump and column thermostat capillaries (ports 1 and 6) in the injection valve.



Repairing the Autosampler
Sampling Unit

7 Install the waste tube in the holder in the leak tray.



On completion of this procedure:

- Install the transport assembly (page 132).
- Install the top cover (page 128).
- Install the vial tray.
- Verify the transport assembly alignment (page 99).

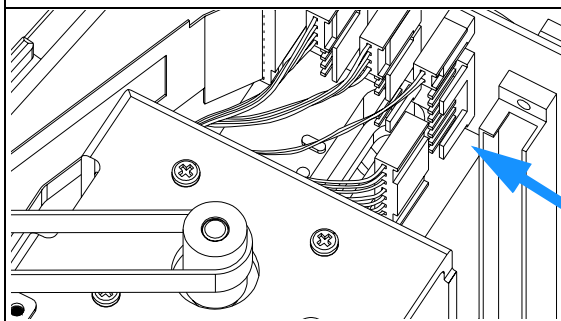
Injection-Valve Assembly

Frequency	When defective
Tools required	Pozidrive No. 1 screwdriver 1/4 inch wrench
Parts required	Injection valve 0101-0921 for G1313A G1329A Injection valve 0101-1050 for G1389A Injection valve 0101-1267 for G2260A

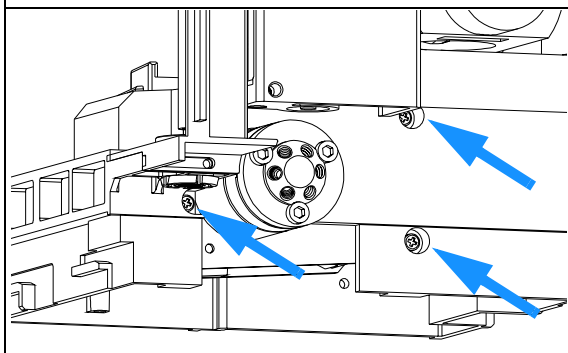
Before beginning this procedure:

- Remove all capillaries from the injection valve (page 31).
- Remove the top cover (page 128).
- Remove the transport assembly (page 132).
- Remove the sampling unit (page 134).

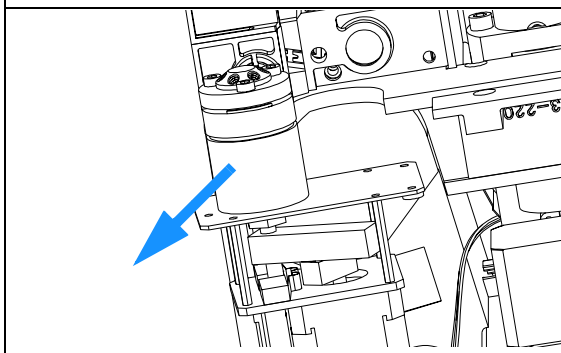
1 Disconnect the valve-cable connector from the SUD board (labelled "Valve Assy").



2 Remove the three fixing screws.

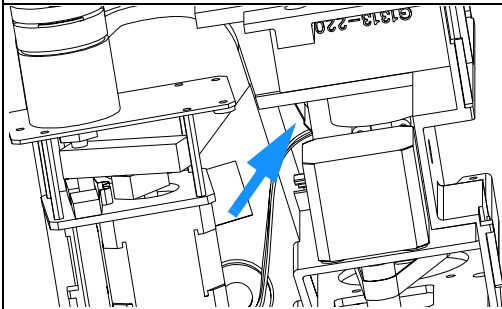


3 Remove the injection-valve assembly.

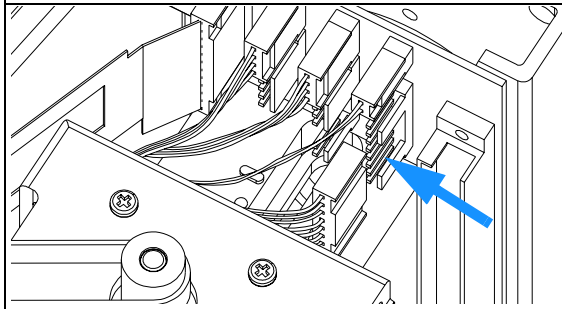


Repairing the Autosampler
Injection-Valve Assembly

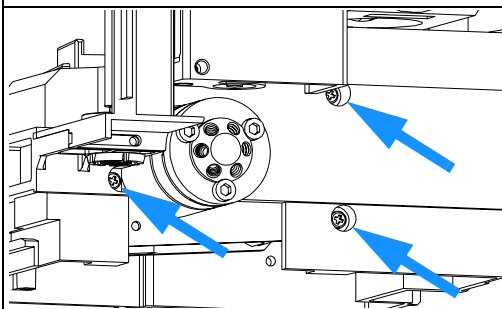
4 Feed the cable of the new valve through to the SUD board).



5 Connect the valve cable to the connector (labelled "Valve Assy").



6 Fix the valve assembly in place securely with the three screws.



On completion of this procedure:

- Install the sampling unit (page 134).
- Install the transport assembly (page 132).
- Install the top cover (page 128).
- Replace the injection-valve capillaries (page 31).
- Verify the transport assembly alignment (page 99).

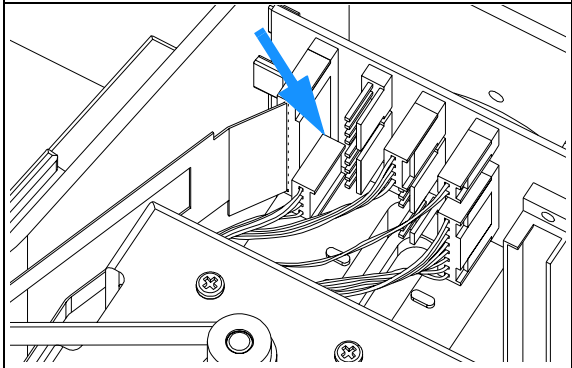
Metering-Drive Motor and Belt

Frequency	When belt or motor defective
Tools required	Pozidrive No. 1 screwdriver
Parts required	Metering-drive motor 5062-8590 Belt 1500-0697

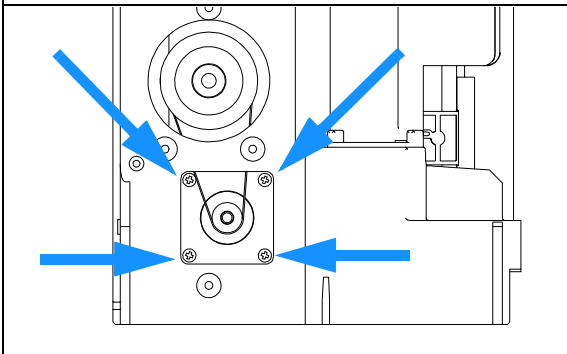
Before beginning this procedure:

- ❑ Remove the top cover (page 128).
- ❑ Remove the transport assembly (page 132).
- ❑ Remove the sampling unit (page 134).

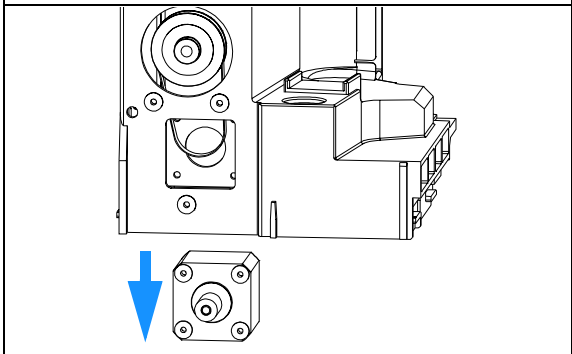
7 Disconnect the motor connector from the SUD board (labelled “Metering M”).



8 Remove the four fixing screws.

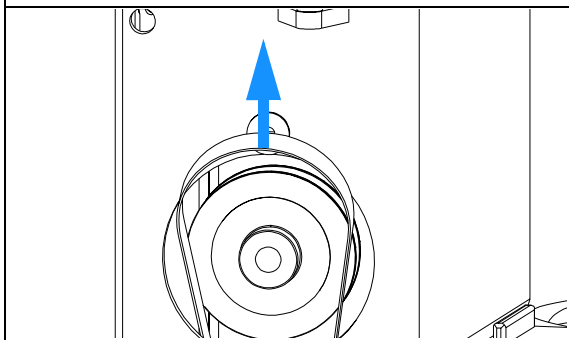


9 Remove the motor.

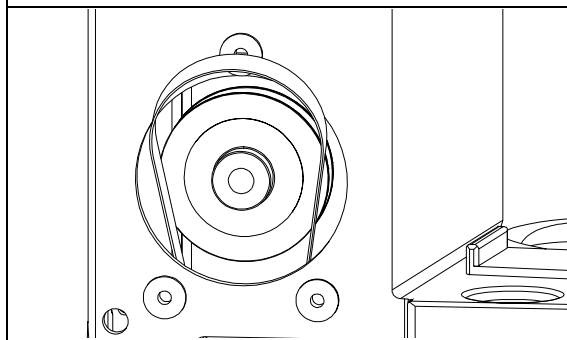


Repairing the Autosampler
Metering-Drive Motor and Belt

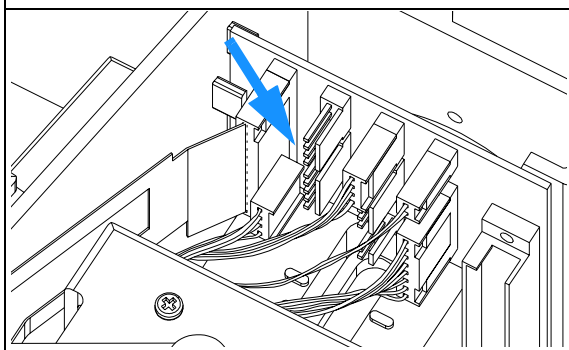
10 Remove the belt.



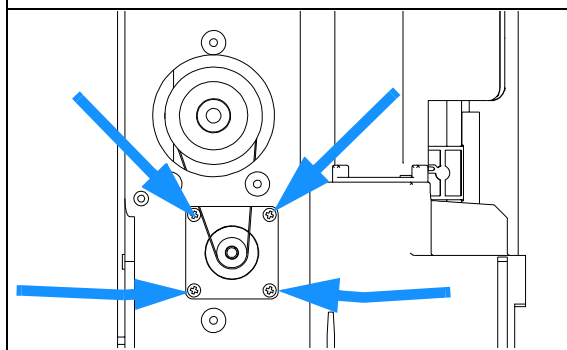
11 Place the belt over the shaft.



12 Feed the motor cable through to the SUD board. Connect the cable to (labelled "Metering M")



13 Install the motor with the four fixing screws. Ensure the belt is seated correctly over the gear and motor shaft.



On completion of this procedure:

- Install the sampling unit (page 134).
- Install the transport assembly (page 132).
- Install the top cover (page 128).
- Verify the transport assembly alignment (page 99).

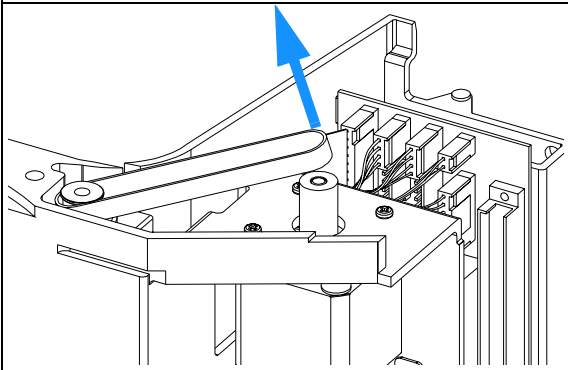
Needle-Drive Motor and Belt

Frequency	When defective
Tools required	Pozidrive No. 1 screwdriver
Parts required	Needle-drive motor 5062-8590 Belt 1500-0697

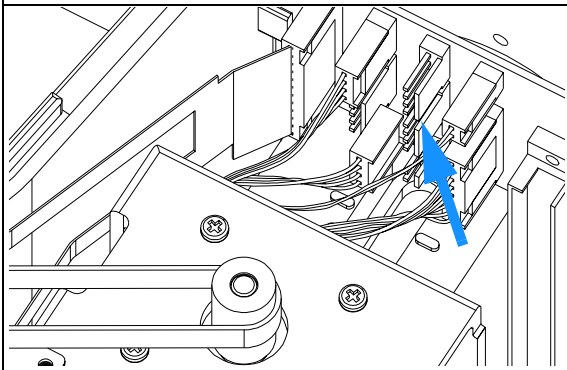
Before beginning this procedure:

- ❑ Remove the top cover (page 128).

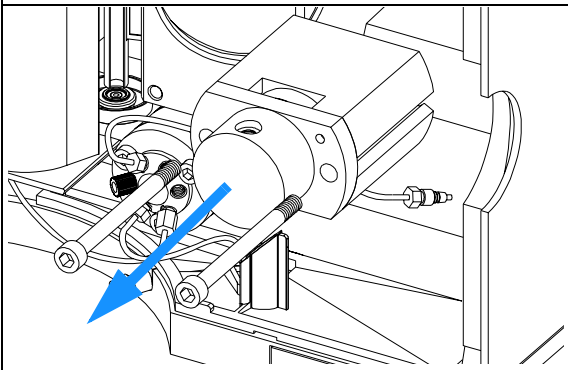
14 Lift away the drive belt.



15 Disconnect the motor connector from the SUD board (labelled "Needle M").

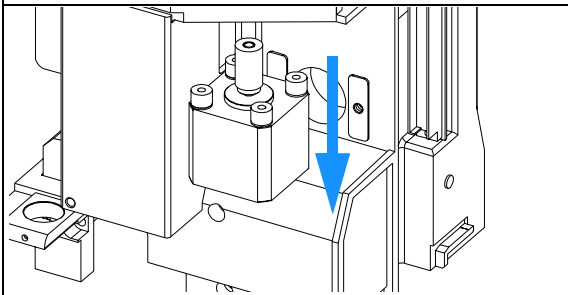


16 Remove the metering head assembly (see "Gripper Arm" on page 123).

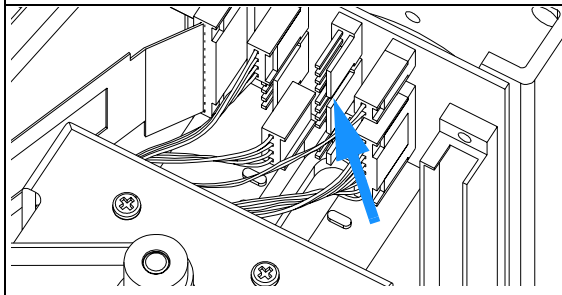


Repairing the Autosampler
Needle-Drive Motor and Belt

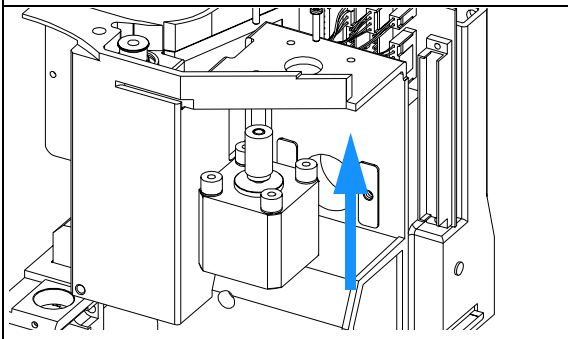
17 Remove the four fixing screws, and remove the motor.



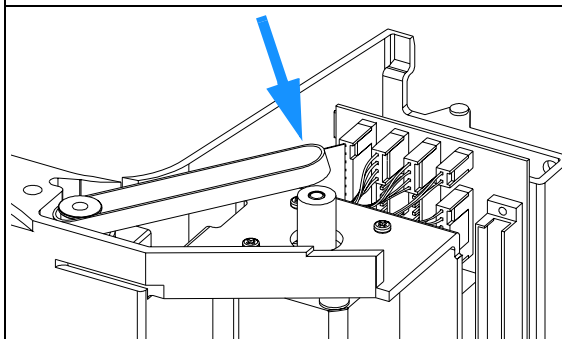
18 Feed the motor cable through to the SUD board. Connect the cable to the connector, labelled "Needle M".



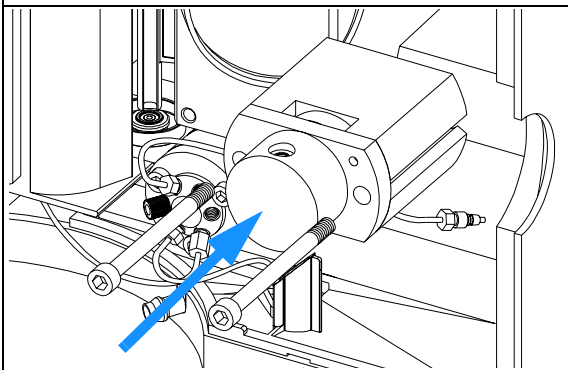
19 Secure the motor in place with the four fixing screws.



20 Install the belt.



21 Install the metering-head assembly (see "Gripper Arm" on page 123).



On completion of this procedure:

- Install the top cover (page 128).
- Verify the transport assembly alignment (page 99).

Fan

Frequency When defective.

Tools required None.

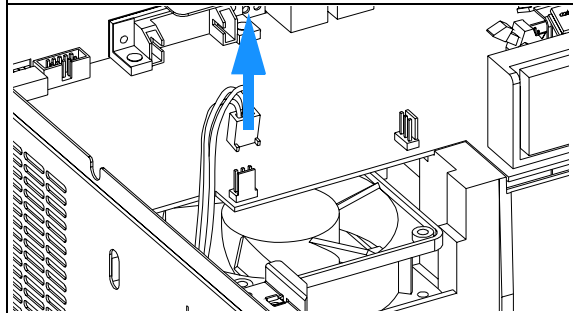
Parts required Fan 3160-1017

CAUTION The ASM board is sensitive to electrostatic discharge. Always use the ESD strap (see “Using the ESD Strap” on page 105) when handling electronic boards.

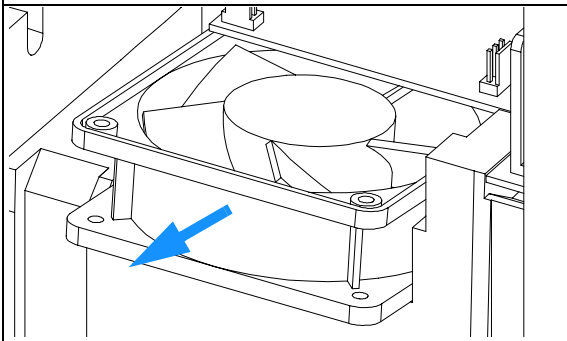
Before beginning this procedure:

- Remove the top cover and foam (page 128).
- Remove the transport assembly (page 132).

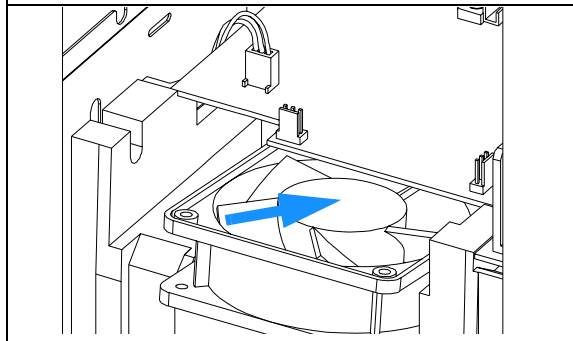
1 Disconnect the fan connector from the ASM board.



2 Lift the fan, and carefully pull the fan out of the foam.

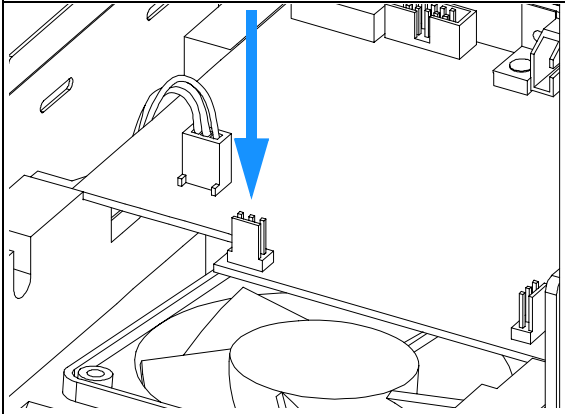


3 Install the new fan. Ensure the cable is installed as shown.



Fan

4 Connect the fan connector to the ASM board.



On completion of this procedure:

- Install the transport assembly (page 132).
- Install the top cover and foam (page 128).
- Verify the transport assembly alignment (page 99).

ASM Board

Frequency	When defective
Tools required	5 mm wrench (for remote-connector screws). 7 mm wrench (for GPIB connector screws).
Parts required	ASM board G1313-69520 <i>for G1313A</i> ASM board G1329-69500 <i>for G1329A - G1389A - G2260A</i>

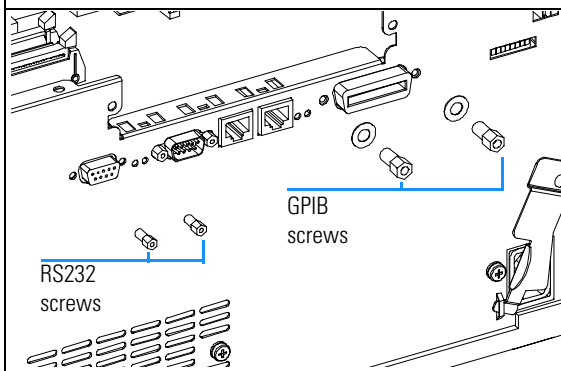
CAUTION The ASM board is sensitive to electrostatic discharge. Always use the ESD strap (see “Using the ESD Strap” on page 105) when handling electronic boards.

NOTE This procedure requires reloading the autosampler firmware, reprogramming of the instrument serial number, and realignment of the gripper.

Before beginning this procedure:

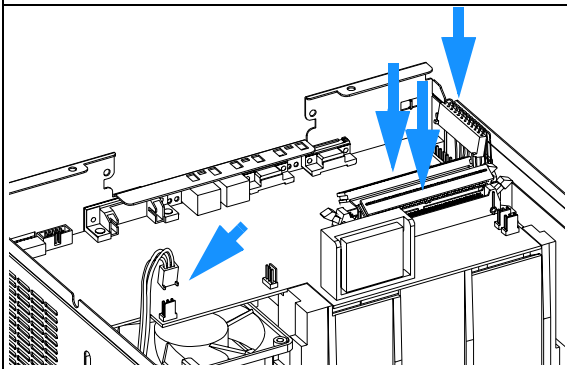
- Remove the top cover and foam (page 128).
- Remove the transport assembly (page 132).

1 Remove the connector screws from the GPIB and RS232 connectors.

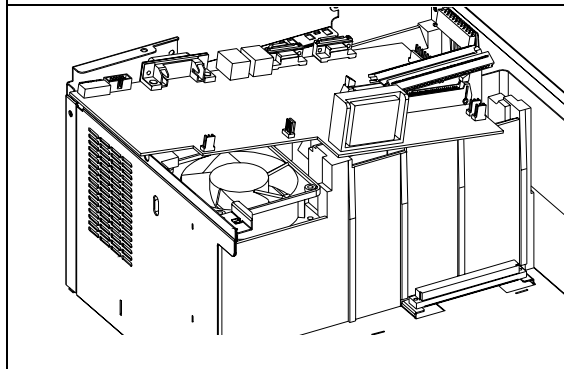


Repairing the Autosampler
ASM Board

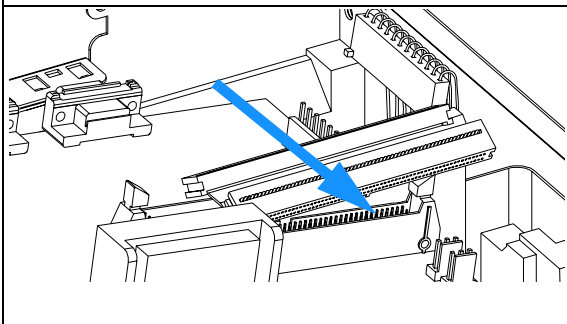
2 Disconnect all connectors on ASM board.



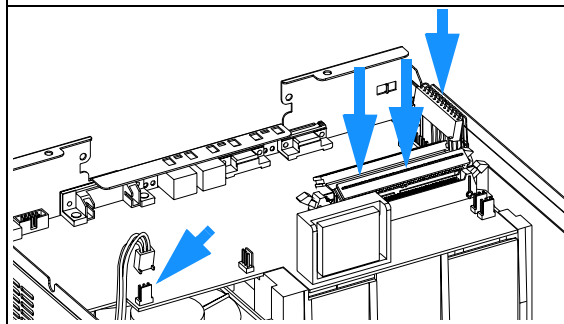
3 Slide ASM board out of the autosampler.



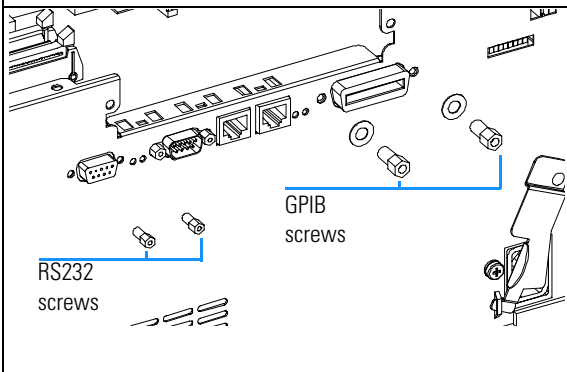
4 Install new board. Ensure ribbon cables are positioned in the slot in the board.



5 Reconnect the connectors to the board.



6 Replace GPIB and RS232 connector screws.



On completion of this procedure:

On the new board check the switch setting of address switch S1, see Table 53 on page 236, or Table 54 on page 237.

Note:

An incorrect switch setting (e.g., TEST/BOOT) may cause the autosampler to turn in a basic mode (yellow or red flashing status light). In such a case turn off the pump, re-set the address switches, and turn on the pump again.

- 7 Install the transport assembly (page 132).
- 8 Install the top cover and foam (page 128).
- 9 Turn on the autosampler.
- 10 Enter the 10-character autosampler serial number. The serial number can be entered using either the control module or the ChemStation, see “Entering the Serial Number using the Control Module” on page 150 or see “Entering the Serial Number using the ChemStation” on page 151.
- 11 Check the firmware revision of the autosampler. If the firmware revision is older than the current firmware revision of the autosampler, update the firmware, see “Replacing the Autosampler Firmware” on page 151

Entering the Serial Number using the Control Module

- 1 Connect the control module to the autosampler. Turn on the autosampler.
- 2 In the control module, press *System (F5)*, then *Records (F4)*. Using the up/down arrows, make sure that the autosampler is highlighted.
- 3 Press *FW Update (F5)*. Now, press the *m* key. This will display a box which says ‘*Update Enter Serial#*’.
- 4 Press *Enter*. This will display the box labeled *Serial#*.
- 5 Letters and numbers are created using the up and down arrows. Into the box labeled *Serial#*, enter the 10-character serial number for the autosampler. When the 10-character serial number is entered, press *Enter* to highlight the complete serial number. Then, press *Done (F6)*.

NOTE

For firmware revisions below A02.00 it is very important never to press *Done* if the *Serial#* box is blank. In this case, the module can no longer be recognized by either the control module or the ChemStation. The main board must then be replaced.

- 6 Turn the autosampler off, then on again. The *Records* screen should display the correct serial number for this module.
- 7 If a ChemStation is also connected, re-boot the ChemStation now as well.

Entering the Serial Number using the ChemStation

Module serial numbers are entered by typing specific commands into the command line at the bottom of the main user interface screen.

- 1** To enter a module serial number, type the following command into the command line:

```
print sendmodule$(lals, "ser YYYYYYYYYY")
```

Where: YYYYYYYYYY is the 10-character serial number of the module in question.

NOTE

The first two characters are letters, which should be capitalized.

The reply line will respond with RA 0000 SER followed by the module serial number you just entered.

- 2** Turn off the autosampler, then on again. Then, re-boot the ChemStation. If the serial number you have just entered is different than the original module serial number, you will be given the opportunity to edit the configure Agilent 1100 access screen during the re-boot of the ChemStation.
- 3** After boot-up, the serial number you have just entered can be seen under the *Instrument menu* of the main user interface screen. The serial number of the autosampler can also be seen by typing the following command into the command line:

```
print sendmodule$(lals, "ser?")
```

The reply line will give the module serial number.

Replacing the Autosampler Firmware

The installation of new firmware is required

- if new version solves problems of currently installed version.
- if after exchange of the mainboard (ASM) the version on board is older than previous installed one.

To upgrade the autosampler firmware the following steps have to be performed:

- 1** Load the firmware into the autosampler, see the help system of your user interface.

SUD Board

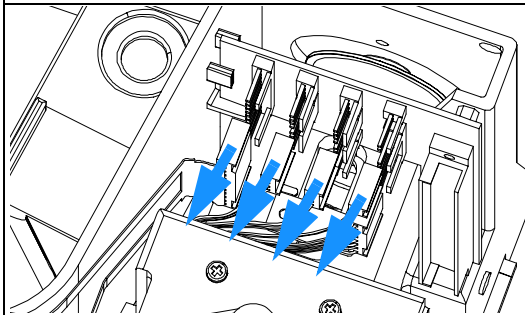
Frequency	When defective.
Tools required	Pozidrive No. 1 screwdriver.
Parts required	SUD board G1313-66503.

CAUTION Take care not to damage the flex board when removing the SUD board.

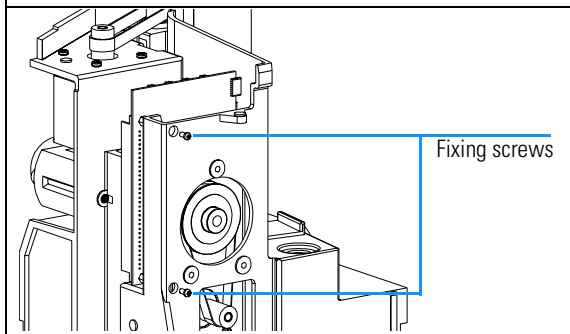
Before beginning this procedure:

- Remove the top cover (page 128).
- Remove the transport assembly (page 132).
- Remove the sampling unit (page 134).

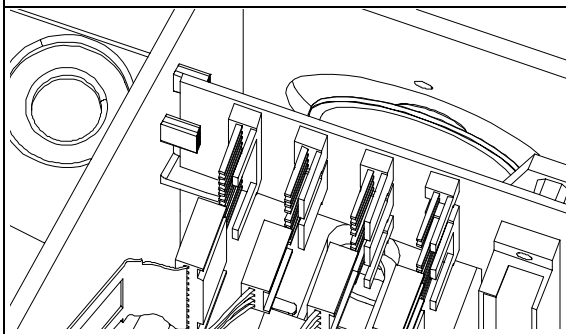
1 Disconnect all connectors from the SUD board.



2 Remove the two fixing screws, and lift out the board.

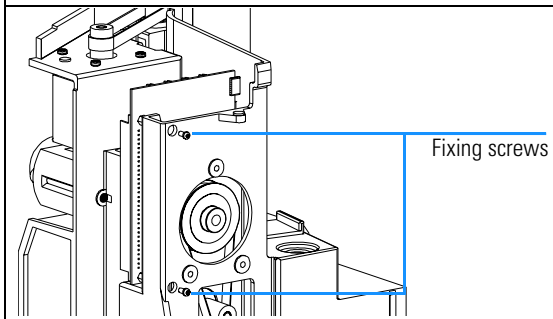


3 Install the new board. Ensure the board is positioned between the board guide.

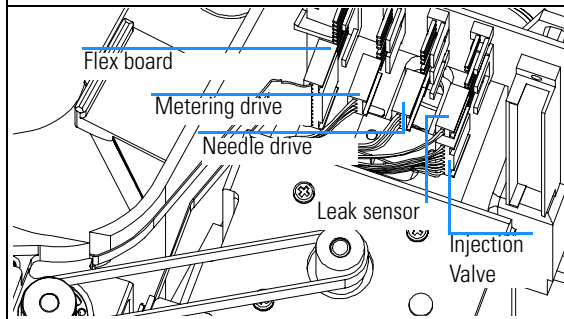


Repairing the Autosampler
SUD Board

4 Secure the board in place with the two screws.



5 Reconnect all the connectors to the new board.



On completion of this procedure:

- Install the sampling unit (page 134).
- Install the transport assembly (page 132).
- Install the top cover (page 128).
- Verify the transport assembly alignment (page 99).

Power Supply

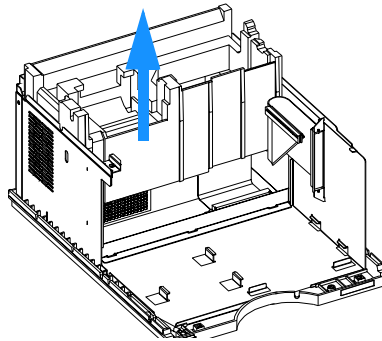
Frequency	When defective
Tools required	Pozidrive No. 1 screwdriver
Parts required	Power supply 0950-2528.

CAUTION The ASM board is sensitive to electrostatic discharge. Always use the ESD strap (see “Using the ESD Strap” on page 105) when handling electronic boards.

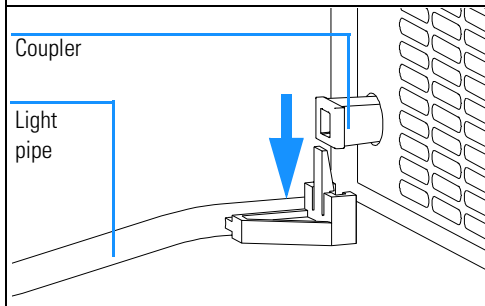
Before beginning this procedure:

- Remove the top cover (page 128).
- Remove the transport assembly (page 132).
- Remove the sampling unit (page 134).
- Remove the ASM board (page 148).
- Remove the fan (page 146).

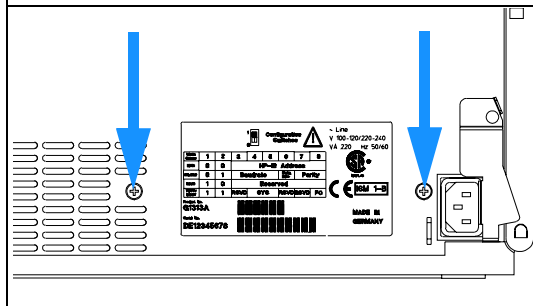
1 Remove the bottom foam.



2 Remove the power switch light pipe from the coupler.

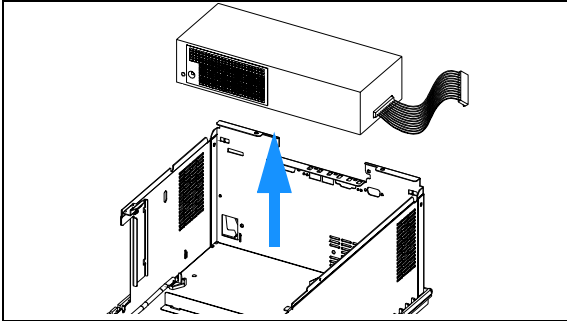


3 Remove the two screws from the rear panel.

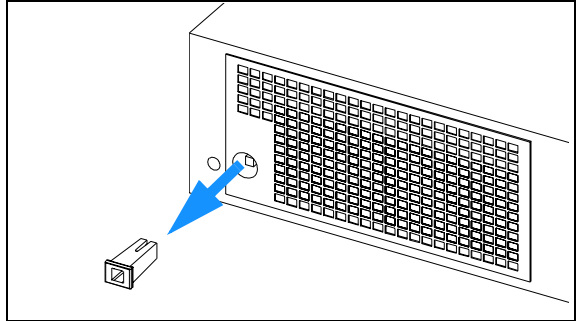


Repairing the Autosampler
Power Supply

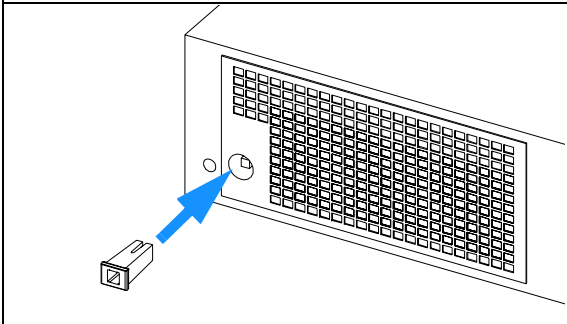
4 Lift the power supply out of the module.



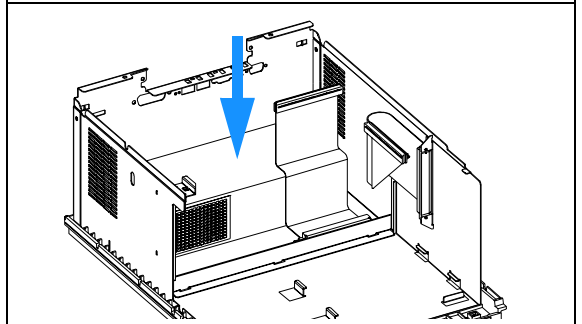
5 Remove the coupler from the of the power supply.



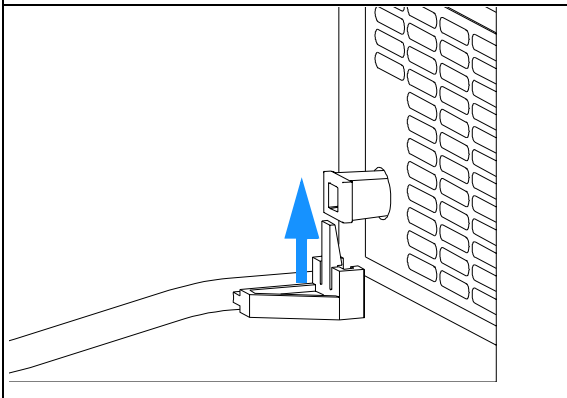
6 Insert the coupler onto the switch of the new power supply.



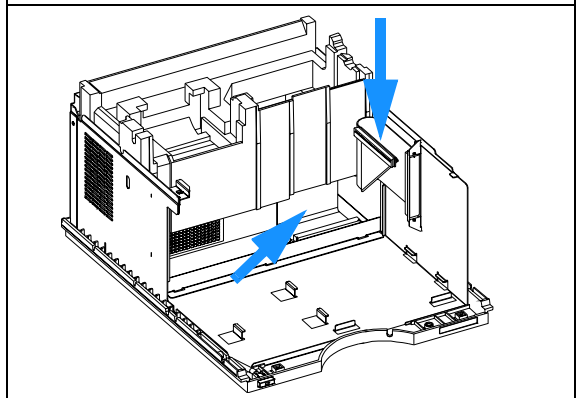
7 Install the power supply in the module.



8 Connect the light pipe to the coupler.



9 Install the bottom foam. Ensure the cables are positioned as shown.



On completion of this procedure:

- Install the ASM board (page 148).
- Install the fan (page 146).
- Install the sampling unit (page 134).
- Install the transport assembly (page 132).
- Install the top cover (page 128).
- Verify the transport assembly alignment (page 99).

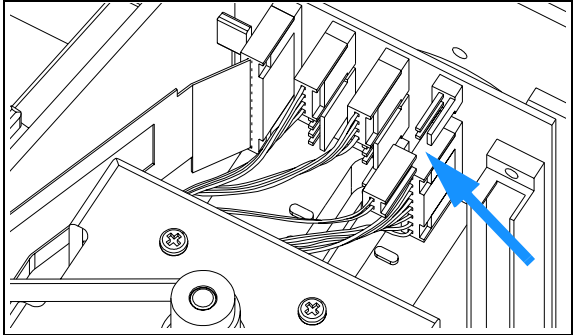
Leak Sensor

Frequency	When defective
Tools required	None.
Parts required	Leak sensor 5061-3356.

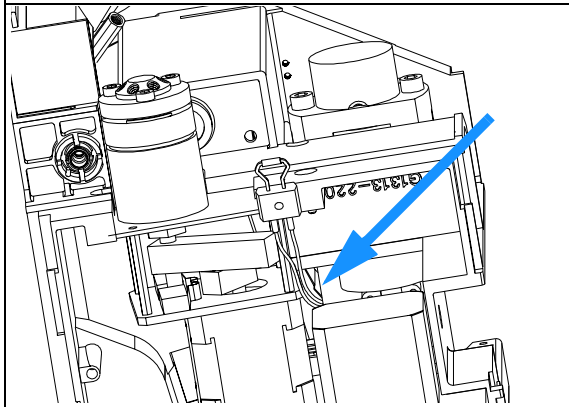
Before beginning this procedure:

- ❑ Remove the top cover (page 128).
- ❑ Remove the transport assembly (page 132).
- ❑ Remove the sampling unit (page 134).

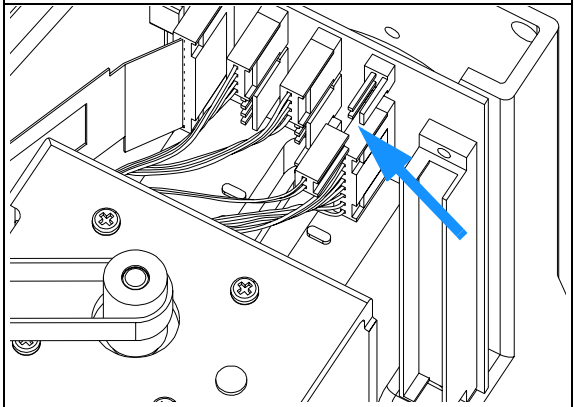
1 Disconnect the leak sensor from the SUD board (labelled “leak sensor”). Remove the sensor.



2 Feed the cable of the new sensor through the base of the sampling unit to the SUD board.



3 Connect the connector to the connector (labelled “leak sensor”).



On completion of this procedure:

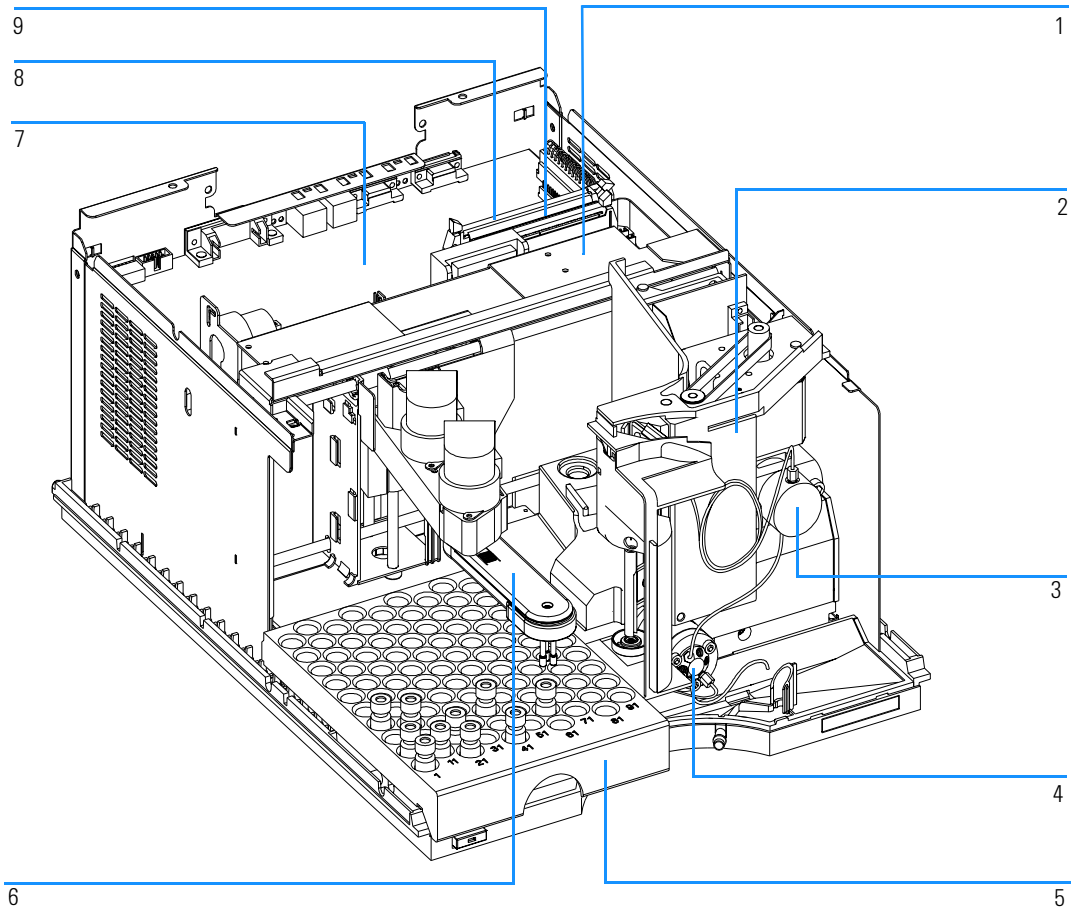
- Install the sampling unit (page 134).
- Install the transport assembly (page 132).
- Install the top cover (page 128).
- Verify the transport assembly alignment (page 99).

Parts and Materials

Detailed illustrations and lists for identification of parts and materials

Main Assemblies

Figure 19 Autosampler Main Assemblies



Parts and Materials

Main Assemblies

Table 17

Autosampler Main Assemblies		
Item	Description	Part Number
1	Transport assembly <i>for G1313A</i>	G1313-60009
	Transport assembly <i>for G1329A-1389A-2260A</i>	G1329-60009
2	Sampling unit assembly <i>for G1313A</i>	G1313-60008
	Sampling unit assembly <i>for G1329A</i>	G1329-60008
	Sampling unit assembly <i>for G1389A</i>	G1329-60018
	Sampling unit assembly <i>for G2260A</i> (The assy comes without injection valve and analytical head)	G2260-60008
3	Analytical head assembly (100 µl) <i>for G1313-29A</i>	01078-60003
	Analytical head assembly (40 µl) <i>for G1389A</i>	G1377-60013
	Preparative head assembly (900 µl) <i>for G1313-29A (P<200Bar)</i>	G1313-60007
	Preparative head assembly (900 µl) <i>for G2260A (P<400Bar)</i>	G2260-60007
4	Injection valve assembly <i>for G1313-29A</i>	0101-0921
	Injection valve assembly <i>for G1389A</i>	0101-1050
	Injection valve assembly <i>for G2260A</i>	0101-1267
5	Vial tray, thermostatted (see page 175)	G1329-60001
6	Gripper assembly	G1313-60010
7	Autosampler Main Board (ASM) <i>for G1313</i>	G1313-69520
	Autosampler Main Board (ASM) <i>for G1329A-1389A-2260A</i>	G1329-69500
	Standoff - GPIB connector (part not shown)	0380-0643
	Standoff - remote connector (part not shown)	1251-7788
8	Ribbon cable, sample transport	G1313-81601
9	Ribbon cable, sampling unit	G1313-81602
	Sampler - TCC cap (380 mm 0.1 mm id) <i>for G1329A</i>	01090-87306
	Sampler - TCC cap (500 mm 0.05 mm id) <i>for G1389A 20 µl FS</i>	G1375-87304
	Sampler - TCC cap (500 mm 0.075 mm id) <i>for G1389A 100 µl FS</i>	G1375-87311
	Sampler - Column cap (600 mm, 0.5 mm id) <i>for G2260A</i>	G2260-87300
	Power supply assembly (part not shown)	0950-2528
	Screw M4, 8 mm lg - power supply (part not shown)	0515-0910
	BCD board (not shown)	G1351-68701
Cable, autosampler to ALS thermostat (part not shown)	G1330-81600	

Sampling Unit Assembly

Figure 20 Autosampler Sampling Unit Assembly

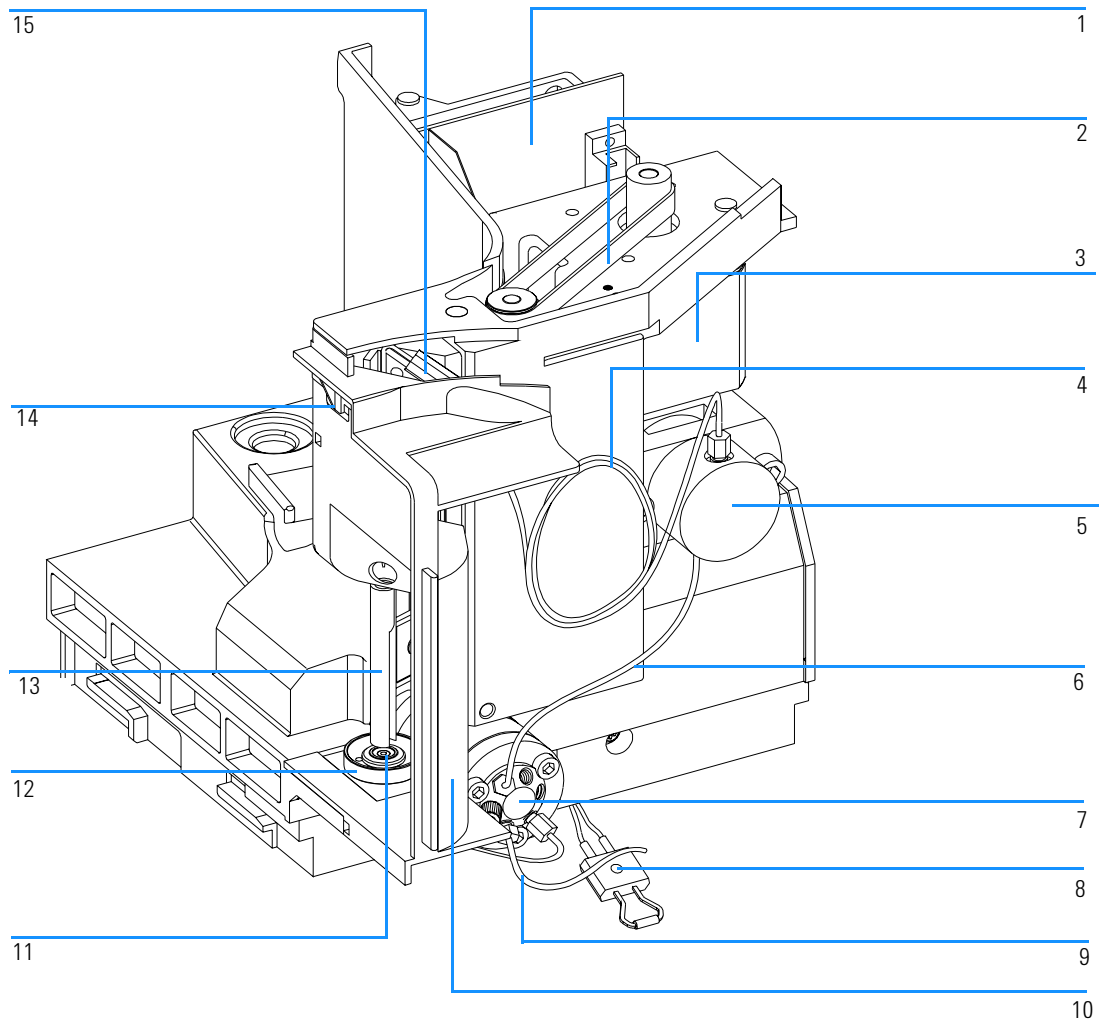


Table 18

Autosampler Sampling Unit Assembly

Item	Description	Part Number
	Sampling unit assembly <i>for G1313A</i>	G1313-60008
	Sampling unit assembly <i>for G1329A</i>	G1329-60008
	Sampling unit assembly <i>for G1389A</i>	G1329-60018
	Sampling unit assembly <i>for G2260A</i> (The assy comes without injection valve and analytical head)	G2260-60008
1	Sampling unit connector board (SUD)	G1313-66503
2	Belt gear <i>for metering unit and needle arm</i>	1500-0697
3	Stepper motor <i>for metering unit and needle arm</i>	5062-8590
4	Loop capillary (100 µl) <i>for G1313-29A / G2260A</i>	01078-87302
	Loop capillary (40 µl) <i>for G1389A</i>	G1329-87302
	Loop capillary (8 µl) <i>for G1389A</i>	G1375-87303
	Loop ext. capillary (900 µl) <i>for G1313-29A / G2260A</i>	G1313-87303
	Union for (900 µl) loop extension capillary	5022-2133
5	Analytical head assembly (100 µl) <i>for G1313-29A</i>	01078-60003
	Analytical head assembly (40 µl) <i>for G1389A</i>	G1377-60013
	Preparative head assembly (900 µl) <i>for G1313-29A (P<200Bar)</i>	G1313-60007
	Preparative head assembly (900 µl) <i>for G2260A (P<400Bar)</i>	G2260-60007
6	Inj. valve - Anal. head cap (160 mm 0.25 mm) <i>for G1313-29A</i>	G1313-87301
	Inj. valve - Anal. head cap (200 mm 0.05 mm) <i>for G1389A 20 µl FS</i>	G1375-87302
	Inj. valve - Anal. head cap (200 mm 0.10 mm) <i>for G1389A 100 µl FS</i>	G1375-87312
	Inj. valve - Prep. head cap (160 mm 0.50 mm) <i>for G2260A</i>	G2258-87301
7	Injection valve assembly <i>for G1313-29A</i>	0101-0921
	Injection valve assembly <i>for G1389A</i>	0101-1050
	Injection valve assembly <i>for G2260A</i>	0101-1267
8	Leak sensor	5061-3356
9	Waste tube injection valve assy (120 mm) <i>for G1313-29A / G2260A</i>	G1313-87300
	Waste tube injection valve assy (120 mm 0.25 mm) <i>for G1389A</i>	G1377-87301
10	Safety cover	G1329-44105

Table 18

Autosampler Sampling Unit Assembly

Item	Description	Part Number
11	Needle-seat assy (0.17 mm i.d 2.3 µl) <i>for G1313-29A (STANDARD)</i>	G1313-87101
	Needle-seat assy (0.12 mm i.d 1.2 µl) <i>for G1313-29A</i>	G1313-87103
	Needle seat assy (0.10 mm i.d 1.2 µl) <i>for G1389A (STANDARD)</i>	G1329-87101
	Needle seat assy (0.05 mm i.d 0.3 µl) <i>for G1389A</i>	G1329-87103
	Needle-seat assy (0.50 mm i.d 20 µl) <i>for G2260A</i>	G2260-87101
12	Seat adapter	G1313-43204
13	Safety flap	G1313-44106
14	Flex board	G1313-68715
15	Needle assembly <i>for G1313-87101 or G1313-87103 needle-seat</i>	G1313-87201
	Needle assembly <i>for G1329-87101 or G1329-87103 needle seat</i>	G1329-80001
	Needle assembly (900 µl loop capillary) <i>for G1313-87101 needle seat</i>	G1313-87202
	Needle assembly (900 µl loop capillary) <i>for G2260-87101 needle-seat</i>	G2260-87201
	Clamp Kit (includes needle clamp and 2 x clamp screw)	G1313-68713

Analytical-Head Assembly

Table 19

Analytical-Head Assembly (100 µl) for G1313A / G1329A

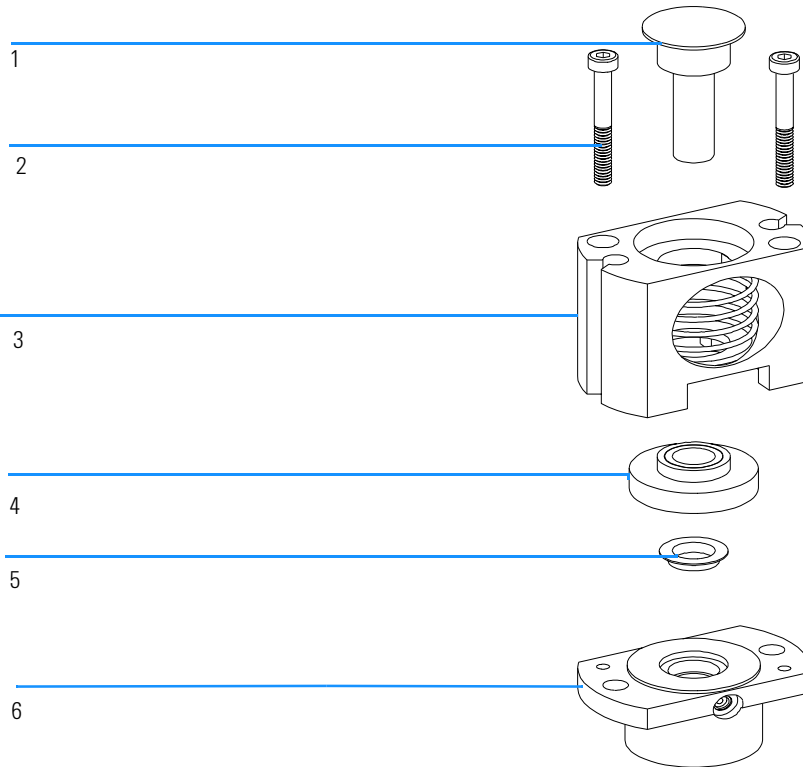
Item	Description	Part Number
	Analytical head assembly, includes items 1 – 6	01078-60003
1	Screws	0515-0850
2	Plunger assembly	5063-6586
3	Adapter	01078-23202
4	Support seal assembly	5001-3739
5	Metering seal (pack of 2)	5063-6589
6	Head body	01078-27710
	Screw M5, 60 mm lg, for mounting of assembly	0515-2118

Table 20

Analytical-Head Assembly (40 µl) for G1389A

Item	Description	Part Number
	Micro Analytical head assembly 40 µl, includes items 1 – 6	G1377-60013
1	Micro Plunger assembly	5064-8293
2	Screws	0515-0850
3	Adapter	01078-23202
4	Micro seal support assembly	G1377-60002
5	Metering seal (pack of 1)	5022-2175
6	Head body	G1377-27700
	Screw M5, 60 mm lg, for mounting of assembly	0515-2118

Figure 21 Analytical-Head Assembly



Parts and Materials
Analytical-Head Assembly

Table 21

Preparative-Head Assembly (900 µl) for G1313A / G1329A

Item	Description	Part Number
	Analytical head assembly 900 µl*, includes items 1 – 6	G1313-60007
1	Plunger assembly, 900 µl	5062-8587
2	Screws	0515-0850
3	Adapter	01078-23202
4	Support seal assembly, 900 µl	5001-3764
5	Metering seal, 900 µl	0905-1294
6	Head body, 900 µl	G1313-27700
	Screw M5, 60 mm lg, for mounting of assembly	0515-2118

* This head is limited to 200 Bars

Table 22

Preparative-Head Assembly (900 µl) for G2260A

Item	Description	Part Number
	Analytical head assembly 900 µl*, includes items 1 – 6	G2260-60007
1	Plunger assembly, 900 µl	5062-8587
2	Screws	0515-0850
3	Adapter	01078-23202
4	Support seal assembly, 900 µl	5001-3764
5	Metering seal, 900 µl	0905-1294
6	Head body, 900 µl	G2260-27700
	Screw M5, 60 mm lg, for mounting of assembly	0515-2118

* This head is limited to 400 Bars. It can only be assembled on a sampling unit with the description "supports 900 µl at 400 Bar."

Injection-Valve Assembly

Table 23

Injection-Valve Assembly for G1313A / G1329A

Item	Description	Part Number
1	Injection-valve assembly, includes items 1 – 6	0101-0921
2	Isolation seal	0100-1852
3	Rotor seal (Vespel)	0100-1853
3	Rotor seal (Tefzel)	0100-1849
4	Stator face	0100-1851
5	Stator head	0100-1850
6	Stator screws	1535-4857

Table 24

Micro Injection-Valve Assembly for G1389A

The micro injection valve assembly has no ceramic stator face

Item	Description	Part Number
1	Micro Inj.-valve assy, incl. items 1 – 2 – 3 – 5 – 6	0101-1050
2	Isolation seal	0100-1852
3	Micro rotor seal (Vespel)	0100-2088
5	Micro Stator head	0100-2089
6	Stator screws	1535-4857

Parts and Materials
Injection-Valve Assembly

Table 25

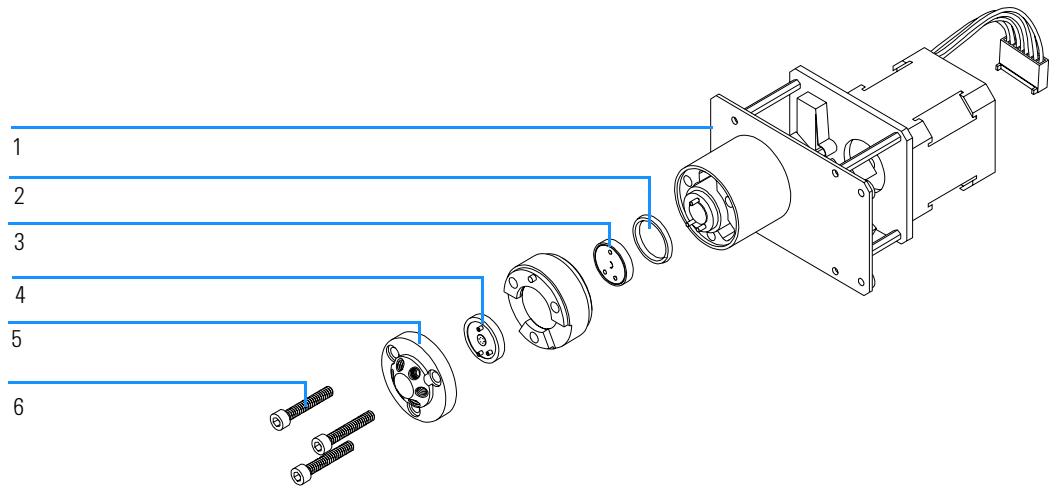
Preparative Injection-Valve Assembly for G2260A

Item	Description	Part Number
1	MBB [*] -Injection-valve assembly, includes items 1 – 6	0101-1267
2	Isolation seal	0100-1852
3 - 4	Rotor seal (PEEK) + Stator face (PEEK) kit	0101-1268
5	Stator head	0100-2195
6	Stator screws	1535-4857

* MBB (Make Before Brake) is a trademark by Rheodyne

Figure 22

Injection-Valve Assembly



Sheet Metal Kit

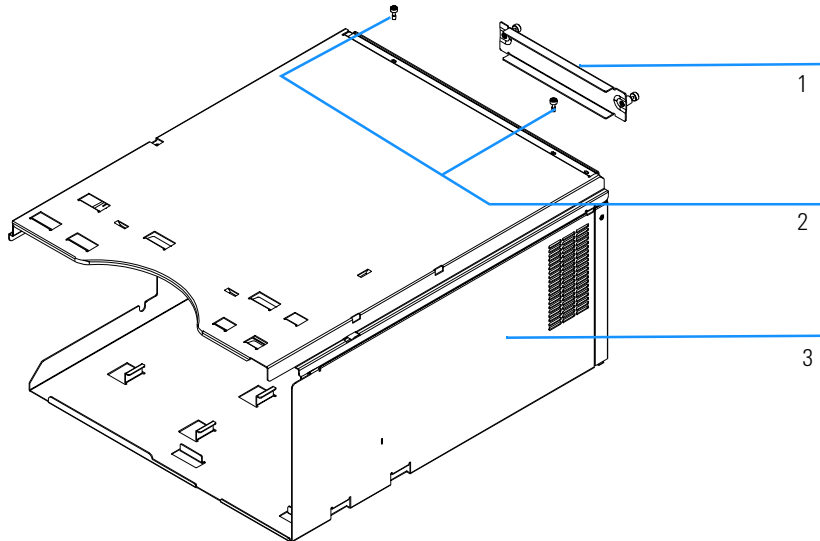
Table 26

Sheet Metal

Item	Description	Part Number
1	Slot cover	5001-3772
2	Screw cover	5022-2112
3	Autosampler Sheet metal kit for G1313A	G1313-68701
	Autosampler Sheet metal kit for G1329A / G1389A / G2260A	G1329-68701

Figure 23

Sheet Metal Kit



Cover Parts

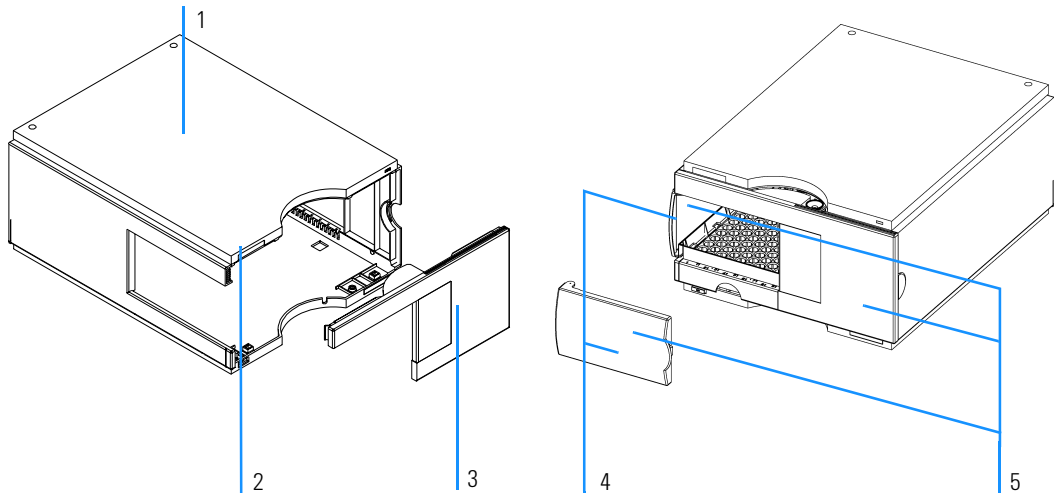
Table 27

Covers

Item	Description	Part Number
1	Autosampler Cover kit for <i>G1313A</i> Autosampler Cover kit for <i>G1329A / G1389A / G2260A</i> (include base, side panels and top cover)	G1313-68703 G1329-68703
2	Name plate for Agilent 1100 Series	5042-1381
3	Transparent front cover	G1313-68704
4	Door repair kit (includes transparent side and front door)	G1329-68707
5	Light protection kit (includes opaque side and front door, opaque front cover)	G1329-68708
	Cabinet upgrade kit (includes side panels, top cover, transparent side and front door, front cover and side insulation cover for cooled autosampler)	G1329-68706

Figure 24

Cover Parts



Foam Parts

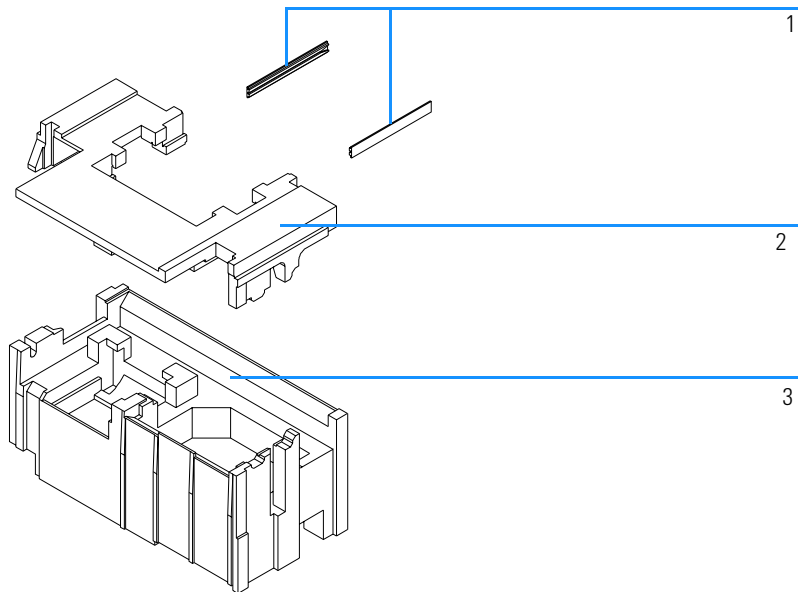
Table 28

Foam Parts

Item	Description	Part Number
	Foam kit, includes items 2 and 3	G1313-68702
1	Board guides	5041-8395
2	Top foam	Order foam kit
3	Bottom foam	Order foam kit

Figure 25

Foam Parts



Power and Status Light Pipes

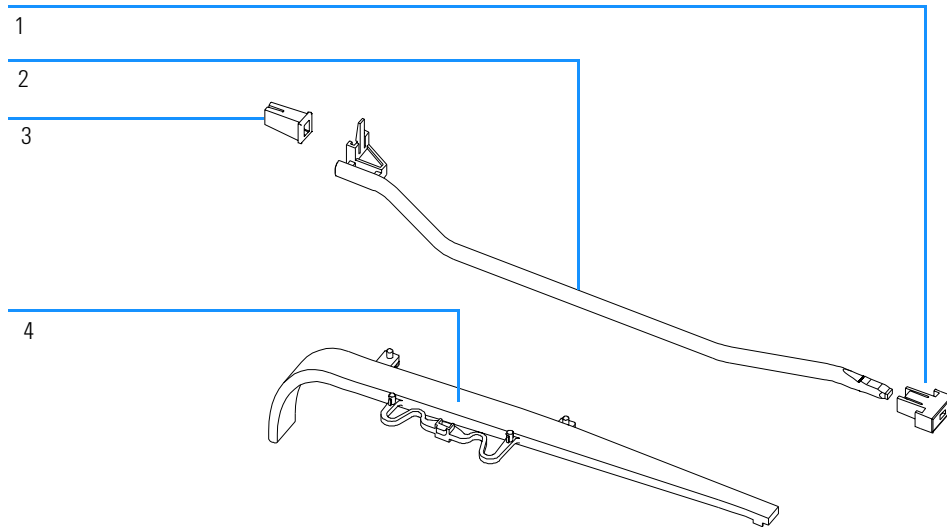
Table 29

Power and Status Light Pipes

Item	Description	Part Number
1	Power switch button	5041-8381
2	Light pipe — power switch	5041-8382
3	Power switch coupler	5041-8383
4	Light pipe — status lamp	5041-8384

Figure 26

Power and Status Light Pipes



Leak System Parts

Table 30

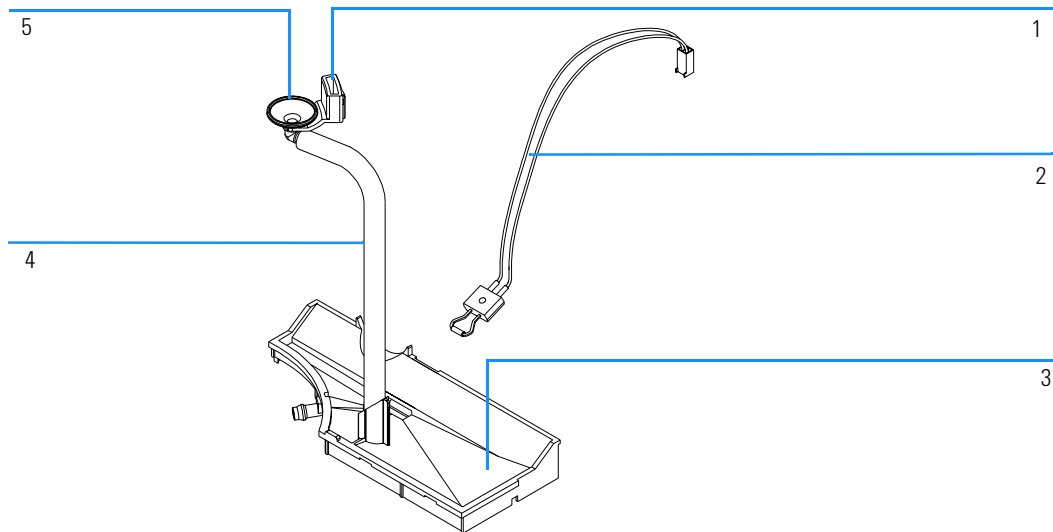
Leak System Parts

Item	Description	Part Number
1	Leak funnel holder	5041-8389
2	Leak sensor	5061-3356
3	Leak plane	G1313-44501
4	Leak tubing 120 mm*	5062-2463
5	Leak funnel	5041-8388

* reorder gives 5 m

Figure 27

Leak System Parts



Vial Trays

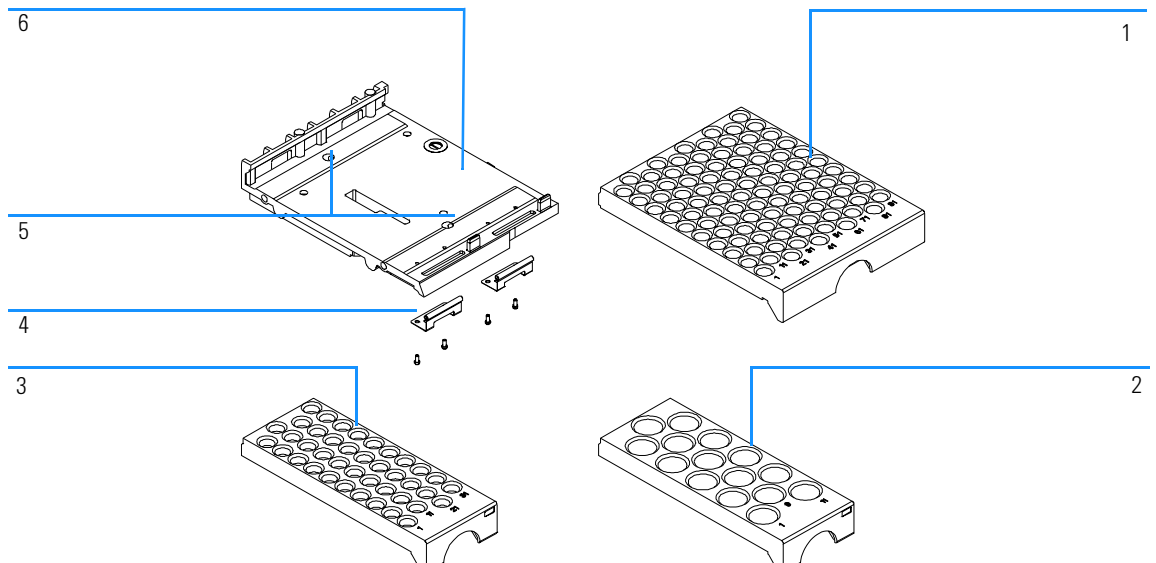
Table 31

Autosampler Vial Trays and Tray Base

Item	Description	Part Number
1	Tray for 100 × 2-ml vials	G1313-44500
2	Halftray for 15 × 6-ml vials	G1313-44503
3	Halftray for 40 × 2-ml vials	G1313-44502
4	Spring	G1313-09101
5	Spring stud	0570-1574
6	Tray base for <i>G1313A</i> (includes items 4, 5).	G1313-60002

Figure 28

Vial Trays and Tray Base



Parts and Materials

Vial Trays

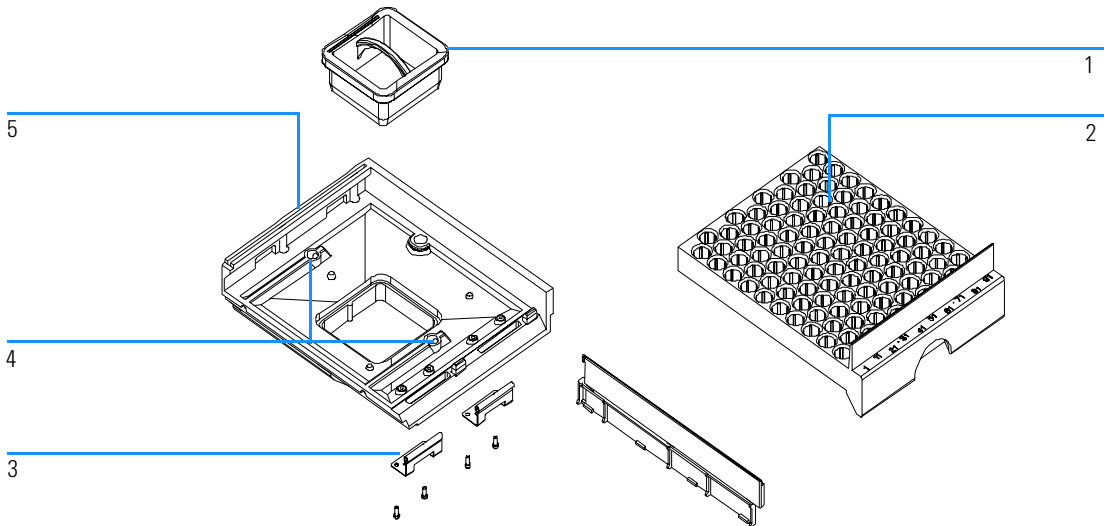
Table 32

Thermostatted Autosampler Vial Trays and Tray Base

Item	Description	Part Number
1	Adapter, air channel	G1329-43200
2	Tray for 100 × 2-ml vials, thermostattable	G1329-60001
3	Spring	G1313-09101
4	Tray base for G1329A /G1389A / G2260A (includes items 4, 5).	G1329-60000
5	Spring stud	0570-1574

Figure 29

Thermostatted Autosampler Vial Trays and Tray Base



Autosampler Accessory Kit G1313-68705

Table 33**G1313A - Autosampler Accessory Kit Contents G1313-68705**

Description	Part Number
Tubing assembly	no PN
Filter promo kit	no PN
CAN cable	5181-1516
Screw cap vials, clear 100/pk	5182-0714
Blue screw caps 100/pk	5182-0717
Label halftray	no PN
Vial instruction sheet	no PN
Wrenches 1/4 - 5/16 inch	8710-0510
Rheotool socket wrench 1/4 inch	8710-2391
Hex key 4 mm, 15 cm long, T-handle	8710-2392
Hex key 9/64 mm, 15 cm long, T- handle	8710-2394
Hex key 2.5 mm, 15 cm long, straight handle	8710-2412
ESD wrist strap	no PN
Finger caps (x3) [*]	5063-6506
Tray for 40 x 2 ml vials	G1313-44502
Tray for 15 x 6 ml vials	G1313-44503
Capillary 0.17 mm 180 mm	G1313-87305

^{*} Reorder gives pack of 15

Thermostatted Autosampler Accessory Kit G1329-68705

Table 34**G1329A - Thermostatted Autosampler Accessory Kit Contents G1329-68705**

Description	Part Number
Tubing assembly	no PN
Filter promo kit	no PN
CAN cable, 1 m long	5181-1519
Screw cap vials, clear 100/pk	5182-0714
Blue screw caps 100/pk	5182-0717
Label halftray	no PN
Vial instruction sheet	no PN
Wrenches 1/4 - 5/16 inch	8710-0510
Rheotool socket wrench 1/4 inch	8710-2391
Hex key 4 mm, 15 cm long, T-handle	8710-2392
Hex key 9/64 mm, 15 cm long, T- handle	8710-2394
Hex key 2.5 mm, 15 cm long, straight handle	8710-2412
ESD wrist strap	no PN
Finger caps x3 (reorder gives pack of 15)	5063-6506
Front door cooled autosampler	no PN
Air channel adapter	G1329-43200
Cover insulation	no PN
Capillary 0.17 mm, 900 mm	G1329-87300
Capillary heat exchanger	01090-87306
Note for 1100 Series Autosampler door upgrade	no PN

Micro Thermostatted Autosampler Accessory Kit G1329-68715

Table 35

G1389A - Micro Thermostatted Autosampler Accessory Kit Contents G1329-68715

Description	Part Number
Tubing assembly	no PN
CAN cable, 1 m long	5181-1519
Screw cap vials, clear 100/pk	5182-0714
Blue screw caps 100/pk	5182-0717
Label halftray	no PN
Fitting	5061-3303
Hex Key	8710-0060
Wrench 4 mm both ends	8710-1534
Wrenches 1/4 - 5/16 inch	8710-0510
Rheotool socket wrench 1/4 inch	8710-2391
Hex key 4 mm, 15 cm long, T-handle	8710-2392
Hex key 9/64 mm, 15 cm long, T- handle	8710-2394
Hex key 2.5 mm, 15 cm long, straight handle	8710-2412
ESD wrist strap	no PN
Finger caps x3 (reorder gives pack of 15)	5063-6506
Torque adapter	G1315-45003
Front door cooled autosampler	no PN
Air channel adapter	G1329-43200
Extended loop capillary 0.25 mm, 180 mm	G1329-87302
Fused silica capillary 0.050 mm, 500 mm	G1375-87304

Preparative ALS Accessory Kit G2260-68705

Table 36

G2260A - Preparative Autosampler Accessory Kit Contents G2260-68705

Description	Part Number
Tubing assembly	no PN
Filter promo kit	no PN
CAN cable, 1 m long	5181-1519
Screw cap vials, clear 100/pk	5182-0714
Blue screw caps 100/pk	5182-0717
Label halftray	no PN
Wrenches 1/4 - 5/16 inch	8710-0510
Rheotool socket wrench 1/4 inch	8710-2391
Hex key 4 mm, 15 cm long, T-handle	8710-2392
Hex key 9/64 mm, 15 cm long, T-handle	8710-2394
Hex key 2.5 mm, 15 cm long, straight handle	8710-2412
ESD wrist strap	no PN
Finger caps x3 (reorder gives pack of 15)	5063-6506
Front door cooled autosampler	no PN
Air channel adapter	G1329-43200
Tray for 15 x 6 ml vials (x2)	G1313-44503
Union, loop extension	5022-2133
Seat extension capillary (500 µl)	G1313-87307
Seat extension capillary (1500 µl)	G1313-87308
Sampler - Column capillary	G2260-87300
Pump - Sampler capillary	G2260-87301

Maintenance Kit G1313-68709

Table 37

Maintenance Kit		
Item	Description	Part Number
1	Rotor seal (Vespel)	0100-1853
2	Needle assembly	G1313-87201
3	Needle-seat assembly	G1313-87101
4	Metering seal (pack of 2)	5063-6589
5	Finger caps (pack of 15)	5063-6506

Multi-Draw Kit G1313-68711

Table 38

Multi-Draw Kit		
Item	Description	Part Number
1	Seat capillary, 500 μ l, 0.5 mm id	G1313-87307
2	Seat capillary, 1500 μ l, 0.9 mm id	G1313-87308
3	Union	0100-0900

900 µl Injection Upgrade Kit G1363A for G1313A / 29A

Table 39

900 µl Injection Upgrade Kit

Item	Description	Part Number
1	Analytical Head, 900 µl	G1313-60007
2	Loop Extension, 900 µl	G1313-87303
3	Union, loop extension	5022-2133
4	Needle, 900 µl	G1313-87202

External Tray G1313-60004

Table 40

External Tray

Item	Description	Part Number
1	External tray	G1313-60004
2	Disposal tube	G1313-27302

Cable Overview

WARNING

Never use cables other than the ones supplied by Agilent Technologies to ensure proper functionality and compliance with safety or EMC regulations.

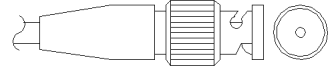
Table 41**Cables Overview**

Type	Description	Part Number
Analog cables	3390/2/3 integrators	01040-60101
	3394/6 integrators	35900-60750
	Agilent 35900A A/D converter	35900-60750
	General purpose (spade lugs)	01046-60105
Remote cables	3390 integrator	01046-60203
	3392/3 integrators	01046-60206
	3394 integrator	01046-60210
	3396A (Series I) integrator	03394-60600
	3396 Series II / 3395A integrator, see page 192	
	3396 Series III / 3395B integrator	03396-61010
	HP 1050 modules / HP 1046A FLD	5061-3378
	HP 1046A FLD	5061-3378
Agilent 35900A A/D converter	5061-3378	

Table 41**Cables Overview, continued**

Type	Description	Part Number
	HP 1040 diode-array detector	01046-60202
	HP 1090 liquid chromatographs	01046-60202
	Signal distribution module	01046-60202
BCD cables	3392/3 integrators	18594-60510
	3396 integrator	03396-60560
	General purpose (spade Lugs)	18594-60520
Auxiliary	Agilent 1100 Series vacuum degasser	G1322-61600
CAN cables	Agilent 1100 module to module, 0.5m lg	5181-1516
	Agilent 1100 module to module, 1m lg	5181-1519
	Agilent 1100 module to control module	G1323-81600
External contacts	Agilent 1100 Series interface board to general purpose	G1103-61611
GPIB cable	Agilent 1100 module to ChemStation, 1 m	10833A
	Agilent 1100 module to ChemStation, 2 m	10833B
RS-232 cable	Agilent 1100 module to a computer This kit contains a 9-pin female to 9-pin female Null Modem (printer) cable and one adapter.	34398A
LAN cable	Twisted pair cross over LAN cable, 10 feet long (for point to point connection)	5183-4649
	Category 5 UTP cable, 8 m long (for hub connections)	G1530-61480

Analog Cables



One end of these cables provides a BNC connector to be connected to Agilent 1100 Series modules. The other end depends on the instrument to which connection is being made.

Agilent 1100 to 3390/2/3 Integrators

Connector	Pin	Pin	Signal Name
01040-60101	3390/2/3	Agilent 1100	
	1	Shield	Ground
	2		Not connected
	3	Center	Signal +
	4		Connected to pin 6
	5	Shield	Analog -
	6		Connected to pin 4
	7		Key
	8		Not connected

Agilent 1100 to 3394/6 Integrators

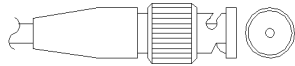
Connector	Pin	Pin	Signal Name
35900-60750	3394/6	Agilent 1100	
	1		Not connected
	2	Shield	Analog -
	3	Center	Analog +

Parts and Materials

Analog Cables

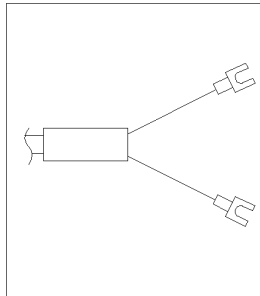
Agilent 1100 to BNC Connector

Connector	Pin	Pin	Signal Name
8120-1840	BNC	Agilent 1100	
	Shield	Shield	Analog -
	Center	Center	Analog +



Agilent 1100 to General Purpose

Connector	Pin	Pin	Signal Name
01046-60105	3394/6	Agilent 1100	
	1		Not connected
	2	Black	Analog -
	3	Red	Analog +



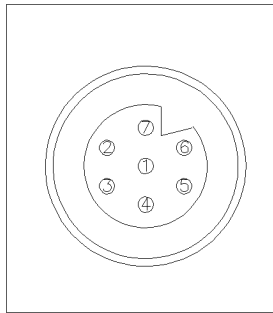
Remote Cables



One end of these cables provides a Agilent Technologies APG (Analytical Products Group) remote connector to be connected to Agilent 1100 Series modules. The other end depends on the instrument to be connected to.

Agilent 1100 to 3390 Integrators

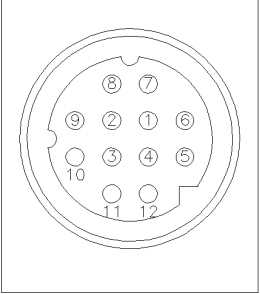
Connector	Pin	Pin	Signal Name	Active (TTL)
01046-60203	3390	Agilent 1100		
	2	1 - White	Digital ground	
	NC	2 - Brown	Prepare run	Low
	7	3 - Gray	Start	Low
	NC	4 - Blue	Shut down	Low
	NC	5 - Pink	Not connected	
	NC	6 - Yellow	Power on	High
	NC	7 - Red	Ready	High
	NC	8 - Green	Stop	Low
	NC	9 - Black	Start request	Low



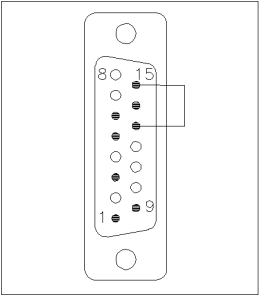
Parts and Materials

Remote Cables

Agilent 1100 to 3392/3 Integrators

Connector 01046-60206	Pin 3392/3	Pin Agilent 1100	Signal Name	Active (TTL)
 <p>4 - Key</p>	3	1 - White	Digital ground	
	NC	2 - Brown	Prepare run	Low
	11	3 - Gray	Start	Low
	NC	4 - Blue	Shut down	Low
	NC	5 - Pink	Not connected	
	NC	6 - Yellow	Power on	High
	9	7 - Red	Ready	High
	1	8 - Green	Stop	Low
	NC	9 - Black	Start request	Low

Agilent 1100 to 3394 Integrators

Connector 01046-60210	Pin 3394	Pin Agilent 1100	Signal Name	Active (TTL)
	9	1 - White	Digital ground	
	NC	2 - Brown	Prepare run	Low
	3	3 - Gray	Start	Low
	NC	4 - Blue	Shut down	Low
	NC	5 - Pink	Not connected	
	NC	6 - Yellow	Power on	High
	5,14	7 - Red	Ready	High
	6	8 - Green	Stop	Low
	1	9 - Black	Start request	Low
	13, 15		Not connected	

Parts and Materials

[Remote Cables](#)

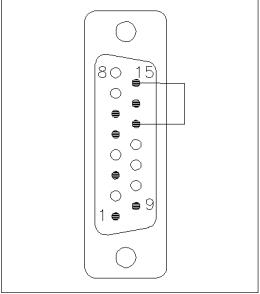
NOTE

START and STOP are connected via diodes to pin 3 of the 3394 connector.

Parts and Materials

Remote Cables

Agilent 1100 to 3396A Integrators

Connector	Pin	Pin	Signal Name	Active (TTL)
03394-60600	3394	Agilent 1100		
	9	1 - White	Digital ground	
	NC	2 - Brown	Prepare run	Low
	3	3 - Gray	Start	Low
	NC	4 - Blue	Shut down	Low
	NC	5 - Pink	Not connected	
	NC	6 - Yellow	Power on	High
	5,14	7 - Red	Ready	High
	1	8 - Green	Stop	Low
	NC	9 - Black	Start request	Low
	13, 15		Not connected	

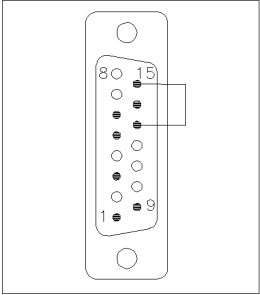
Agilent 1100 to 3396 Series II / 3395A Integrators

Use the cable 03394-60600 and cut pin #5 on the integrator side. Otherwise the integrator prints START; not ready.

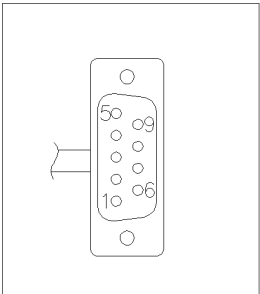
Parts and Materials

Remote Cables

Agilent 1100 to 3396 Series III / 3395B Integrators

Connector 03396-61010	Pin 33XX	Pin Agilent 1100	Signal Name	Active (TTL)
	9	1 - White	Digital ground	
	NC	2 - Brown	Prepare run	Low
	3	3 - Gray	Start	Low
	NC	4 - Blue	Shut down	Low
	NC	5 - Pink	Not connected	
	NC	6 - Yellow	Power on	High
	14	7 - Red	Ready	High
	4	8 - Green	Stop	Low
	NC	9 - Black	Start request	Low
	13, 15		Not connected	

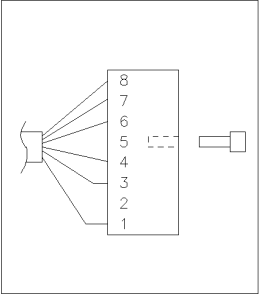
Agilent 1100 to HP 1050, HP 1046A or Agilent 35900 A/D Converters

Connector 5061-3378	Pin HP 1050/....	Pin Agilent 1100	Signal Name	Active (TTL)
	1 - White	1 - White	Digital ground	
	2 - Brown	2 - Brown	Prepare run	Low
	3 - Gray	3 - Gray	Start	Low
	4 - Blue	4 - Blue	Shut down	Low
	5 - Pink	5 - Pink	Not connected	
	6 - Yellow	6 - Yellow	Power on	High
	7 - Red	7 - Red	Ready	High
	8 - Green	8 - Green	Stop	Low
	9 - Black	9 - Black	Start request	Low

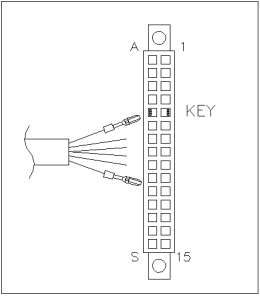
Parts and Materials

Remote Cables

Agilent 1100 to HP 1090 LC, HP 1040 DAD or Signal Distribution Module

Connector 01046-60202	Pin HP 1090	Pin Agilent 1100	Signal Name	Active (TTL)
 <p>5 - Key</p>	1	1 - White	Digital ground	
	NC	2 - Brown	Prepare run	Low
	4	3 - Gray	Start	Low
	7	4 - Blue	Shut down	Low
	8	5 - Pink	Not connected	
	NC	6 - Yellow	Power on	High
	3	7 - Red	Ready	High
	6	8 - Green	Stop	Low
	NC	9 - Black	Start request	Low

Agilent 1100 to General Purpose

Connector 01046-60201	Pin Universal	Pin Agilent 1100	Signal Name	Active (TTL)
		1 - White	Digital ground	
		2 - Brown	Prepare run	Low
		3 - Gray	Start	Low
		4 - Blue	Shut down	Low
		5 - Pink	Not connected	
		6 - Yellow	Power on	High
		7 - Red	Ready	High
		8 - Green	Stop	Low
		9 - Black	Start request	Low

BCD Cables



One end of these cables provides a 15-pin BCD connector to be connected to the Agilent 1100 Series modules. The other end depends on the instrument to be connected to.

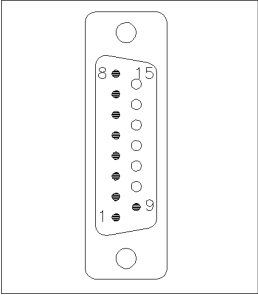
Agilent 1100 to 3392/3 Integrators

Connector 18584-60510	Pin 3392/3	Pin Agilent 1100	Signal Name	BCD Digit
<p>6 - Key</p>	10	1	BCD 5	20
	11	2	BCD 7	80
	3	3	BCD 6	40
	9	4	BCD 4	10
	7	5	BCD 0\	1
	5	6	BCD 3	8
	12	7	BCD 2	4
	4	8	BCD 1	2
	1	9	Digital ground	
	2	15	+ 5 V	Low

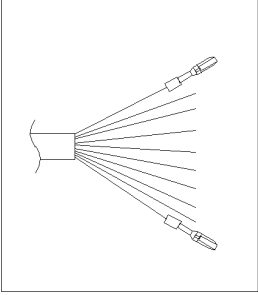
Parts and Materials

BCD Cables

Agilent 1100 to 3396 Integrators

Connector 03396-60560	Pin 3392/3	Pin Agilent 1100	Signal Name	BCD Digit
	1	1	BCD 5	20
	2	2	BCD 7	80
	3	3	BCD 6	40
	4	4	BCD 4	10
	5	5	BCD 0\	1
	6	6	BCD 3	8
	7	7	BCD 2	4
	8	8	BCD 1	2
	9	9	Digital ground	
	NC	15	+ 5 V	Low

Agilent 1100 to General Purpose

Connector 18594-60520	Wire Color	Pin Agilent 1100	Signal Name	BCD Digit
	Green	1	BCD 5	20
	Violet	2	BCD 7	80
	Blue	3	BCD 6	40
	Yellow	4	BCD 4	10
	Black	5	BCD 0\	1
	Orange	6	BCD 3	8
	Red	7	BCD 2	4
	Brown	8	BCD 1	2
	Gray	9	Digital ground	
	White	15	+5 Vt	Low

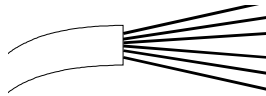
Auxiliary Cable



One end of this cable provides a modular plug to be connected to the Agilent 1100 Series vacuum degasser. The other end is for general purpose.

Agilent 1100 Series Degasser to general purposes

Connector G1322-81600	Color	Pin Agilent 1100	Signal Name
	White	1	Ground
	Brown	2	Pressure signal
	Green	3	
	Yellow	4	
	Grey	5	DC + 5 V IN
	Pink	6	Vent



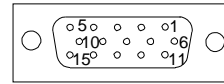
CAN Cable



Both ends of this cable provide a modular plug to be connected to Agilent 1100 Series module's CAN-bus connectors.

Agilent 1100 module to module, 0.5m lg	5181-1516
Agilent 1100 module to module, 1m lg	5181-1519
Agilent 1100 module to control module	G1323-81600

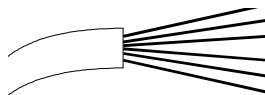
External Contact Cable



One end of this cable provides a 15-pin plug to be connected to Agilent 1100 Series module's interface board. The other end is for general purpose.

Agilent 1100 Series Interface Board to general purposes

Connector G1103-61611	Color	Pin Agilent 1100	Signal Name
	White	1	EXT 1
	Brown	2	EXT 1
	Green	3	EXT 2
	Yellow	4	EXT 2
	Grey	5	EXT 3
	Pink	6	EXT 3
	Blue	7	EXT 4
	Red	8	EXT 4
	Black	9	Not connected
	Violet	10	Not connected
	Grey/pink	11	Not connected
	Red/blue	12	Not connected
	White/green	13	Not connected
	Brown/green	14	Not connected
	White/yellow	15	Not connected

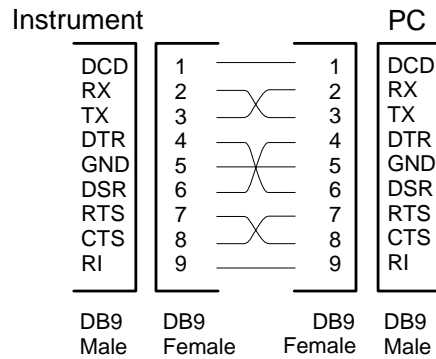


RS-232 Cable Kit

This kit contains a 9-pin female to 9-pin female Null Modem (printer) cable and one adapter. Use the cable and adapter to connect Agilent Technologies instruments with 9-pin male RS-232 connectors to most PCs or printers.

Agilent 1100 module to PC

RS-232 Cable Kit 34398A



LAN Cables

Recommended Cables

For point to point connection (not using a network hub) use a twisted pair cross over LAN cable (P/N 5183-4649, 10 feet long).

For standard network connections using a hub use category 5 UTP cables, (P/N G1530-61480, 8 m long).

Introduction to the Autosampler

An introduction to the standard, micro and preparative
autosamplers and thermostatted autosamplers

Introduction to the Autosampler

Five models of Agilent 1100 Series autosamplers are available; within this introduction they will be referred to as the standard, the micro, the preparative autosamplers and the thermostatted autosamplers. Unless otherwise stated all information in this section is valid for all models.

The Agilent 1100 Series autosamplers and Agilent 1100 Series thermostatted autosamplers are designed for use with other modules of the Agilent 1100 Series LC system, with the HP 1050 Series, or with other LC systems if adequate remote control inputs and outputs are available. The autosamplers are controlled from the Agilent 1100 Series control module or from the Agilent ChemStation for LC.

Three sample-rack sizes are available for the autosamplers. The standard full-size rack holds 100 × 1.8 ml vials, while the two half-size racks provide space for 40 × 1.8 ml vials and 15 × 6 ml vials respectively. Any two half-size racks trays can be installed in the autosamplers simultaneously. A specially designed sample-rack holding 100 × 1.8 ml vials is available for use with the thermostatted autosamplers. The half-size racks trays are not designed for an optimal heat transfer when they are used with a thermostatted autosampler.

The autosamplers transport mechanism uses an X-Z-Theta movement to optimize vial pick-up and return. Vials are picked up by the gripper arm, and positioned below the sampling unit. The gripper transport mechanism and sampling unit are driven by motors. Movement is monitored by optical sensors and optical encoders to ensure correct operation. The metering device is always flushed after injection to ensure minimum carry-over.

The standard analytical head device provides injection volumes from 0.1 – 100 µl. The micro analytical head device provides injection volumes from 0.1 – 40 µl. Two preparative head devices provide injection volumes from 0.1 – 900 µl. One head is limited by a system pressure of 200 bars, the other by a system pressure of 400 bars.

The six-port (only 5 ports are used) injection valve unit is driven by a high-speed hybrid stepper motor. During the sampling sequence, the valve unit bypasses the autosamplers, and connects flow from the pump to the column directly. During injection and analysis, the valve unit directs the flow through the autosamplers which ensures that all of the sample is injected onto the column, and that the metering unit and needle are always

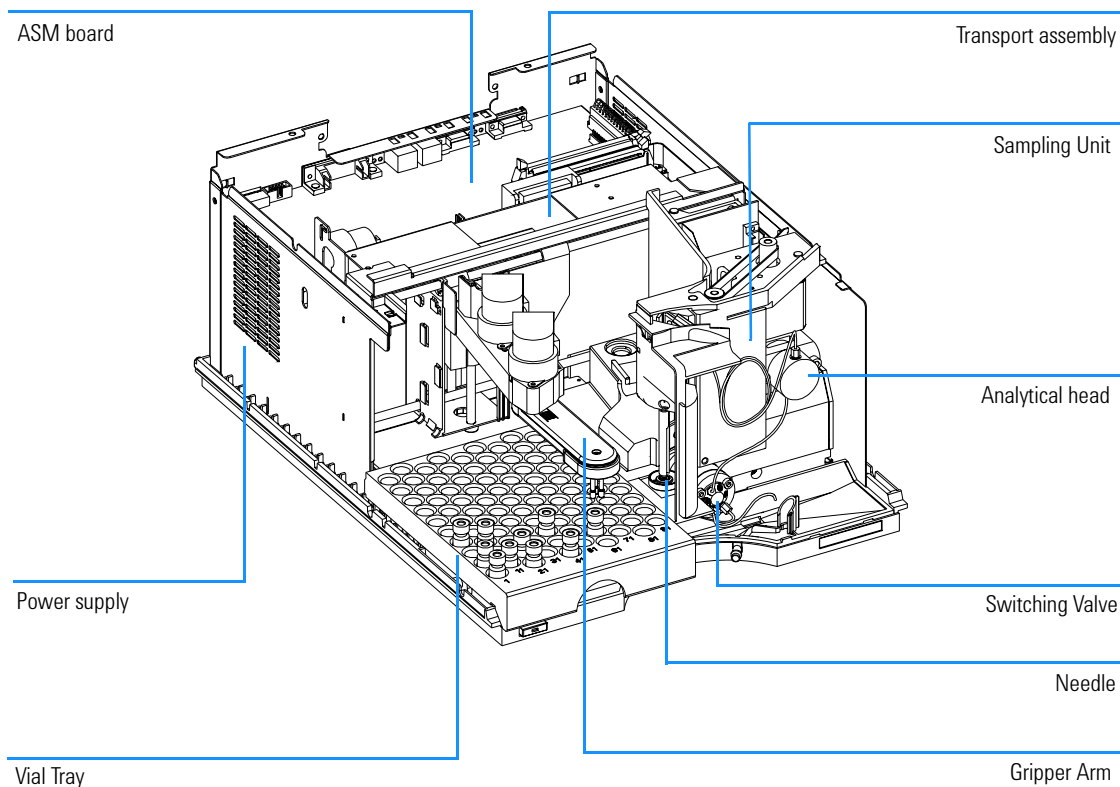
Introduction to the Autosampler

[Introduction to the Autosampler](#)

free from sample residue before the next sampling sequence begins. Different valves for the standard, the micro and the preparative autosampler are available.

Control of the vial temperature in the thermostatted autosampler is achieved using an additional Agilent 1100 Series module; the ALS thermostat. Details of this module are given in the Agilent 1100 Series thermostatted autosampler Supplemental Manual.

Figure 30 Overview of the Autosampler



Sampling Sequence

The movements of the autosamplers components during the sampling sequence are monitored continuously by the autosamplers processor. The processor defines specific time windows and mechanical ranges for each movement. If a specific step of the sampling sequence is not completed successfully, an error message is generated.

Solvent is bypassed from the autosamplers by the injection valve during the sampling sequence. The sample vial is selected by a gripper arm from a static sample rack, or from external vial positions. The gripper arm places the sample vial below the injection needle. The required volume of sample is drawn into the sample loop by the metering device. Sample is applied to the column when the injection valve returns to the mainpass position at the end of the sampling sequence.

The sampling sequence occurs in the following order:

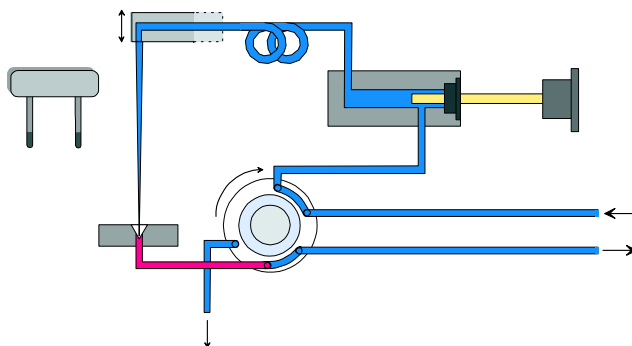
- 1 The injection valve switches to the bypass position.
- 2 The plunger of the metering device moves to the initialization position.
- 3 The gripper arm moves from the home position, and selects the vial. At the same time, the needle lifts out of the seat.
- 4 The gripper arm places the vial below the needle.
- 5 The needle lowers into the vial.
- 6 The metering device draws the preset sample volume.
- 7 The needle lifts out of the vial.
- 8 If the automated needle wash is selected (see “Using the Automated Needle Wash” on page 41), the gripper arm replaces the sample vial, positions the wash vial below the needle, lowers the needle into the vial, then lifts the needle out of the wash vial.
- 9 The gripper arm checks the safety flap is in position.
- 10 The gripper arm replaces the vial, and returns to the home position. Simultaneously, the needle lowers into the seat.
- 11 The injection valve switches to the mainpass position.

Injection Sequence

Before the start of the injection sequence, and during an analysis, the injection valve is in the mainpass position (Figure 34). In this position, the mobile phase flows through the autosamplers metering device, sample loop, and needle, ensuring all parts in contact with sample are flushed during the run, thus minimizing carry-over

Figure 31

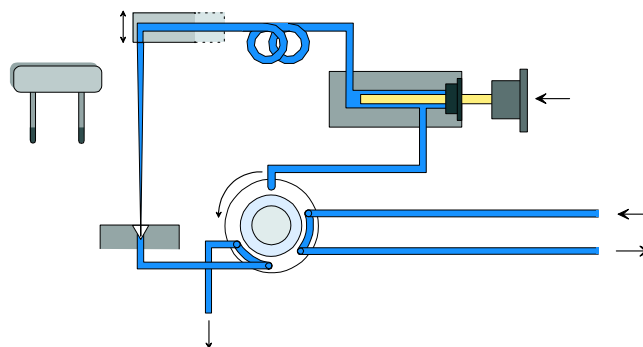
Mainpass Position



When the sample sequence begins, the valve unit switches to the bypass position (Figure 32). Solvent from the pump enters the valve unit at port 1, and flows directly to the column through port 6.

Figure 32

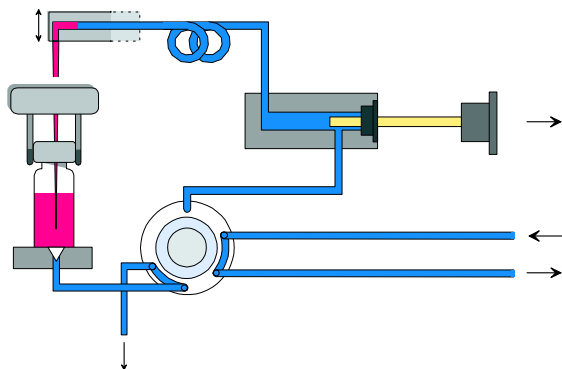
Bypass Position



Next, the needle is raised, and the vial is positioned below the needle. The needle moves down into the vial, and the metering unit draws the sample into the sample loop (Figure 33).

Figure 33

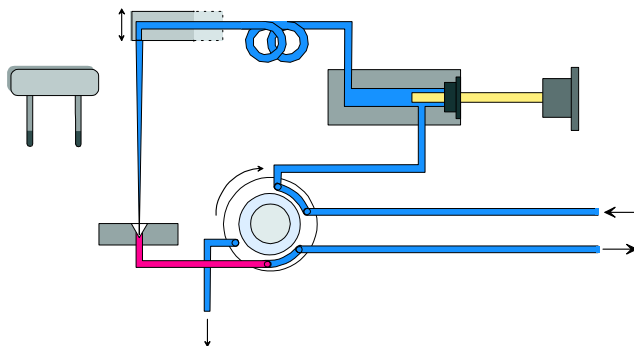
Drawing the Sample



When the metering unit has drawn the required volume of sample into the sample loop, the needle is raised, and the vial is replaced in the sample tray. The needle is lowered into the needle seat, and the injection valve switches back to the mainpass position, flushing the sample onto the column (Figure 34).

Figure 34

Mainpass Position (Sample Injection)



Sampling Unit

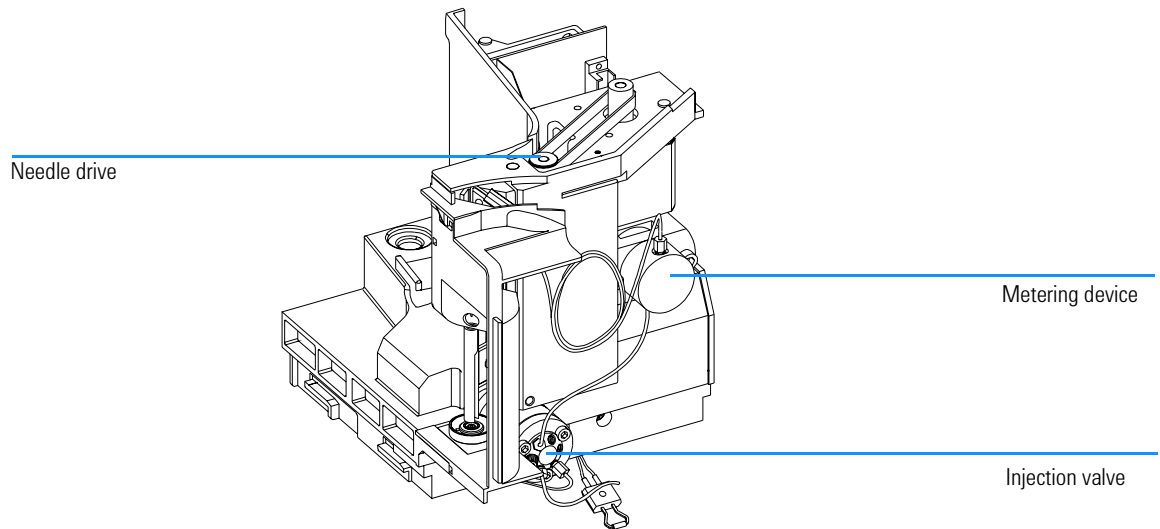
The sampling unit comprises three main assemblies; needle drive, metering device, and injection valve.

NOTE

The replacement sampling unit *excludes* the injection valve and metering head assemblies.

The sampling units for the standard, the thermostatted, the micro and the preparative autosamplers are different.

Figure 35 Autosampler Sampling Unit



Needle-Drive

The needle movement is driven by a stepper motor connected to the spindle assembly by a toothed belt. The circular motion of the motor is converted to linear motion by the drive nut on the spindle assembly. The upper and lower needle positions are detected by reflection sensors on the sampling unit flex board, while the needle-in-vial position is determined by counting the motor steps from the upper needle-sensor position.

Analytical head / preparative head

The analytical head is driven by the stepper motor connected to the drive shaft by a toothed belt. The drive nut on the spindle converts the circular movement of the spindle to linear motion. The drive nut pushes the sapphire plunger against the tension of the spring into the analytical head. The base of the plunger sits on the large bearing of the drive nut, which ensures the plunger is always centered. A ceramic ring guides the movement of the plunger in the analytical head. The home position of the plunger is sensed by an infra-red sensor on the sampling unit flex board, while the sample volume is determined by counting the number of steps from the home position. The backward movement of the plunger (driven by the spring) draws sample from the vial.

Table 42

Analytical Head Technical Data

	Standard (100 μ l)	Micro (40 μ l)	Standard (900 μ l)	Preparative (900 μ l)
Number of steps	15000	60000	15000	15000
Volume resolution	7 nl/motor step	0.7 nl/motor step	60 nl/motor step	60 nl/motor step
Maximum stroke	100 μ l	40 μ l	900 μ l	900 μ l
Pressure limit	400 bars	400 bars	200 bars	400 bars
Plunger material	Sapphire	Sapphire	Sapphire	Sapphire

Injection-Valve

The two-position 6-port injection valve is driven by a stepper motor. Only five of the six ports are used (port 3 is not used). A lever/slider mechanism transfers the movement of the stepper motor to the injection valve. Two microswitches monitor switching of the valve (bypass and mainpass end positions).

No valve adjustments are required after replacing internal components.

Table 43

Injection-Valve Technical Data

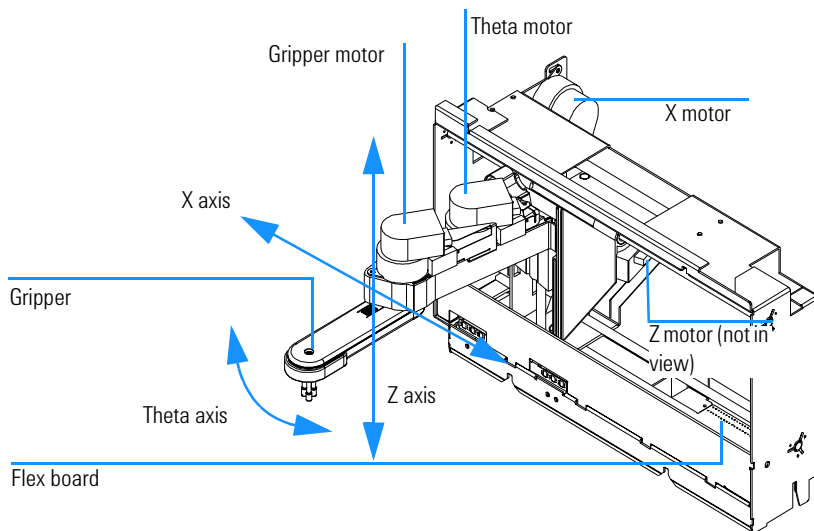
	Standard	Micro	Preparative MBB™
Motor type	4V, 1.2A stepper motor	4V, 1.2A stepper motor	4V, 1.2A stepper motor
Seal material	Vespe™ (Tefzel™ available)	Vespe™	PEEK
Stator material	Ceramic/PEEK	Head coated SST	PEEK
Number of ports	6	6	6
Switching time	< 150 ms	< 150 ms	< 150 ms

Transport Assembly

The transport unit comprises of an X-axis slide (left-right motion), a Z-axis arm (up-down motion), and a gripper assembly (rotation and vial-gripping).

Figure 36

Transport Assembly



The transport assembly uses four stepper motors driven in closed-loop mode for accurate positioning of the gripper assembly for sample-vial transport. The rotational movement of the motors is converted to linear motion (X- and Z-axes) by toothed belts connected to the drive spindles. The rotation (theta axes) of the gripper assembly is transferred from the gripper assembly by a toothed belt and series of gears. The opening and closing of the gripper fingers are driven by a stepper motor linked by a toothed belt to the planetary gearing inside the gripper assembly.

Introduction to the Autosampler

Transport Assembly

The stepper motor positions are determined by the optical encoders mounted onto the stepper-motor housing. The encoders monitor the position of the motors continually, and correct for position errors automatically (e.g. if the gripper is accidentally moved out of position when loading vials into the vial tray). The initialization positions of the moving components are sensed by reflection sensors mounted on the flex board. These positions are used by the processor to calculate the actual motor position. An additional six reflection sensors for tray recognition are mounted on the flex board at the front of the assembly.

Early Maintenance Feedback (EMF)

Maintenance requires the exchange of components in the flow path which are subject to mechanical wear or stress. Ideally, the frequency at which components are exchanged should be based on the intensity of usage of the instrument and the analytical conditions, and not on a predefined time interval. The early maintenance feedback (EMF) feature monitors the usage of specific components in the instrument, and provides feedback when the user-setable limits have been exceeded. The visual feedback in the user interface provides an indication that maintenance procedures should be scheduled.

EMF Counters

The autosamplers provides two EMF counters. Each counter increments with autosamplers use, and can be assigned a maximum limit which provides visual feedback in the user interface when the limit is exceeded. Each counter can be reset to zero after maintenance has been done. The autosamplers provides the following EMF counters:

Injection valve counter

This counter display the total number of switches of the injection valve since the last reset of the counter.

Needle Movements Counter

This counter displays the total number of movements of the needle into the seat since the last reset of the counter.

Using the EMF Counters

The user-setable EMF limits for the EMF counters enable the early maintenance feedback to be adapted to specific user requirements. The wear of autosamplers components is dependent on the analytical conditions, therefore, the definition of the maximum limits need to be determined based on the specific operating conditions of the instrument.

Setting the EMF Limits

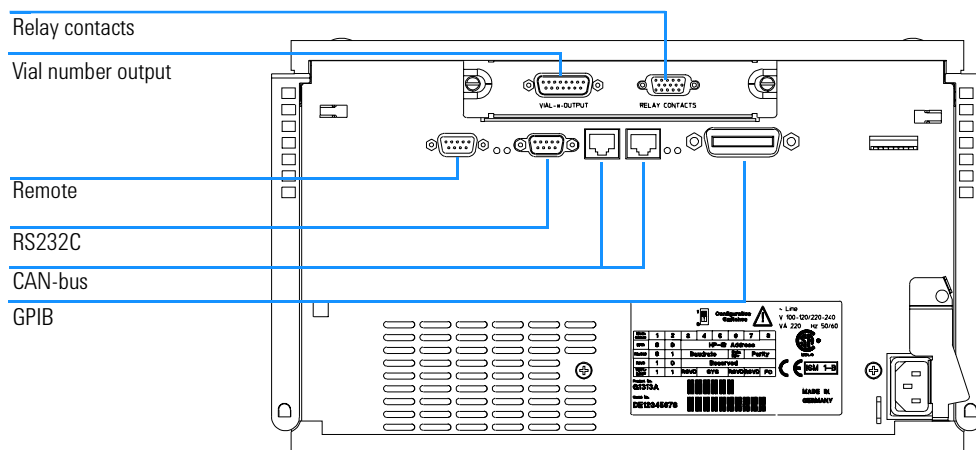
The setting of the EMF limits must be optimized over one or two maintenance cycles. Initially, no EMF limit should be set. When instrument performance indicates maintenance is necessary, make note of the values displayed by the injection valve and needle movements counters. Enter these values (or values slightly less than the displayed values) as EMF limits, and then reset the EMF counters to zero. The next time the EMF counters exceed the new EMF limits, the EMF flag will be displayed, providing a reminder that maintenance needs to be scheduled.

Electrical Connections

WARNING

Never use cables other than the ones supplied by Agilent Technologies to ensure proper functionality and compliance with safety or EMC regulations.

Figure 37 Autosampler Electrical Connections



- The GPIB connector is used to connect the autosamplers with a computer. The address and control switch module next to the GPIB connector determines the GPIB address of your autosamplers. The switches are preset to a default address (see Table 50 on page 232) which is recognized once after power on.
- The CAN bus is a serial bus with high-speed data transfer. The two connectors for the CAN bus are used for internal Agilent 1100 Series module data transfer and synchronization.
- The REMOTE connector may be used in combination with other analytical instruments from Agilent Technologies if you want to use features such as common shut down, prepare, and so on.
- The RS-232 connector may be used to control the autosamplers from a computer through an RS-232 connection, using appropriate software.

This connector needs to be activated by the configuration switch module next to the GPIB connector. The software needs the appropriate drivers to support this communication. See your software documentation for further information.

- The Thermostat-Autosampler connection (only on thermostatted autosampler) is used for control signal transfer and synchronization of the two modules. The cable must be installed for operation of the ALS thermostat.

WARNING

DO NOT disconnect or reconnect the autosampler to ALS thermostat cable when the power cords are connected to either of the two modules. This will damage the electronics of the modules.

- The power input socket accepts a line voltage of 100–120 or 220–240 volts AC \pm 10 % with a line frequency of 50 or 60 Hz. There is no voltage selector on your autosamplers because the power supply has wide-ranging capability. There are no externally accessible fuses, because automatic electronic fuses are implemented in the power supply. The security lever at the power input socket prevents that the autosamplers cover is taken off when line power is still connected.
- The interface board slot is used for external contacts, BCD output and for future use.

Introduction to the Autosampler

Electrical Connections

Theory of Operation

Theory of operation of mechanical hardware, electronics,
and instrument interfaces

Autosampler Control and Electronics

The ASM board controls the vial-transport mechanism, sampling needle, metering unit, and high-speed injection valve. These devices are controlled by a versatile electronics design based upon a 68000 family processor which also contains battery backup RAM, flash ROM, a real time clock, and several communications options.

Position and Movement Sensors

Position sensing of movement of autosampler components is done by sensors on the sample transport and sampling unit flex boards. The following sensors are used:

Table 44

Sample Transport Flex Board

Sensor Type	Number of Sensors	Position/Movement Sensed
Reflection Sensor	6	Vial tray identification
Reflection Sensor	1	Gripper initialization
Reflection Sensor	3	Transport assembly Initialization

Table 45

Sampling Unit Flex Board

Sensor Type	Number of Sensors	Position/Movement Sensed
IR light sensor	1	Metering device home (reference) position
Reflection sensor	2	Needle end positions
Hall sensor	2	Front cover in position
Microswitch	2	Valve switching

Autosampler Main Board (ASM)

Common Electronics

A common electronics and firmware design is used for all Agilent 1100 Series LC modules. This core design provides a basic set of functions to each module.

Table 46

Common Electronics

Core-processor	MC68332
Core-memory	The core unit has 3 memory blocks: 128k *16 bit PSRAM 1M*8 Flash memory 32k*8 NVRAM 24*8 serial NVRAM from the real time clock
Communication Interfaces	The core unit supports direct the following interfaces: CAN bus GPIB RS232 Remote MIO

ASIC – Application-Specific Integrated Circuit

The application-specific integrated circuit (ASIC) provides interfacing to external devices through drivers, including GPIB, CAN, APG Remote. It is directly connected to the four control LEDs located near the connectors on this board and the 8-bit configuration switch which is used to configure the address for the GPIB communication, baud rate for RS-232 transfer, and so on. Also, the ASIC controls and drives module specific functions and reads static status signals.

Leak Converter

Solvent leaking from the autosampler cools down the PTC. This changes the resistance of the PTC causing the leak converter to generate a leak

Theory of Operation

Autosampler Main Board (ASM)

signal. The leak converter consists of a PTC (for leak sensing) and an NTC (for ambient-temperature compensation). This configuration ensures ambient temperature changes do not affect the leak-sensing circuit.

Fan Drive

The fan speed (two speeds are possible) is controlled by the main processor according to the internal heat distribution inside the module. The fan provides a PWM signal which is proportional to the revolution. This fan status signal is used for diagnostics.

Electronic Fuses

The circuits that are connected to + 36 V are fused on the board electronically.

Onboard Battery

An onboard lithium battery buffers the electronic memories when the module is turned off. For safety information on lithium batteries see “Lithium Batteries Information” on page 282.

Autosampler-Specific Electronics

The autosampler specific functions provided by the electronics are:

- closed loop control of four axis vial handling servos
- electric valve control
- Needle unit control
- metering device control

Transport Unit Control

The transport drive electronics use current-controlled pulse-width modulation (PWM) to drive the X, Z, θ , and gripper motors in closed-loop servo control mode. Dedicated electronics in the SGS L6506 provide the current-control loop. Commutation is done in FPGA logic. SGS L6201 SMT output drivers are used for all four stepper motors. Motor encoder signals are connected to the ASIC where the encoder quadrature decoded clock and the up/down signal are used in the FPGA to provide instantaneous stepper motor commutation with respect to the motor rotor position.

Wiring between the autosampler main board (ASM) and the motors and encoders uses a flat-band cable (64 pin) and a flex board on which 10

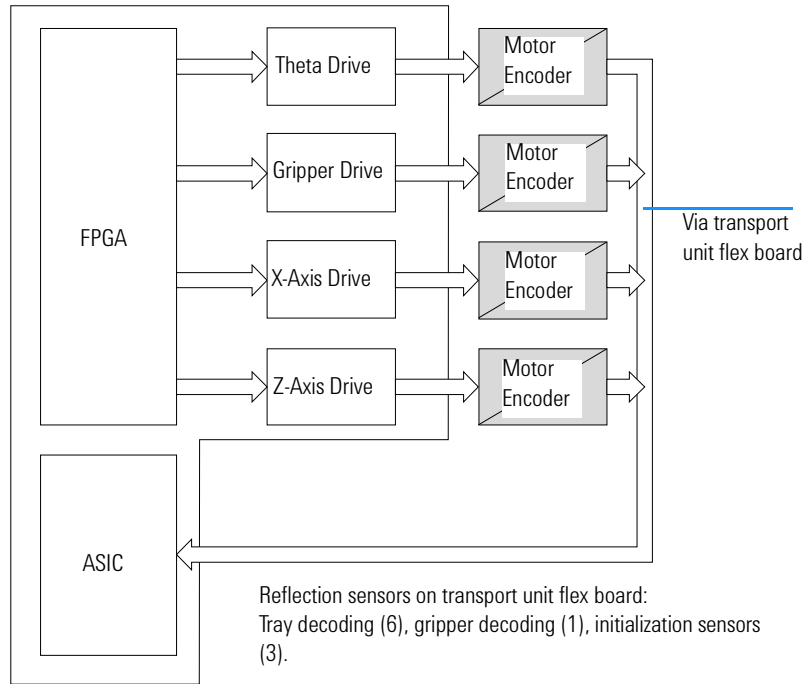
Theory of Operation

[Autosampler Main Board \(ASM\)](#)

reflection light sensors are located. Six light sensors are used for vial-tray identification, one for gripper decoding, and three for decoding of the initialization position.

Figure 38

Transport unit control



Sampling Unit Control

Needle arm, metering device and valve motors are driven by controlled pulse-width modulation in the same way as the SGS L6506 (see “Transport Unit Control” on page 221). The motors require fast speed but do not require precise position control. Therefore, a closed loop servo system is not required. Commutation is done in FPGA logic. The needle arm, metering device and valve motors use SGS L6203 output drivers to deliver the higher currents required for fast movement or high torque.

The movement sensing of the valve motor is done by two microswitches. Two reflection light sensors are used to detect the end positions of the needle arm. One photo sensor is required to detect the home position of the metering device. Two hall sensors detect correct closure of the door (needle arm movement is interrupted if the door is open). All the sensors are mounted on one flex board. The flex board and motors are connected to the sampling unit distribution board (SUD). The SUD board is connected to the autosampler main board (ASM) via a flat-band cable (64 pin).

Figure 39 **Sampling unit control**

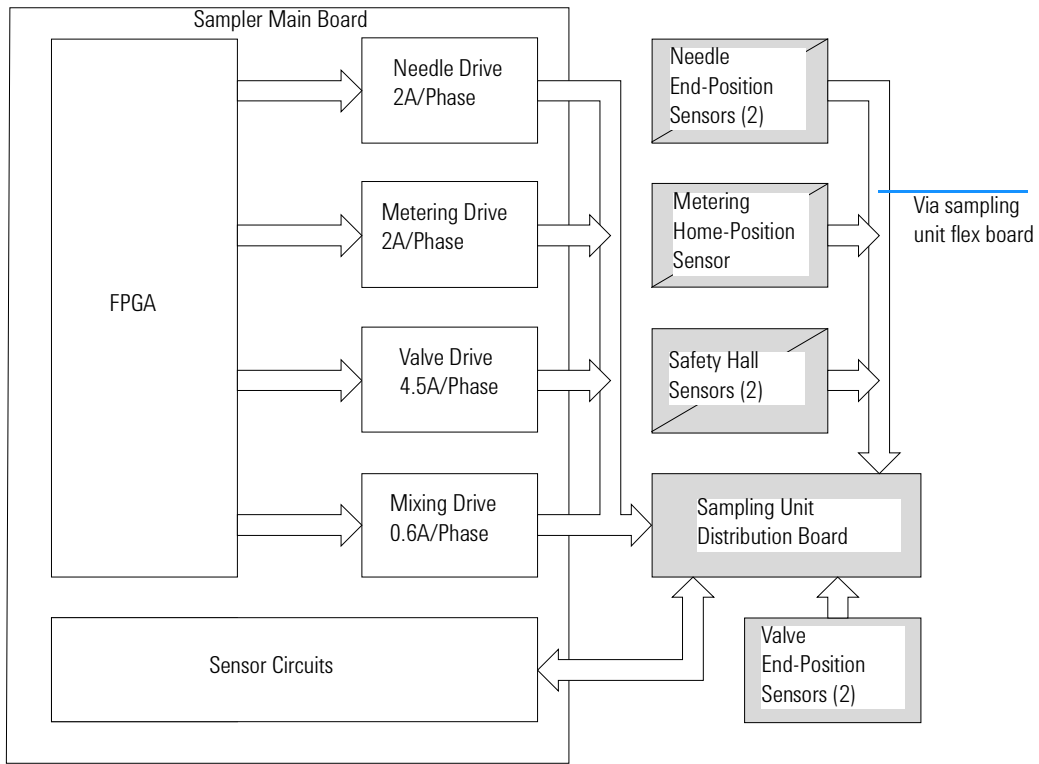
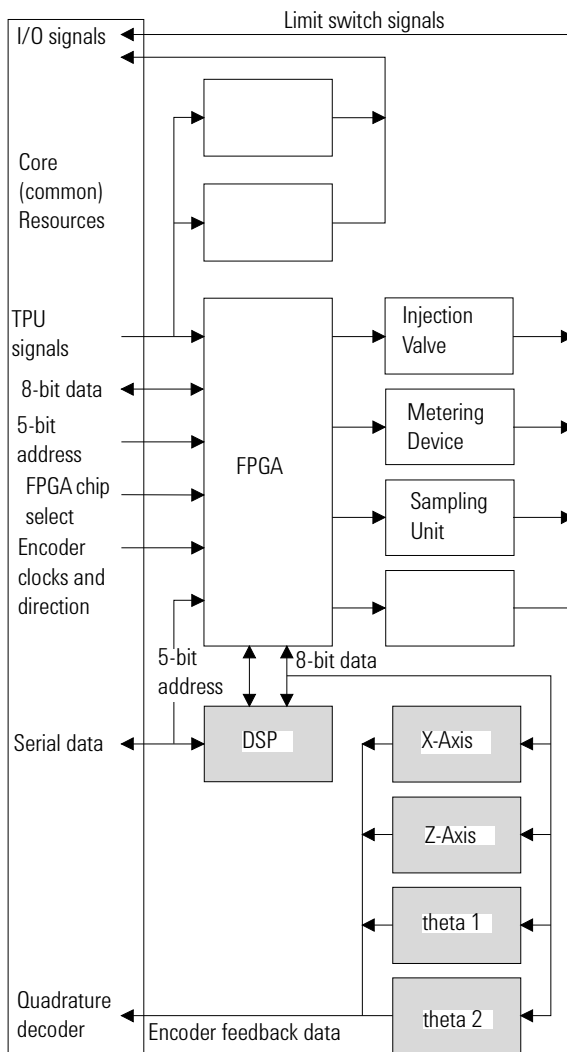


Figure 40 Autosampler block diagram



Firmware Description

The firmware of the instrument consists of two independent sections:

- a non-instrument specific section, called ‘resident system’,
- an instrument specific section, called ‘main system’.

Resident System

This resident section of the firmware is identical for all Agilent 1100 series modules. Its properties are:

- the complete communication capabilities (GPIB, CAN, LAN and RS-232C),
- memory management,
- ability to update the firmware of the ‘main system’.

Main System

Its properties are:

- the complete communication capabilities (GPIB, CAN, LAN and RS-232C),
- memory management,
- ability to update the firmware of the ‘resident system’.

In addition the main system comprises the instrument functions that are divided into common functions like

- run synchronization via APG remote
- error handling,
- diagnostic functions, and so on,

or module specific functions like

- internal events such as metering device, gripper and needle movements,

Firmware Updates

Firmware updates can be done using your user interface:

- handheld control module with files from a PC-card or
- Agilent ChemStation with files from floppy disk

The file naming conventions are:

xxxx-vvv.DLB, where

xxxx is the product number, e.g. 1313 for the G1313A Autosampler), and vvv is the revision number, for example 380 is revision 3.80

For instructions refer to your user interface.

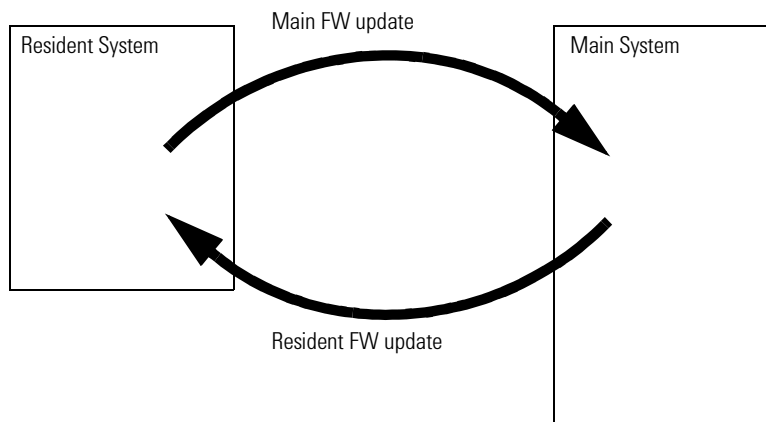
NOTE

Update of main system can be done in the resident system only.

Update of the resident system can be done in the main system only.

Figure 41

Firmware Update Mechanism



Optional Interface Boards

The Agilent 1100 Series modules have one optional board slot that allows addition of an interface board to the modules.

Table 47

Optional Interface Boards

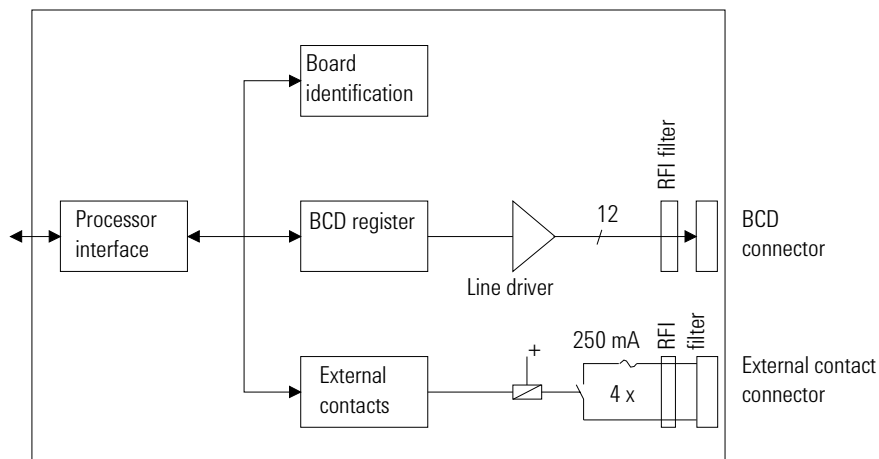
Description	Part Number
BCD Board	G1351-68701
Fuse 250 mA (four are on the board)	2110-0004
LAN Board (see next page for details)	

BCD Board

The BCD board provides a BCD output for the bottle number of the Agilent 1100 Series autosampler and four external contacts. The external contact closure contacts are relay contacts. The maximum settings are: 30 V (AC/DC); 250 mA (fused). There are general purpose cables available to connect the BCD output, see “BCD Cables” on page 195 and the external outputs, see “External Contact Cable” on page 198 to external devices.

Figure 42

Block Diagram BCD Board



LAN Board

The HP JetDirect cards are network interface cards used in HP printers.

NOTE

One board is required per Agilent 1100 stack. It is recommended to add the LAN board to the detector with highest data rate.

NOTE

The LAN board can only be used together with:

- a main board version G13XX-66520 (DAD/MWD/VWD/Pump/ALS) or G13XX-66500 (FLD/RID) and above.
- a Agilent-ChemStation software revision A.06.01 or above.

The following cards can be used with the Agilent 1100 modules.

Table 48

LAN Boards

Agilent Order Number	Supported networks
J4106A	Ethernet/802.3, RJ-45 (10Base-T)
J4105A	Token Ring/802.5, DB9, RJ-45 (10Base-T)
J4100A	Fast Ethernet, Ethernet/802.3, RJ-45 (10/100Base-TX) + BNC (10Base2)

NOTE

Minimum firmware of the JetDirect cards is A.05.05.

Recommended Cables

For point to point connection (not using a network hub) use a twisted pair cross over LAN cable (P/N 5183-4649, 10 feet long).

For standard network connections using a hub use category 5 UTP cables, (P/N G1530-61480, 8 m long).

Interfaces

The Agilent 1100 Series modules provide the following interfaces:

Table 49 **Agilent 1100 Series Interfaces**

Interface Type	Pumps	Autosampler	DA Detector MW Detector FL Detector	VW Detector RI Detector	Thermostatted Column Compartment	Vacuum Degasser
CAN	Yes	Yes	Yes	Yes	Yes	No
GPIB	Yes	Yes	Yes	Yes	Yes	No
RS-232C	Yes	Yes	Yes	Yes	Yes	No
Remote	Yes	Yes	Yes	Yes	Yes	Yes
Analog	Yes	No	2 ×	1 ×	No	Yes*
Interface board	Yes	Yes	Yes	Yes	No	No

* The vacuum degasser will have a special connector for specific use. For details see description of main board.

- CAN connectors as interface to other Agilent 1100 Series modules,
- GPIB connector as interface to the Agilent ChemStation,
- RS-232C as interface to a computer,
- REMOTE connector as interface to other Agilent products,
- Analog Output connector(s) for signal output, and
- Interface slot for specific interfacing (external contacts, BCD, LAN and so on).

For identification and location of the connectors Figure 6 on page 27.

WARNING

Never use cables other than the ones supplied by Agilent Technologies to ensure proper functionality and compliance with safety or EMC regulations, see “External Tray G1313-60004” on page 184.

Analog Signal Output

The analog signal output can be distributed to a recording device. For details refer to the description of the module's main board.

GPIB Interface

The GPIB connector is used to connect the module with a computer. The address and control switches next to the GPIB connector determine the GPIB address of your module. The switches are preset to a default address and recognized by the operating software from Agilent Technologies.

Table 50

Default Addresses			
Autosampler	28	Autosampler	28
Pump	22	RID	29
FLD	23		
VWD	24	Autosampler (HP 1050)	18
Agilent 8453A	25	Pump (HP 1050)	16
DAD_/ MWD	26	VWD (HP 1050)	10
Column Compartment	27	DAD (HP 1050)	17

CAN Interface

The CAN is an intermodule communication interface. It is a 2-wire serial bus system supporting high speed data communication and real-time requirement.

Remote Interface

The APG remote connector may be used in combination with other analytical instruments from Agilent Technologies if you want to use features such as common shut down, prepare, and so on.

Remote control allows easy connection between single instruments or systems to ensure coordinated analysis with simple coupling requirements.

The subminiature D connector is used. The module provides one remote connector which is inputs/outputs (wired-or technique).

Theory of Operation

Interfaces

To provide maximum safety within a distributed analysis system, one line is dedicated to SHUT DOWN the system's critical parts in case any module detects a serious problem. To detect whether all participating modules are switched on or properly powered, one line is defined to summarize the POWER ON state of all connected modules. Control of analysis is maintained by signal readiness READY for next analysis, followed by START of run and optional STOP of run triggered on the respective lines. In addition, PREPARE and START REQUEST may be issued. The signal level is defined as:

- standard TTL levels (0 V is logic true, + 5 V is false),
- fan-out is 10,
- input load is 2.2 kOhm against + 5 V, and
- outputs are open collector type, inputs/outputs (wired-or technique).

Table 51**Remote Signal Distribution**

Pin	Signal	Description
1	DGND	Digital ground
2	PREPARE	(L) Request to prepare for analysis (for example, calibration, detector lamp on). Receiver is any module performing pre-analysis activities.
3	START	(L) Request to start run / timetable. Receiver is any module performing run-time controlled activities.
4	SHUT DOWN	(L) System has serious problem (for example, leak: stops pump). Receiver is any module capable to reduce safety risk.
5		Not used
6	POWER ON	(H) All modules connected to system are switched on. Receiver is any module relying on operation of others.
7	READY	(H) System is ready for next analysis. Receiver is any sequence controller.
8	STOP	(L) Request to reach system ready state as soon as possible (for example, stop run, abort or finish and stop injection). Receiver is any module performing run-time controlled activities.
9	START REQUEST	(L) Request to start injection cycle (for example, by start key on any module). Receiver is the autosampler.

RS-232C

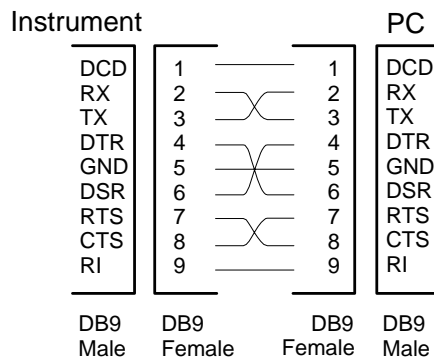
The RS-232C connector is used to control the instrument from a computer through RS-232C connection, using the appropriate software. This connector can be activated by the configuration switch module next to the GPIB connector.

The RS-232C is designed as DCE (Data Communication Equipment) with a 9-pin male SUB-D type connector. The pins are defined as follows:

Table 52**RS-232C Connection Table**

Pin	Direction	Function
1	In	DCD
2	In	RxD
3	Out	TxD
4	Out	DTR
5		Ground
6	In	DSR
7	Out	RTS
8	In	CTS
9	In	RI

RS-232 Cable



Setting the 8-bit Configuration Switch

The 8-bit configuration switch is located next to the GPIB connector. Switch settings provide configuration parameters for GPIB address, serial communication protocol and instrument specific initialization procedures.

Figure 44

factory setting is shown for autosampler

8-bit Configuration Switch

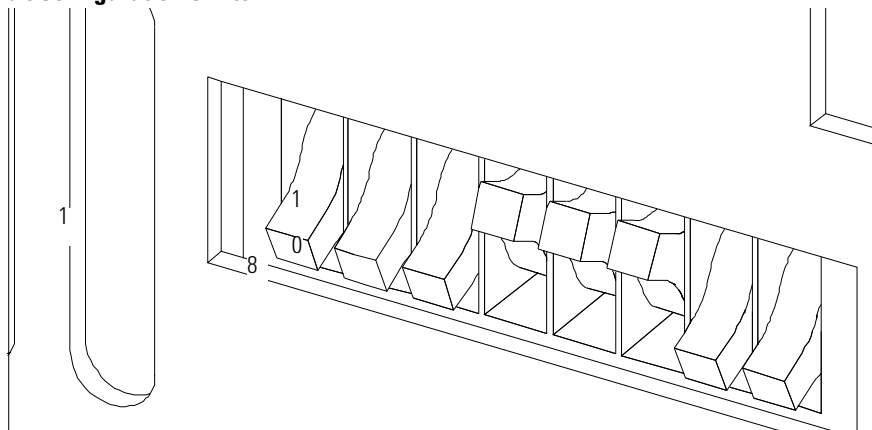


Table 53

8-bit Configuration Switch

Mode Select	1	2	3	4	5	6	7	8
GPIB	0	0	GPIB Address					
RS-232C	0	1	Baudrate			Data Bits	Parity	
Reserved	1	0	Reserved					
TEST/BOOT	1	1	RSVD	SYS		RSVD	RSVD	FC

Switches 1 and 2 define which set of parameters (for example, for GPIB, RS-232C, and so on) will be changed. Once the change has been completed, the instrument must be powered up again in order to store the values in the non-volatile memory.

In the non-volatile memory the parameters are kept, regardless of whether you turn the instrument off and on again. They will be kept until the same

Theory of Operation

Setting the 8-bit Configuration Switch

set of parameters is subsequently changed and power is reset. All other previously stored configuration settings will still remain in the non-volatile memory.

In this way you can store more than one set of parameters using the same 8-bit configuration switch twice, for example, for both GPIB and RS-232C.

GPIB Default Addresses

If you just want to change the GPIB address and need a detailed procedure, refer to the *Installing Your Agilent ChemStation System* handbook.

Default GPIB address is set to the following addresses:

Table 54

Default Addresses for Agilent Series 1100 Modules

Module	Address	Binary Address
Pump	22	0 0 0 1 0 1 1 0
FLD	23	0 0 0 1 0 1 1 1
VWD	24	0 0 0 1 1 0 0 0
Agilent 8453A	25	0 0 0 1 1 1 0 1
DAD / MWD	26	0 0 0 1 1 0 1 0
Column compartment	27	0 0 0 1 1 0 1 1
Autosampler	28	0 0 0 1 1 1 0 0
RID	29	0 0 0 1 1 1 0 1

where 0 means that the switch is down and 1 means that the switch is up.

Communication Settings for RS-232C Communication

The communication protocol used in this instrument supports only hardware handshake (CTS/RTS).

Switches 1 in down and 2 in up position define that the RS-232C parameters will be changed. Once the change has been completed, the instrument must be powered up again in order to store the values in the non-volatile memory.

Table 55

Communication Settings for RS-232C Communication

Mode Select	1	2	3	4	5	6	7	8
RS-232C	0	1	Baud rate			Data Bits	Parity	

Use the following tables for selecting the setting which you want to use for RS-232C communication. The number 0 means that the switch is down and 1 means that the switch is up.

Table 56

Baud Rate Settings

Switches			Baud Rate	Switches			Baud Rate
3	4	5		3	4	5	
0	0	0	9600	1	0	0	9600
0	0	1	1200	1	0	1	14400
0	1	0	2400	1	1	0	19200
0	1	1	4800	1	1	1	38400

Table 57

Data Bit Settings

Switch 6	Data Word Size
0	7 Bit Communication
1	8 Bit Communication

One start bit and one stop bit are always used (not selectable).

Table 58

Parity Settings

Switches		Parity
7	8	
0	0	No Parity
1	0	Odd Parity
1	1	Even Parity

Per default, the module will turn into 19200 baud, 8 data bit with no parity.

Forced Cold Start Settings

Switches 1 and 2 do not force storage of this set of parameters in non-volatile memory. Returning switches 1 and 2 to other positions (other than being both up) will allow for normal operation.

CAUTION

Forced cold start erases all methods and data stored in the non-volatile memory. Exceptions are diagnose and repair log books which will not be erased.

If you use the following switch settings and power the instrument up again, a forced cold start has been completed.

Table 59

Forced Cold Start Settings

Mode Select	1	2	3	4	5	6	7	8
TEST/BOOT	1	1	0	0	0	0	0	1

To return to normal operation, set switches back to your GPIB or RS 232 configuration settings.

Stay-Resident Settings

Firmware update procedures may require this mode in case of firmware loading errors.

Theory of Operation

Setting the 8-bit Configuration Switch

Switches 1 and 2 do not force storage of this set of parameters in non-volatile memory. Returning switches 1 and 2 to other positions (other than being both up) will allow for normal operation.

If you use the following switch settings and power the instrument up again, the instrument firmware stays in the resident part, that is, it is not operable as a detector. It only uses basic functions of the operating system for example, for communication.

Table 60

Stay Resident Settings

Mode Select	1	2	3	4	5	6	7	8
TEST/BOOT	1	1	0	0	1	0	0	0

To return to normal operation, set switches back to your GPIB or RS-232C configuration settings.

The Main Power Supply Assembly

The main power supply comprises a closed assembly (no onsite repair possibility).

The power supply provides all DC voltages used in the module except for the voltages supplied by the lamp power supply to the deuterium and tungsten lamps in the detectors. The line voltage can vary in a range from 100 – 120 or 220 – 240 volts AC \pm 10 % and needs no manual setting.

Figure 45 Main Power Supply (MPS) Blockdiagram

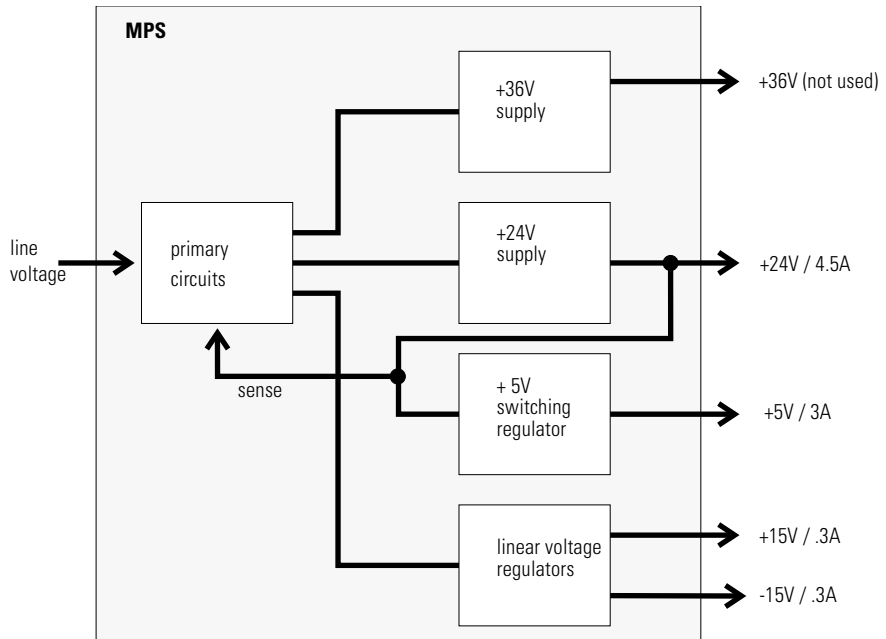


Figure 46

To disconnect the instrument from line, unplug the power cord. The power supply still uses some power, even if the power switch on the front panel is turned off.

No accessible hardware fuse is needed because the main power supply is safe against any short circuits or overload conditions on the output lines. When overload conditions occur, the power supply turns off all output voltages. Turning the line power off and on again resets the power supply to normal operation if the cause of the overload condition has been removed.

An over-temperature sensor in the main power supply is used to turn off output voltages if the temperature exceeds the acceptable limit (for example, if the cooling fan of the instrument fails). To reset the main power supply to normal operating conditions, turn the instrument off, wait until it is approximately at ambient temperature and turn the instrument on again.

The following table gives the specifications of the main power supply.

Table 61

Main Power Supply Specifications

Maximum power	130 W	Continuous output
Line Input	100 – 120 or 220 – 240 volts AC ± 10 %, line frequency of 50/60 Hz	Wide ranging
Output 1	+ 24 V / 4.5 A (maximum)	total power consumption of + 24 V and + 36 V must not exceed 107 W.
Output 2	+ 36 V / 2.5 A (maximum)	
Output 3	+ 5 V / 3 A	
Output 4	+ 15 V / 0.3 A	
Output 5	- 15 V / 0.3 A	

Theory of Operation

The Main Power Supply Assembly

Introduction to the Control Module

Introduction to the screens available for operation of the
Agilent 1100 Series autosamplers with the control module

This chapter is intended to introduce an operator to the screens available for operation of the Agilent 1100 Series autosamplers with the Agilent 1100 Series control module.

Please use the manual of Control module for further detailed reference.

Major keys on the Agilent 1100 Control Module

ESC	Return to previous screen and scroll through top layer views (Analysis, Settings)
m	Open context sensitive menus
i	Information/help
Enter	Store changed parameters or execute the choice from a pull-down menu
On/Off	Switch on lamp(s)
Start	Start a run
Plot	View the chromatogram
Views	Change between view of analysis - status - system screens

NOTE

The screens shown on the next pages are based on:
Control Module firmware revision B.01.01
LC Module firmware revision 3.8x

NOTE

In case the control module's display seems to be frozen (hang-up due to a communication problem on the CAN bus), unplug the control module from the LC module and reconnect.

Screens available from the Analysis screen

The Analysis screen

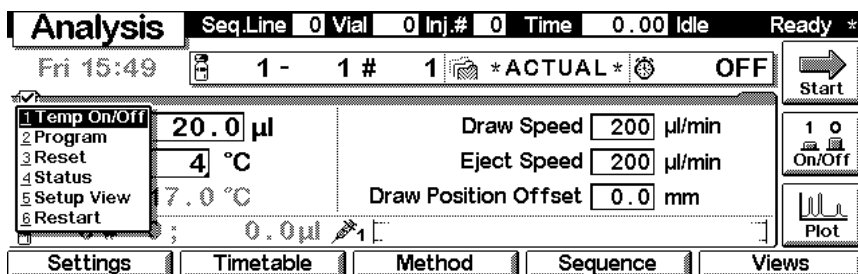
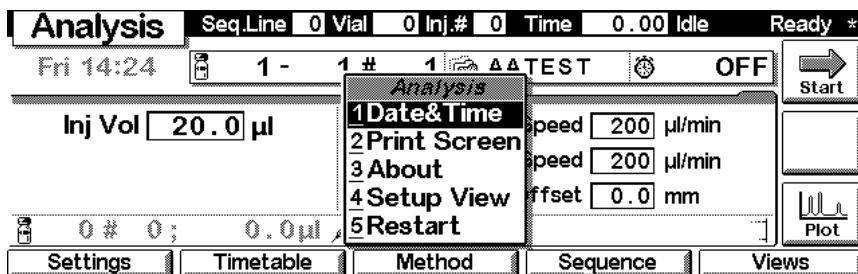
This is the wake-up screen, if the Agilent 1100 Series autosampler or thermostatted autosampler is the only configured Agilent 1100 module. It is used to enter the most common ALS method parameters.

Analysis		Seq.Line	0	Vial	0	Inj.#	0	Time	0.00	Idle	Ready *
Fri 14:23		1	-	1	#	1		AATEST		OFF	Start
Inj Vol		20.0		µl		Draw Speed		200		µl/min	
						Eject Speed		200		µl/min	
						Draw Position Offset		0.0		mm	
0 # 0;		0.0		µl						Plot	
Settings	Timetable	Method	Sequence	Views							

Analysis		Seq.Line	0	Vial	0	Inj.#	0	Time	0.00	Idle	Ready *
Fri 15:49		1	-	1	#	1		*ACTUAL*		OFF	Start
Inj Vol		20.0		µl		Draw Speed		200		µl/min	
Temp		4		°C		Eject Speed		200		µl/min	
				~ 17.5 °C		Draw Position Offset		0.0		mm	
0 # 0;		0.0		µl						Plot	
Settings	Timetable	Method	Sequence	Views						1 On/Off	

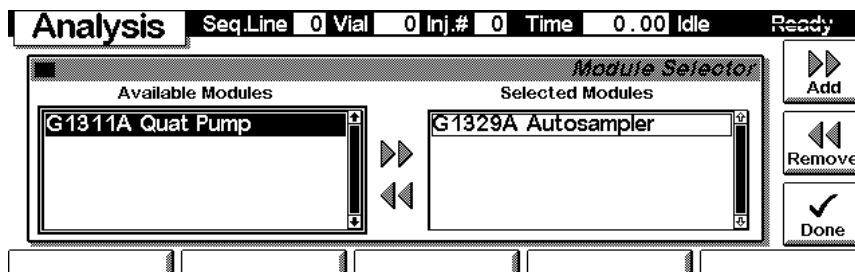
Screens available from the Analysis screen

The **m**-key allows access to the context sensitive menu. **Setup view** leads you to add sections for additional Agilent 1100 modules. **Restart** re-boots the control module.

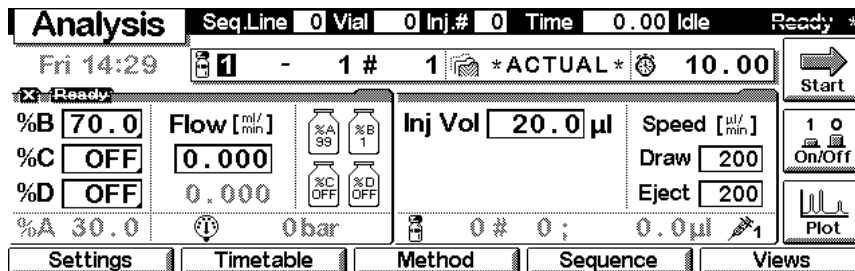


Screens available from the Analysis screen

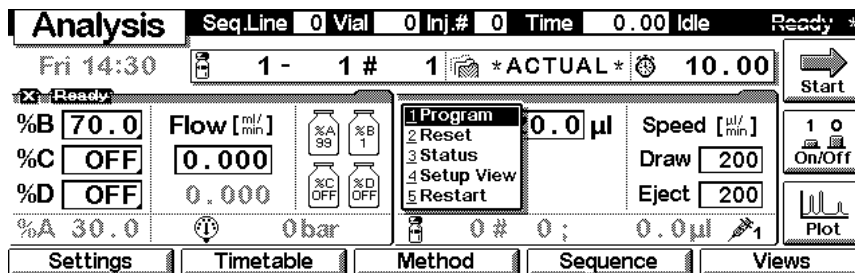
In the Setup view, e.g. the quaternary pump can be added to the view.



Here, e.g. the quaternary pump parameters are shown on the display as well. The number of parameters on the display are restricted as additional modules are added. A maximum of 4 modules are shown automatically. If more modules are in the system, you have to choose in Setup view. The number of parameters on the display are restricted as additional modules are added.

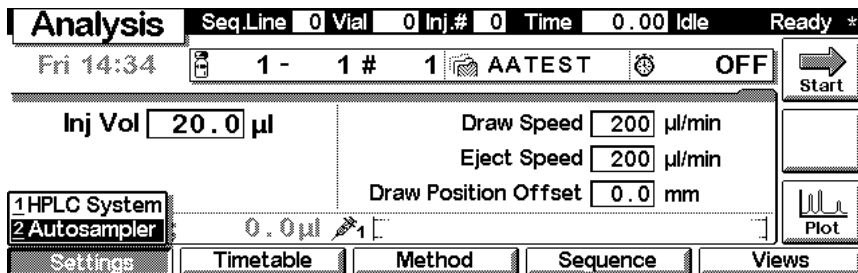


The m-key gives access to a context sensitive menu (e.g. when the cursor is positioned in the excitation window).



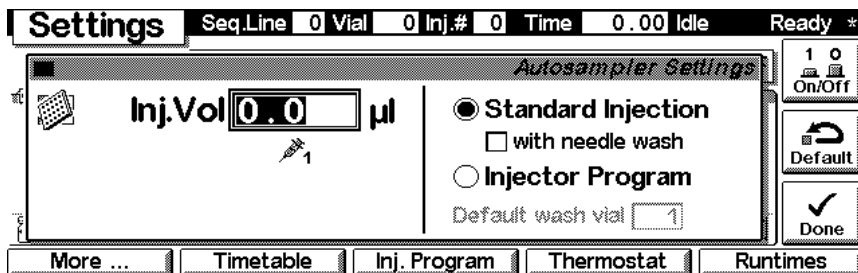
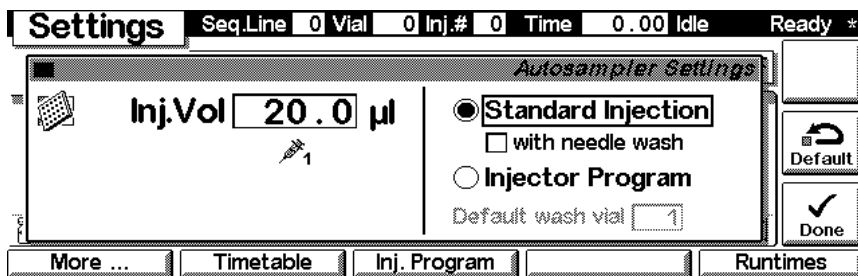
Screens available from the Analysis screen

With the **Settings** key you open a pull-down menu where you can select the ALS module.



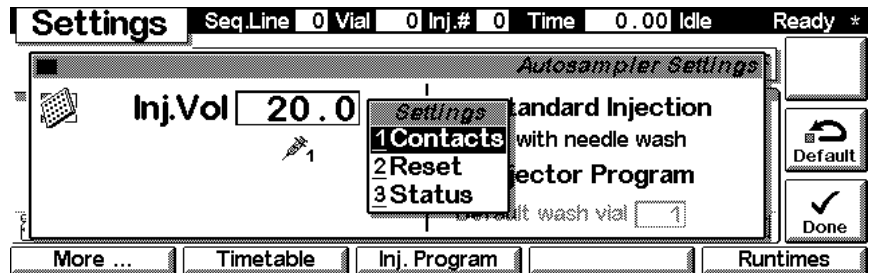
Settings

Within the **Settings** you can change the ALS parameters and with a different set of parameters available through the F1-5 keys. F7 key resets the ALS to default values. F8 opens a window to turn on the thermostat.

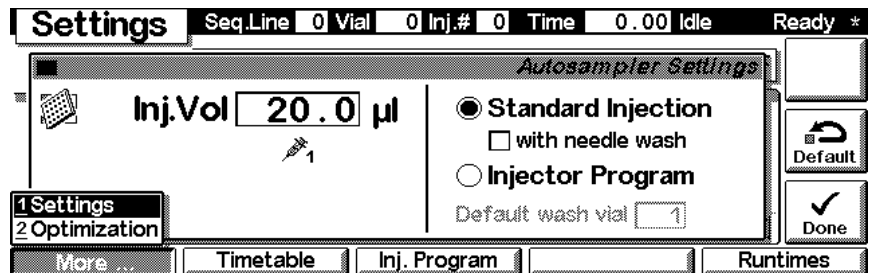


Screens available from the Analysis screen

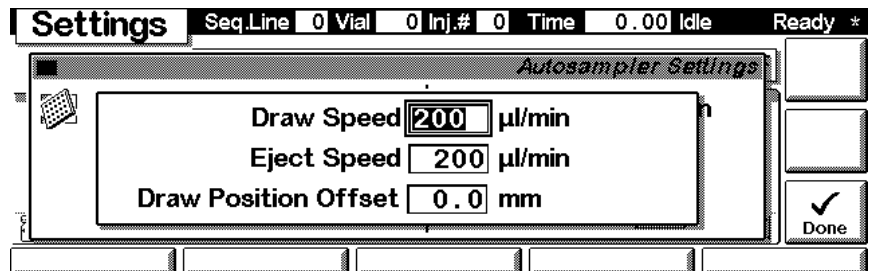
Use the **m**-key for the context sensitive menu. The **Status** command pulls up a monitor screen displaying details of injections and the sample tray. **Reset** will initialize the autosampler.



Use F1-key (**More**) opens a pull-down menu.

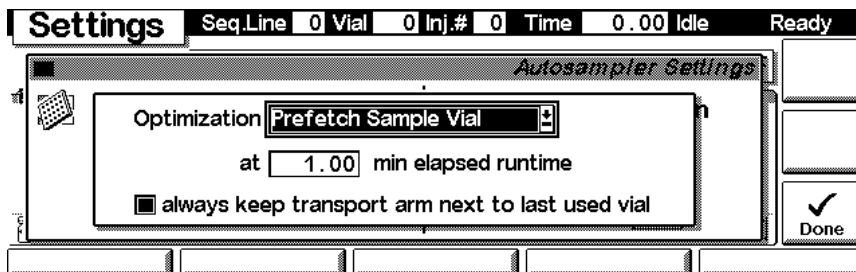


Selecting **More** and **Settings** pull down menu you can enter special ALS setpoints.



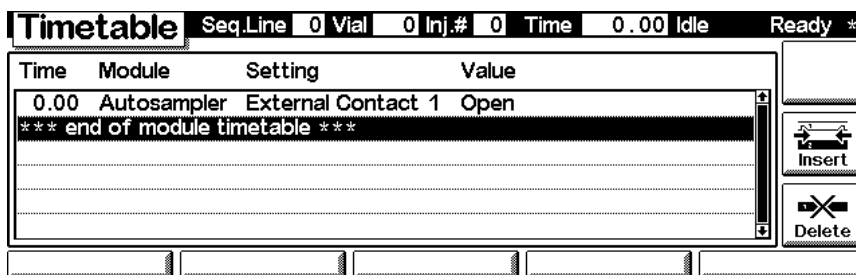
Screens available from the Analysis screen

Selecting **More** and **Optimization** on the pull down menu you can enter different optimization modes.

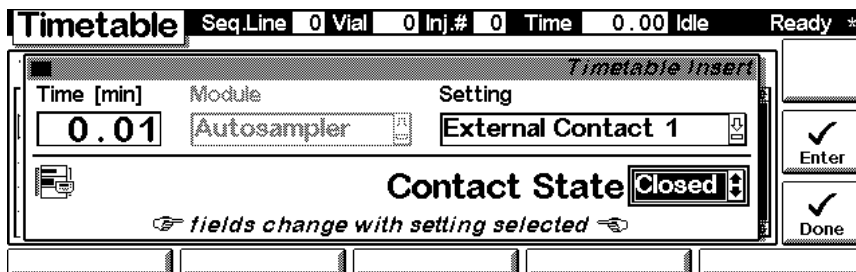


Settings - Timetable

With the F2 key (**Timetable**) you can list the timetable for the ALS. Press F7 key (**Insert**) to add entries or F6 key (**Delete**) to remove entries.

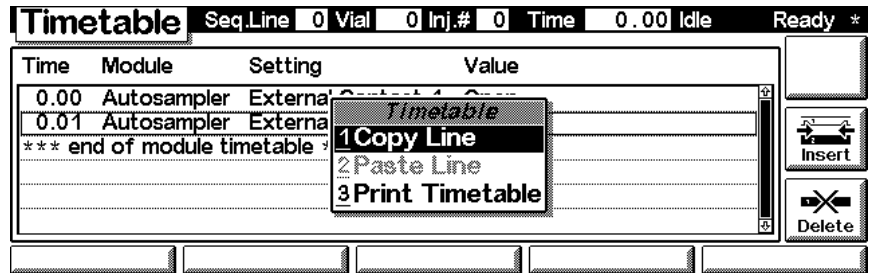


Press the F7 key (**Insert**) to add timetable events. Use the F6 key (**Done**) to view the entered lines of the timetable.



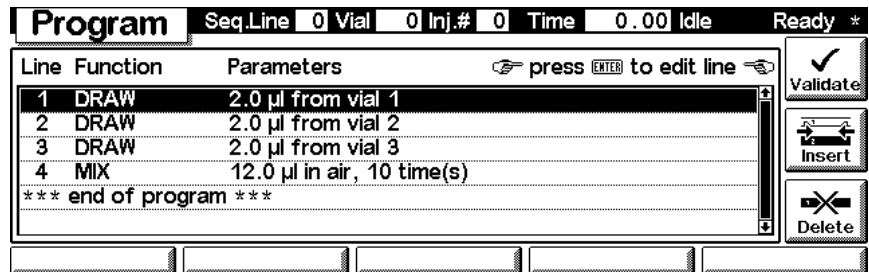
Screens available from the Analysis screen

Use the **m**-key for the context sensitive menu. It gives you additional tools for the timetable.

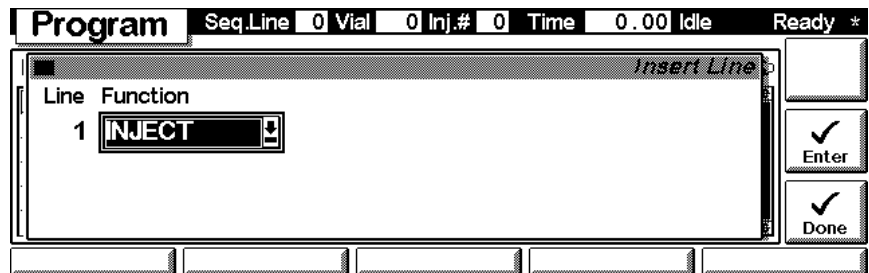


Settings - Injection Program

With the F3 key (**Inj. Program**) you can change the settings for the analog outputs.

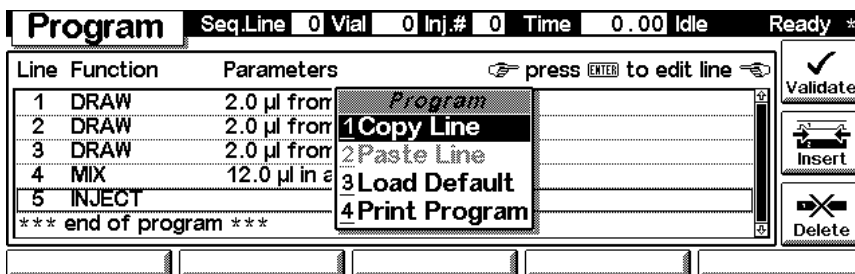


Press the F7 key (**Insert**) to add program events. Use the F6 key (**Done**) to view the entered lines of the timetable.

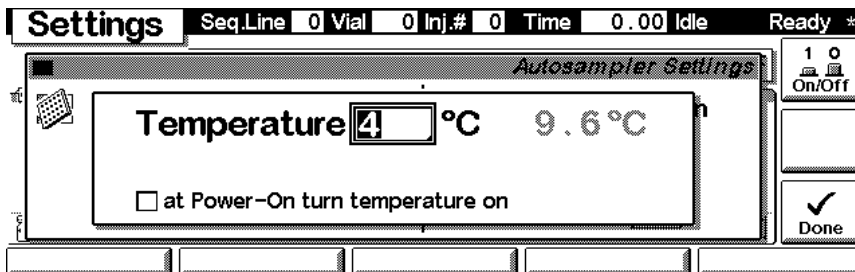


Screens available from the Analysis screen

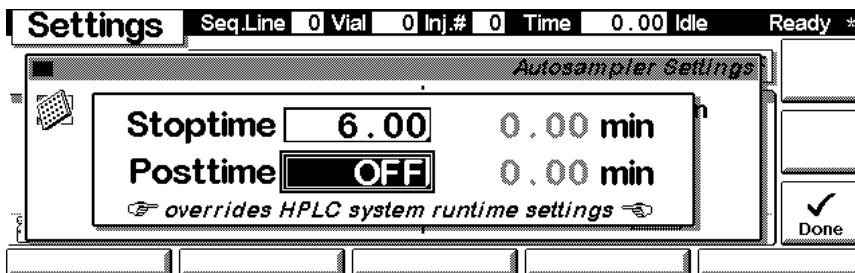
Use the **m**-key for the context sensitive menu. It gives you additional tools for the timetable. The F8 key (**Validate**) will check the injector program for errors.



Settings - Thermostat With the F4 key (**Thermostat**) you can set the autosampler thermostat temperature.



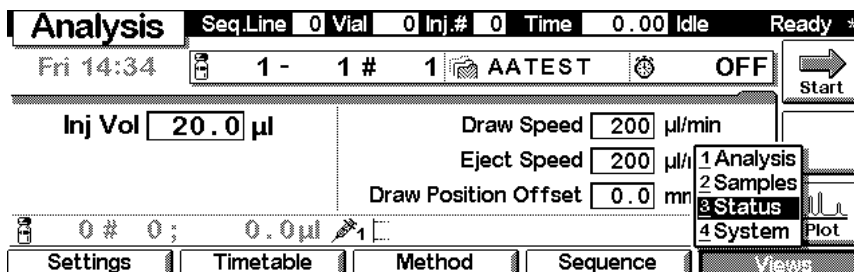
Settings - Run times With the F5 key (**Runtimes**) you can change the stop time and the post-run time.



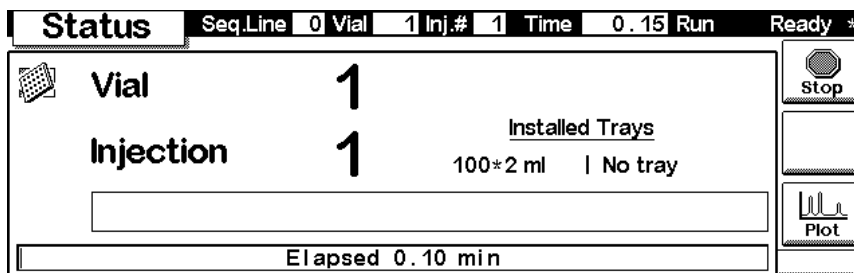
Screens available from the Analysis screen

Status

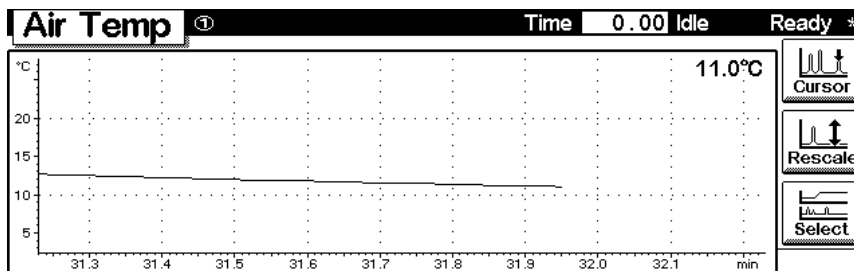
Press F5 key (**Views**) and select **Status**.



This is an example if an Agilent 1100 ALS is configured stand-alone.

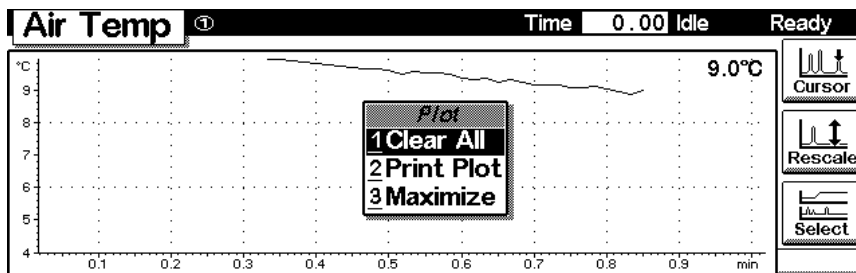
**Signal plot**

Press F6 key (**Plot**) to enter the plot screen (available also from the **Analysis** and **System** screen). Here you can observe the on-line signal(s). To add additional on-line signals (maximum 3), press F6 key (**Select**). If more than one signal is configured (see next), use the 1-2-3 number key to switch between the signals.

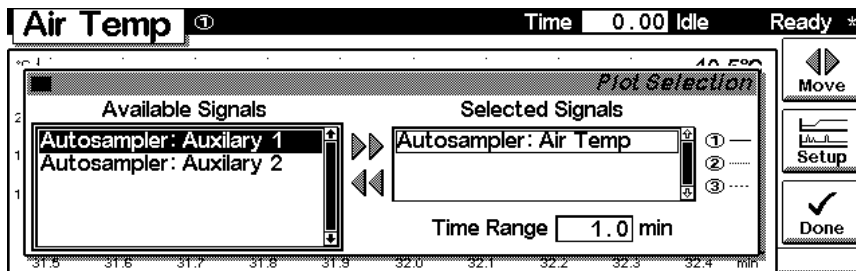


Screens available from the Analysis screen

Press the **m**-key to open the context sensitive menu.



Press F6 key (**Select**). Here you can add additional on-line signals (maximum are 3). Additional signals could be also pressure or temperature signals from other modules. Use the Right/Left arrows to switch between Available and Selected Signals. Use the F8 key (**Move**) to enter available signals into the box for selected signals or vice versa.



Screens available from the Analysis screen

Method screens

Use ESC to return to the **Analysis** screen. Use the F3 key (**Method**) to view the parameters in a method and F8 key (**Save As**) to save the method in the mmodule(s). The PC-Card key is only active when a PCMCIA card is inserted in the control module.

Method		Seq.Line	0	Vial	1	Inj.#	1	Time	0.00	Abort	Ready *
Setting	Value	AATEST									
Stoptime	OFF										
Posttime	OFF										
Injection Volume	20.00 µl										
Draw Speed	200 µl/min										
Eject Speed	200 µl/min										
Draw Position Offset	0.0 mm										
Module		PC-Card		Timetable							

Use F2 key (**PC-Card**) to save a method on a PCMCIA card. Use the Right/Left arrows to switch between PC-Card and Instrument window. Use the UP/Down arrows to select the method. Use the F7/F8 keys (**Copy**) to enter available signals into the box for selected signals or vice versa. Press the **m**-key to open the context sensitive menu.

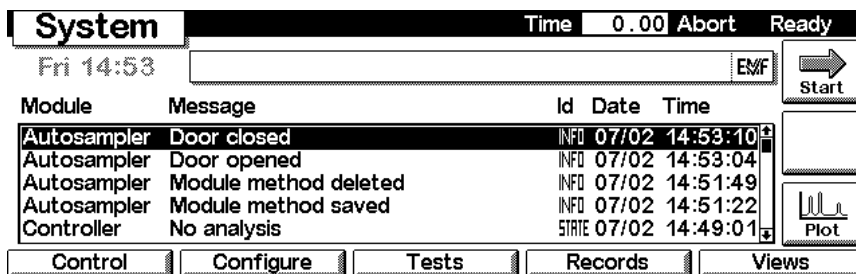
Method		Seq.Line	0	Vial	1	Inj.#	1	Time	0.00	Abort	Ready
Methods on PC-Card		Methods on Instrument									
SDL0206 07/02/99 14:51		AATEST 03/10/99 11:38									
*** end of method list ***		*** end of method list ***									
Initialize											

Method		Seq.Line	0	Vial	1	Inj.#	1	Time	0.00	Abort	Ready
Methods on PC-Card		Methods on Instrument									
SDL0206 07/02/99 14:51		Method 03/10/99 11:38									
*** end of method list ***		method list ***									
		1 Print Directory									
		2 Restart									
Initialize											

Screens available from the System screen

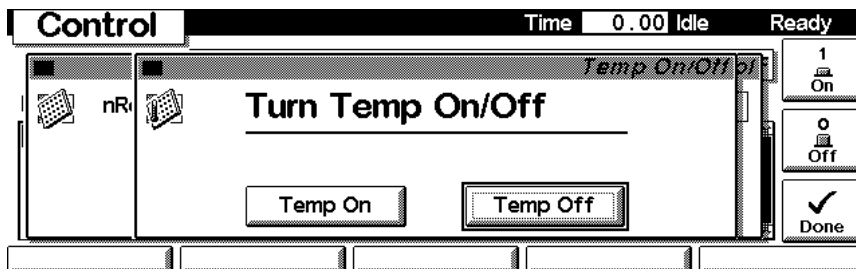
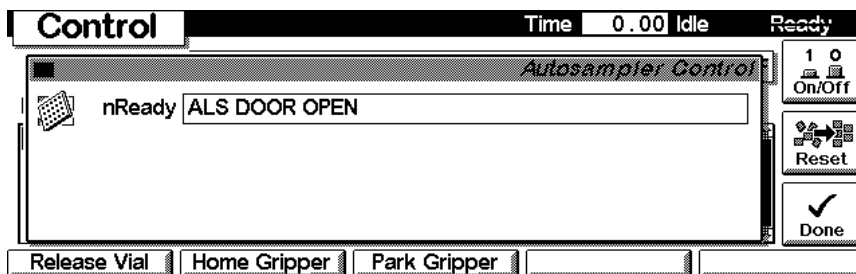
System screen

Use the Esc key to receive **Views** on the F5 key. Choose **System** from the pull-down menu. This screen shows the last activities in the system.



System - Control

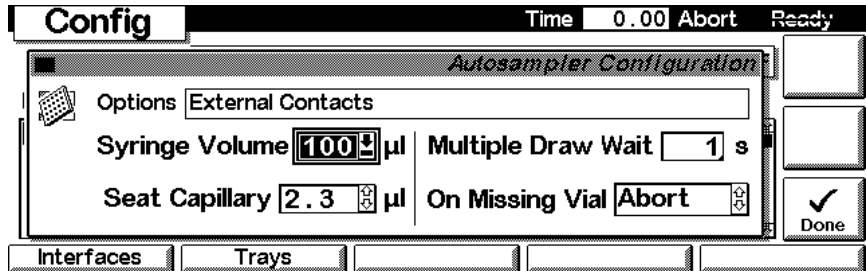
Use the F1 key (**Control**) to select the Autosampler. Here you receive information about the not-ready conditions if needed. F2 key (**Reset**) does a re-initialization of the ALS. Use the F8 key (**On/Off**) to turn on the thermostat. The F1 key (**Release Vial**) releases a vial held in the gripper, the F2 key (**Home Gripper**) returns the gripper to the home position and the F3 key (**Park Gripper**) parks the gripper in preparation for transport.



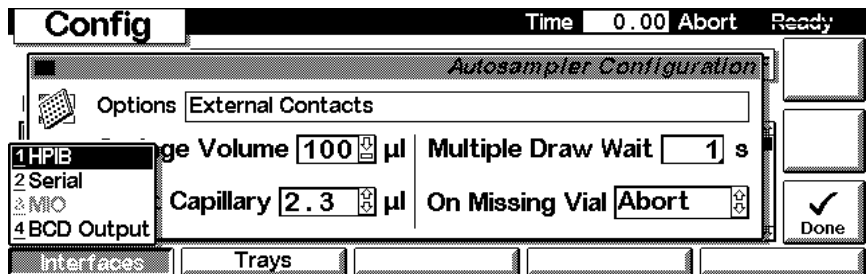
Screens available from the System screen

System -
Configuration

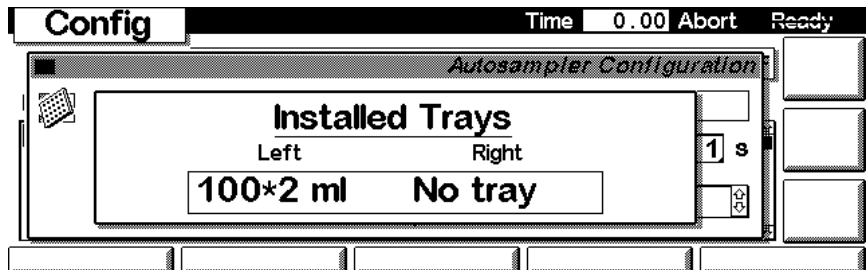
Use the **Esc** key to receive **Views** on the F5 key. Choose **System** from the pull-down menu. Use the F2 key (**Configure**) to select the ALS. Here you define further special setpoints for the ALS operation.



Use the F1 key (**Interfaces**) to access the interface settings (if required).



Use the F2 key (**Trays**) to view the detected sample trays.



Screens available from the Records screen

Records screen

Use the Esc key to receive **Views** on the F5 key. Choose **System** from the pull-down menu. Use the F4 key (**Records**) to select the ALS. Errors are reported either into the **System Log** (F2) or **Error Log** (F3).

Records						Time	0.00	Idle	Ready
Module	Product#	Serial#	Version	On-Time	EMF				
Controller	G1323B*	DE83100000	B.01.01	0d00:07h					
Autosampler	G1329A*	DE12345678	A.03.80	0d00:07h					
	G1330A	DE73300317							

Buttons: EMF, System Log, Error Log, Maint Log, FW Update

Icons: Identify, Print

System / Error Log

Use the F2 key (**System Log**) or F3 key (**Error Log**) to look for errors. For troubleshooting reasons they can be printed or saved to a file on the PCMCIA card (pressing the m-key).

Records			Time	0.00	Idle	Ready
Message	Date	Time				
Initialization done	07/02/99	15:19:43				
Thermostat off	07/02/99	15:18:44				
Thermostat at setpoint	07/02/99	15:18:44				
Initialization	07/02/99	15:18:44				
No analysis	07/02/99	15:18:44				

Buttons: Print

Records			Time	0.00	Idle	Ready
Message	Date	Time				
Initialization done	07/02/99	15:19:43				
Thermostat off	07/02/99	15:18:44				
Thermostat at setpoint	07/02/99	15:18:44				
Initialization	07/02/99	15:18:44				
No analysis	07/02/99	15:18:44				

Buttons: Print

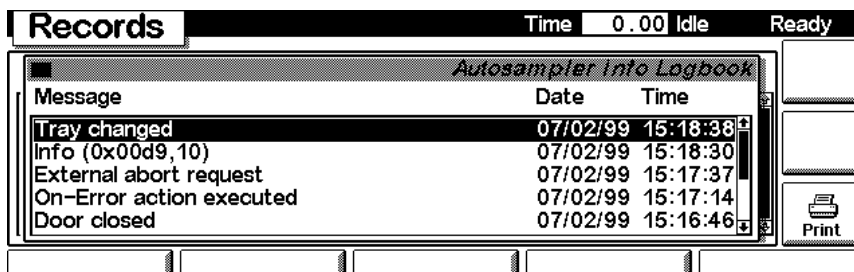
Logbook

1 Save Logbook

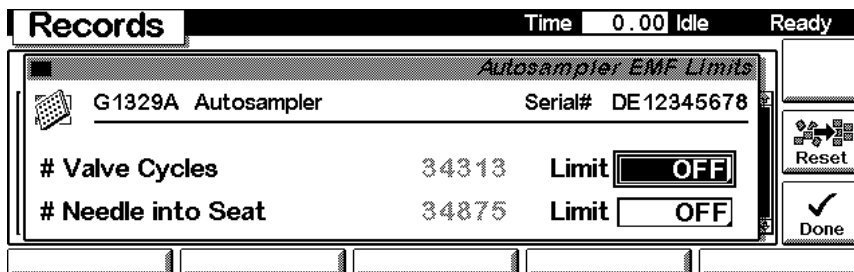
Screens available from the Records screen

Info Log

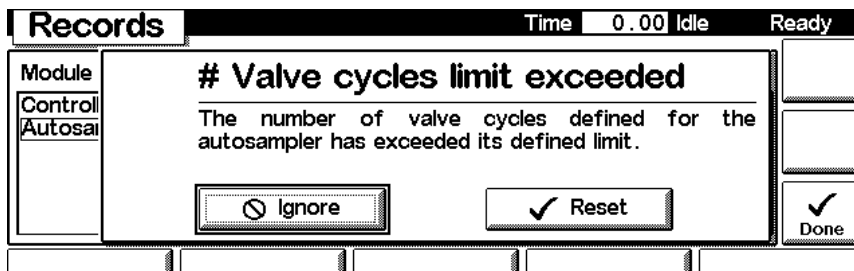
Use the **m**-key to receive a pop-up menu, Select **Info Log**. A list of the last events are listed. For troubleshooting reasons they can be printed or saved to a file on the PCMCIA card (pressing the **m**-key).

**EMF (Early Maintenance Feedback)**

Use the F1 key (**EMF**) to set EMF parameters. Choose menu item 1 (**Setup limits**) to select the number of injection valve cycles or number of needle movements into the needle seat at which you want to receive a warning.



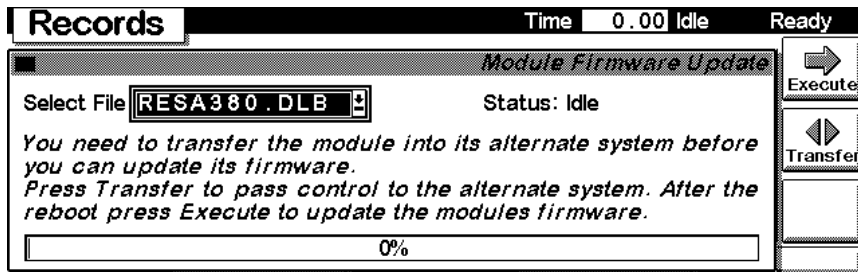
If a set limit has been exceeded, a message box will pop up. This will not stop a sequence or run (the information is intended only for planning of maintenance activities). If you press **Reset**, the limits will be removed. **Ignore** will continue to keep the EMF flag set.



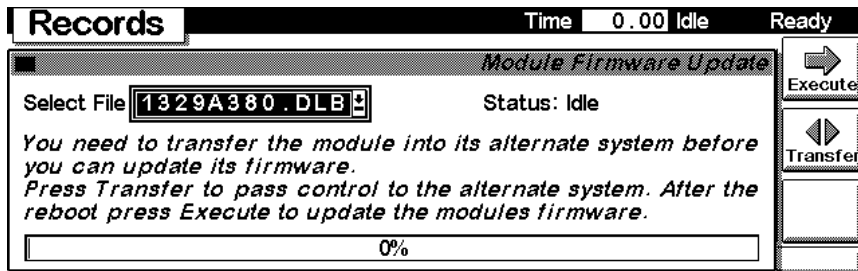
Screens available from the Records screen

Firmware Update

Use the Esc key to receive **Views** on the F5 key. Choose **System** from the pull-down menu. Use the F3 key (**Records**) to select the ALS. Use the F5 key (**FW Update**) to enter the Update section. If you want to update the resident firmware (together with specific main firmware revisions), select the a file from the PCMCIA card (RESnnnn.DLB) and press execute. If you want to update the main firmware, press F7 key (**Transfer**) to turn the module into the resident mode (LED on module should blink yellow).



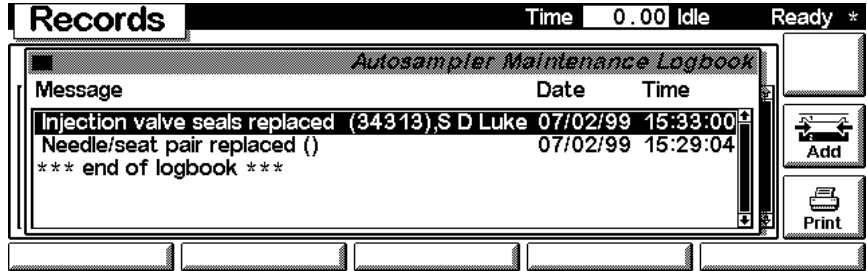
Use the Esc key to receive **Views** on the F5 key. Choose **System** from the pull-down menu. Use the F3 key (**Records**) to select the ALS. Use the F5 key (**FW Update**) to enter the Update section. Select the a file from the PCMCIA card (1313nnnn.DLB or 1329nnnn.DLB) and press execute. When the update has finished the update, press F7 key (**Transfer**) to return the module into the normal mode (LED on module should stays yellow).



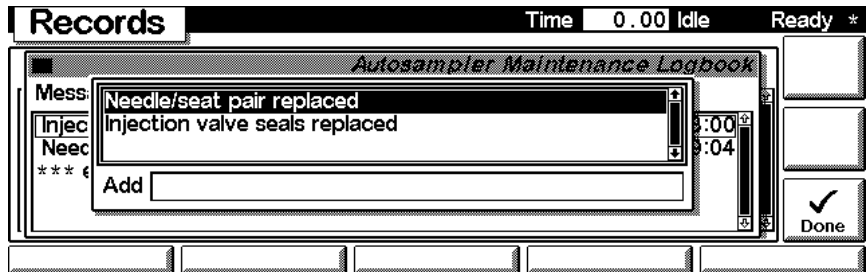
Screens available from the Records screen

Maintenance activities

Use the Esc key to receive **Views** on the F5 key. Choose **System** from the pull-down menu. Use the F3 key (**Records**) to select the ALS. Use the F4 key (**Maint log**) to view and edit the maintenance logbook.



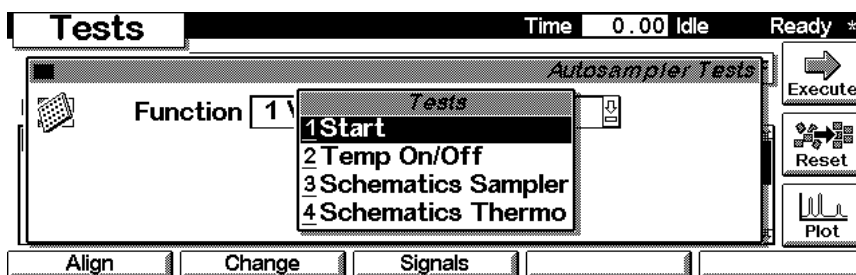
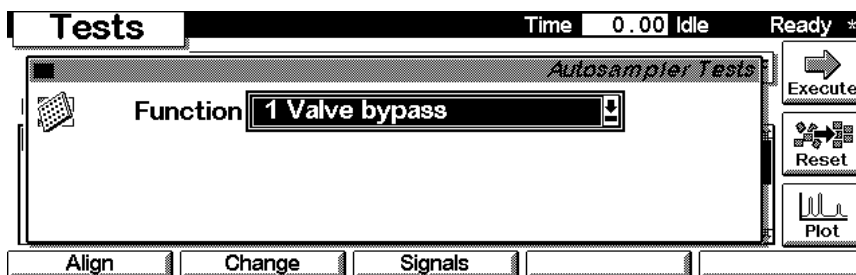
Use the F7 key (**Add**) to add new maintenance activities.



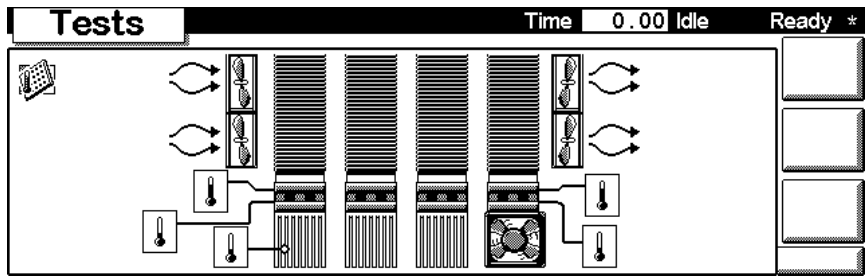
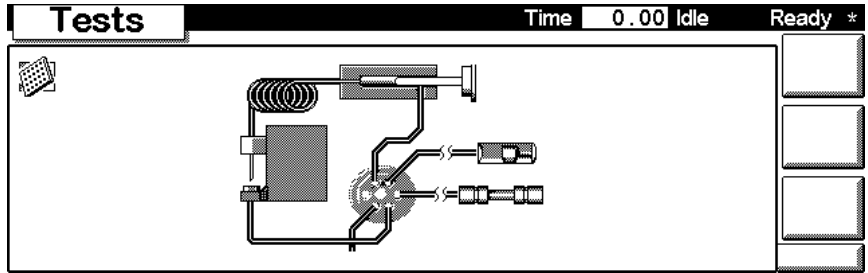
Diagnostics and Tests

Tests screen

Use the Esc key to receive **Views** on the F5 key. Choose **System** from the pull-down menu. Use the F3 key (**Tests**) to select the ALS. Several tests are available to test the Agilent 1100 autosampler. Additional test are listed in the function box. Press the **m**-key to open the context sensitive menu. Menu item 3 (**Schematics**) will popup the ALS and ALS thermostat diagram.



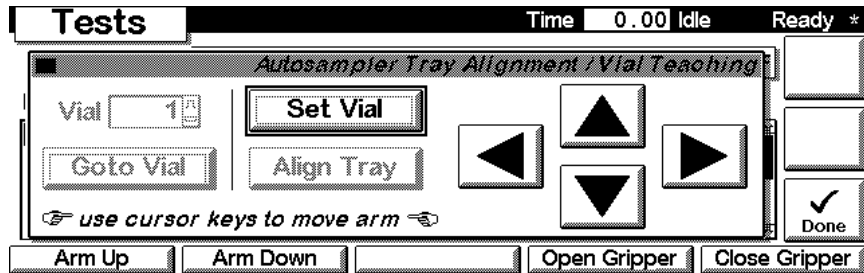
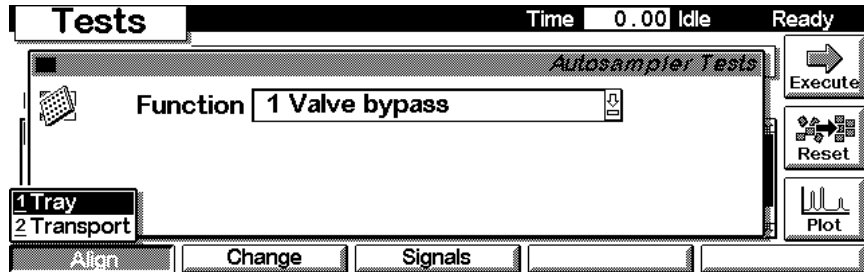
Diagnostics and Tests



Diagnostics and Tests

Tray and Transport Alignment

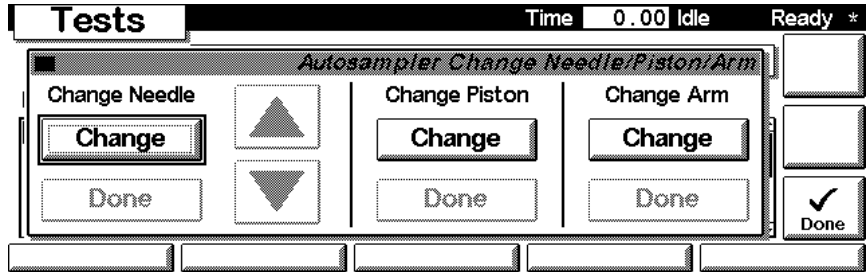
Use the F1 key (**Align**) to align the autosampler tray or transport.



Diagnostics and Tests

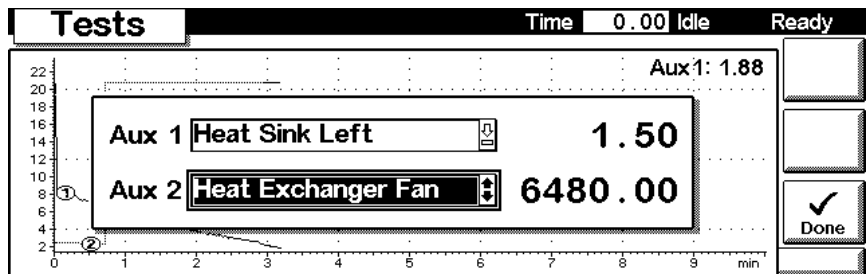
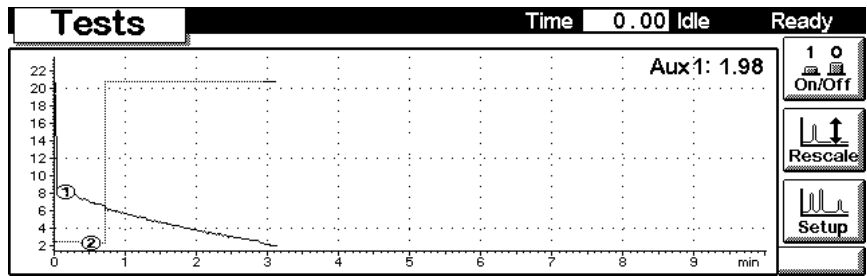
**Change Needle,
Piston and Arm**

Use the F2 key (**Change**) to start the maintenance procedures for changing the autosampler needle, piston and gripper arm.



Signals

Use the F8 key (**Signals**) to display the signals available from the ALS thermostat. Press F6 key (**Setup**). Here you can select which signals are shown.



Specifications

Performance specifications of the Agilent 1100 Series
Standard, Micro and Preparative Autosamplers

Performance Specifications

Table 62

Performance Specifications Agilent 1100 Series Autosampler (G1313A) and Thermostatted Autosampler (G1329A). Valid when standard 100 µl metering head installed.

Type	Specification
GLP features	Early maintenance feedback (EMF), electronic records of maintenance and errors
Communications	Controller-area network (CAN). GPIB (IEEE-448), RS232C, APG-remote standard, optional four external contact closures and BCD vial number output
Safety features	Leak detection and safe leak handling, low voltages in maintenance areas, error detection and display
Injection range	0.1 – 100 µl in 0.1 µl increments Up to 1500 µl with multiple draw (hardware modification required)
Replicate injections	1 – 99 from one vial
Precision	Typically < 0.5 % RSD of peak areas from 5 – 100 µl, Typically < 1 % RSD of peak areas from 1 – 5 µl
Minimum sample volume	1 µl from 5 µl sample in 100 µl microvial, or 1 µl from 10 µl sample in 300 µl microvial
Carryover	Typically < 0.1 %, < 0.05 % with external needle cleaning
Sample viscosity range	0.2 – 50 cp
Replicate injections per vial	1 – 99
Sample capacity	100 × 2-ml vials in 1 tray 40 × 2-ml vials in ½ tray 15 × 6-ml vials in ½ tray (Agilent vials only)
Injection cycle time	Typically 50 s depending on draw speed and injection volume

Table 63

**Performance Specifications Agilent 1100 Series Autosampler (G1313A) and
Thermostatted Autosampler (G1329A).
Valid when standard 900 µl metering head installed.**

Type	Specification
Pressure	Operating range 0-20 MPa (0-200 bar, 0-2950 psi)
GLP features	Early maintenance feedback (EMF), electronic records of maintenance and errors
Communications	Controller-area network (CAN). GPIB (IEEE-448), RS232C, APG-remote standard, optional four external contact closures and BCD vial number output
Safety features	Leak detection and safe leak handling, low voltages in maintenance areas, error detection and display
Injection range	0.1 – 900 µl in 0.1 µl increments (recommended 1 µl increments) Up to 1800 µl with multiple draw (hardware modification required)
Replicate injections	1 – 99 from one vial
Precision	Typically < 0.5 % RSD of peak areas from 5 – 2000 µl, Typically < 1 % RSD of peak areas from 2000 – 5000 µl, Typically < 3 % RSD of peak areas from 1 – 5 µl
Minimum sample volume	1 µl from 5 µl sample in 100 µl microvial, or 1 µl from 10 µl sample in 300 µl microvial
Carryover	Typically < 0.1 %, < 0.05 % with external needle cleaning
Sample viscosity range	0.2 – 50 cp
Sample capacity	100 × 2-ml vials in 1 tray 40 × 2-ml vials in ½ tray 15 × 6-ml vials in ½ tray (Agilent vials only)
Injection cycle time	Typically 50 s, depending on draw speed and injection volume

Table 64

Performance Specifications Agilent 1100 Series Thermostatted Micro Autosampler (G1389A)

Type	Specification
Sample capacity	100 x 2 ml vials in 1 tray. Microvials (100 or 300 µl) with sleeves (reduced cooling performance with microvials)
Settable injection volume	0.01 to 8 µl with small loop capillary 0.01 to 40 µl with extended loop capillary
Precision	Typically < 0.5 % RSD from 5 to 40 µl Typically < 1 % RSD from 1 to 5 µl Typically < 3 % RSD from 0.2 to 1 µl
Minimum sample volume	1 µl from 5 µl sample in 100 µl microvial, or 1 µl from 10 µl sample in 300 µl microvials
Carryover	Typically < 0.1 % without automated needle wash Typically < 0.05 % with external needle cleaning and 1 µl injection volume
Sample viscosity range	0.2 - 5 cp
Recommended pH-range	1.0 - 8.5 solvent with pH < 2.3 should not contain acids which attack stainless steel. Upper pH range is limited by fused silica capillaries
Material in contact with solvent	Stainless steel, sapphire, PTFE, PEEK, fused silica, Vespel
GLP features	Early maintenance feedback (EMF), electronic records of maintenance and errors
Communications	Controller-area network (CAN). GPIB (IEEE-448), RS232C, APG-remote standard, optional four external contact closures and BCD vial number output
Safety features	Leak detection and safe leak handling, low voltages in maintenance areas, error detection and display
Housing	All material recyclable

Specifications

Performance Specifications

Table 65

Performance Specifications Agilent 1100 Series Preparative Autosampler (G2260A)

Type	Specification
Pressure	Operating range 0-40 MPa (0-400 bar, 0-5800psi)
GLP features	Early maintenance feedback (EMF), electronic records of maintenance and errors
Communications	Controller-area network (CAN). GPIB (IEEE-448), RS232C, APG-remote standard, optional four external contact closures and BCD vial number output
Safety features	Leak detection and safe leak handling, low voltages in maintenance areas, error detection and display
Injection range	0.1 – 900 µl in 0.1 µl increments (recommended 1 µl increments) Up to 1800 µl with multiple draw (hardware modification required) Up to 5000 µl with multiple draw (hardware modification required)
Replicate injections	1 – 99 from one vial
Precision	Typically < 0.5 % RSD of peak areas from 5 – 2000 µl, Typically < 1 % RSD of peak areas from 2000 – 5000 µl, Typically < 3 % RSD of peak areas from 1 – 5 µl
Minimum sample volume	1 µl from 5 µl sample in 100 µl microvial, or 1 µl from 10 µl sample in 300 µl microvial
Sample viscosity range	0.2 – 50 cp
Sample capacity	100 × 2-ml vials in 1 tray 15 × 6-ml vials in ½ tray (Agilent vials only)
Injection cycle time	Typically 50 s, depending on draw speed and injection volume

Specifications

Performance Specifications

Warranty Statement

All Chemical Analysis Products

Agilent Technologies warrants its chemical analysis products against defects in materials and workmanship. For details of the warranty period in your country, call Agilent. During the warranty period, Agilent will, at its option, repair or replace products which prove to be defective. Products that are installed by Agilent are warranted from the installation date, all others from the ship date.

If buyer schedules or delays installation more than 30 days after delivery, then warranty period starts on 31st day from date of shipment (60 and 61 days, respectively for products shipped internationally).

Agilent warrants that its software and firmware designed by Agilent for use with a CPU will execute its programming instructions when properly installed on that CPU. Agilent does not warrant that the operation of the CPU, or software, or firmware will be uninterrupted or error-free.

Limitation of Warranty

Onsite warranty services are provided at the initial installation point. Installation and onsite warranty services are available only in Agilent service travel areas, and only in the country of initial purchase unless buyer pays Agilent international prices for the product and services. Warranties requiring return to Agilent are not limited to the country of purchase.

For installation and warranty services outside of Agilent's service travel area, Agilent will provide a quotation for the applicable additional services.

If products eligible for installation and onsite warranty services are moved from the initial installation point, the warranty will remain in effect only if the customer purchases additional inspection or installation services, at the new site.

The foregoing warranty shall not apply to defects resulting from:

- 1 improper or inadequate maintenance, adjustment, calibration, usage of corrosive solvent as described in the solvent information note later in his chapter or operation buyer,
- 2 buyer-supplied software, hardware, interfacing or consumables,

Warranty Statement

- 3 unauthorized modification or misuse,
- 4 operation outside of the environmental and electrical specifications for the product,
- 5 improper site preparation and maintenance, or
- 6 customer induced contamination or leaks.

THE WARRANTY SET FORTH IS EXCLUSIVE AND NO OTHER WARRANTY, WHETHER WRITTEN OR ORAL, IS EXPRESSED OR IMPLIED. AGILENT SPECIFICALLY DISCLAIMS THE IMPLIED WARRANTIES OF MERCHANTABILITY AND FITNESS FOR A PARTICULAR PURPOSE.

Limitation of Remedies and Liability

THE REMEDIES PROVIDED HEREIN ARE BUYER'S SOLE AND EXCLUSIVE REMEDIES. IN NO EVENT SHALL AGILENT BE LIABLE FOR DIRECT, INDIRECT, SPECIAL, INCIDENTAL, OR CONSEQUENTIAL DAMAGES (INCLUDING LOSS OF PROFITS) WHETHER BASED ON CONTRACT, TORT OR ANY OTHER LEGAL THEORY.

Responsibilities of the Customer

The customer shall provide:

- 1 access to the products during the specified periods of coverage to perform maintenance,
- 2 adequate working space around the products for servicing by Agilent personnel,
- 3 access to and use of all information and facilities determined necessary by Agilent to service and/or maintain the products (insofar as these items may contain proprietary or classified information, the customer shall assume full responsibility for safeguarding and protection from wrongful use),
- 4 routine operator maintenance and cleaning as specified in the Agilent operating and service manuals, and
- 5 consumables such as paper, disks, magnetic tapes, ribbons, inks, pens, gases, solvents, columns, syringes, lamps, septa, needles, filters, frits, fuses, seals, detector flow cell windows, and so on.

Responsibilities of Agilent Technologies

Agilent Technologies will provide warranty services as described in Table 66.

Table 66

Warranty Services		
Services During Warranty *	Warranty Period **	Type
Agilent 1100 Series of Modules	1 Year	Onsite
GC, LC, UV-Visible, and LAS supplies and accessories	90 Days	Onsite
Columns and Consumables ***	90 Days	Return to Agilent
Gas Discharge and Tungsten Lamps	30 Days	Return to Agilent
Repairs performed on-site by Agilent ****	90 Days	Onsite

* This warranty may be modified in accordance with the law of your country. Please consult your local Agilent office for the period of the warranty, for shipping instructions and for the applicable wording of the local warranty.

** Warranty services are included as specified for Analytical products and options purchased concurrently provided customer is located within a Agilent defined travel area. Agilent warranty service provides for 8 a.m. to 5 p.m. on-site coverage Monday through Friday, exclusive of Agilent holidays.

*** Columns and Consumables are warranted to be free from defects for a period of 90 days after shipment and will be replaced on a return-to-Agilent basis if unused.

**** Agilent repair warranty is limited to only the item repaired or replaced.

Safety Information

The following general safety precautions must be observed during all phases of operation, service, and repair of this instrument. Failure to comply with these precautions or with specific warnings elsewhere in this manual violates safety standards of design, manufacture, and intended use of the instrument. Agilent Technologies assumes no liability for the customer's failure to comply with these requirements.

General

This is a Safety Class I instrument (provided with terminal for protective earthing) and has been manufactured and tested according to international safety standards.

Operation

Before applying power, comply with the installation section. Additionally the following must be observed.

Do not remove instrument covers when operating. Before the instrument is switched on, all protective earth terminals, extension cords, auto-transformers, and devices connected to it must be connected to a protective earth via a ground socket. Any interruption of the protective earth grounding will cause a potential shock hazard that could result in serious personal injury. Whenever it is likely that the protection has been impaired, the instrument must be made inoperative and be secured against any intended operation.

Make sure that only fuses with the required rated current and of the specified type (normal blow, time delay, and so on) are used for replacement. Do not use repaired fuses and avoid to short-circuit fuseholders.

Some adjustments described in the manual, are made with power supplied to the instrument, and protective covers removed. Energy available at many points may, if contacted, result in personal injury.

WARNING

Any adjustment, maintenance, and repair of the opened instrument under voltage is forbidden.

WARNING

Disconnect the instrument from the line and unplug the power cord before maintenance.

Do not operate the instrument in the presence of flammable gases or fumes. Operation of any electrical instrument in such an environment constitutes a definite safety hazard.

Use the instrument only with Agilent CAN connected instrument or with remote controlled instrument.





Do not install substitute parts or make any unauthorized modification to the instrument.

Capacitors inside the instrument may still be charged, even though the instrument has been disconnected from its source of supply. Dangerous voltages, capable of causing serious personal injury, are present in this instrument. Use extreme caution when handling, testing and adjusting.

Safety Symbols

Table 67 shows safety symbols used on the instrument and in the manuals.

Table 67

Safety Symbols	
Symbol	Description
	The apparatus is marked with this symbol when the user should refer to the instruction manual in order to prevent risk of harm to the operator and to protect the apparatus against damage.
	Indicates dangerous voltages.
	Indicates a protected conductor terminal.
	Eye damage may result from directly viewing the light produced by the Xenon flash lamp used in this product. Always turn the xenon flash lamp off before removing it.

Safety Information

WARNING

A warning alerts you to situations that could cause physical injury or damage to the equipment. Do not proceed beyond a warning until you have fully understood and met the indicated conditions.

CAUTION

A caution alerts you to situations that could cause a possible loss of data. Do not proceed beyond a caution until you have fully understood and met the indicated conditions.

Lithium Batteries Information

WARNING

Danger of explosion if battery is incorrectly replaced. Replace only with the same or equivalent type recommended by the equipment manufacturer. Lithium batteries may not be disposed-off into the domestic waste.

Transportation of discharged Lithium batteries through carriers regulated by IATA/ICAO, ADR, RID, IMDG is not allowed. Discharged Lithium batteries shall be disposed off locally according to national waste disposal regulations for batteries.

WARNING

Lithiumbatteri - Eksplosionsfare ved fejlagtig håndtering. Udskiftning må kun ske med batteri af samme fabrikat og type. Lever det brugte batteri tilbage til leverandøren.

WARNING

Lithiumbatteri - Eksplosionsfare. Ved udskiftning benyttes kun batteri som anbefalt av apparatfabrikanten. Brukt batteri returneres apparatleverandøren.

NOTE

Bij dit apparaat zijn batterijen geleverd. Wanneer deze leeg zijn, moet u ze niet weggooien maar inleveren als KCA.



Radio Interference

Never use cables other than the ones supplied by Agilent Technologies to ensure proper functionality and compliance with safety or EMC regulations.

Test and Measurement

If test and measurement equipment is operated with equipment unscreened cables and/or used for measurements on open set-ups, the user has to assure that under operating conditions the radio interference limits are still met within the premises.

Sound Emission

Manufacturer's Declaration

This statement is provided to comply with the requirements of the German Sound Emission Directive of 18 January 1991.

This product has a sound pressure emission (at the operator position) < 70 dB.

- Sound Pressure $L_p < 70$ dB (A)
- At Operator Position
- Normal Operation
- According to ISO 7779:1988/EN 27779/1991 (Type Test)

Solvent Information

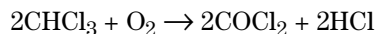
Observe the following recommendations on the use of solvents.

Solvents

Brown glass ware can avoid growth of algae.

Always filter solvents, small particles can permanently block the capillaries. Avoid the use of the following steel-corrosive solvents:

- Solutions of alkali halides and their respective acids (for example, lithium iodide, potassium chloride, and so on).
- High concentrations of inorganic acids like nitric acid, sulfuric acid especially at higher temperatures (replace, if your chromatography method allows, by phosphoric acid or phosphate buffer which are less corrosive against stainless steel).
- Halogenated solvents or mixtures which form radicals and/or acids, for example:



This reaction, in which stainless steel probably acts as a catalyst, occurs quickly with dried chloroform if the drying process removes the stabilizing alcohol.

- Chromatographic grade ethers, which can contain peroxides (for example, THF, dioxane, di-isopropylether) such ethers should be filtered through dry aluminium oxide which adsorbs the peroxides.
- Solutions of organic acids (acetic acid, formic acid, and so on) in organic solvents. For example, a 1 % solution of acetic acid in methanol will attack steel.
- Solutions containing strong complexing agents (for example, EDTA, ethylene diamine tetra-acetic acid).
- Mixtures of carbon tetrachloride with 2-propanol or THF.

Agilent Technologies on Internet

For the latest information on products and services visit our worldwide web site on the Internet at:

<http://www.agilent.com>

Select “Products” - “Chemical Analysis”

It will provide also the latest firmware of the Agilent 1100 series modules for download.

A

address switch, 236
Agilent on internet, 285
air circulation, 15
analog signal output, 232
Analytical, 165
analytical head, 208
APG remote interface, 232
ASIC, 220
ASM board, 220
autosampler accessory kit contents,
 18, 177, 178, 179, 180
autosampler control, 218
autosampler main board, 220

B

battery, 221
 safety information, 282
BCD board, 228
BCD/LAN board, 228
bench space, 15
boards
 interface board (BCD/LAN), 228
bypass, 205
bypassing the autosampler, 35

C

cable
 connecting APG remote, 23, 25
 connecting CAN, 23, 25
 connecting GPIB, 23, 25
 connecting LAN, 23, 25
 connecting the ChemStation, 23, 25
 connecting the power, 23, 25
cables, 185
CAN interface, 232
capillaries, 31
change metering seal, 83
change needle, 81
choice of vials and caps, 46
cleaning the autosampler, 104
common electronics, 220
condensation, 16
configuration switch, 236

control module

Analysis screens, 247
Config screens, 259
Control screens, 258
Error Log screen, 260
Firmware Update screens, 262
Info Log and EMF screen, 261
Introduction to ALS screens, 246
Maintenance screens, 263
Method screens, 257
Records screen, 260
Run Times screen, 254
Settings screens, 250
Signal Plot screens, 255
Status screens, 255
System screen, 258
Tests and Diagnostic screens, 264
Thermostat screen, 254
Timetable screens, 252

D

damaged packaging, 17
delay, 38
delay volume, 35, 38
delivery checklist, 17
DRAW, 46
draw speed, 46

E

EJECT, 46
eject speed, 46
electronics, 218
 ASIC, 220
 ASM board, 220
 battery, 221
 electronic fuses, 221
 fan drive, 221
 firmware, 226
 sample transport control, 221
 sampling unit control, 223
 sensors, 219
electrostatic discharge, 105
environment, 14, 16
error messages, 50, 53
 arm movement failed, 66

compensation sensor open, 61
compensation sensor short, 62
fan failed, 63
ignition without cover, 64
initialization failed, 72
initialization with vial, 75
invalid vial position, 79
leak, 58
leak sensor open, 59
leak sensor short, 60
metering home failed, 73
missing vial, 71
missing wash vial, 78
motor failed, 74
needle down failed, 70
needle up failed, 69
remote timeout, 56
restart without cover, 65
safety flap missing, 76
shutdown, 55
synchronization lost, 57
time-out, 54
valve to bypass failed, 67
valve to mainpass failed, 68
vial in gripper, 77
ESD strap, 105

F

failure, 50
firmware, 226
 main system, 226
 resident system, 226
 updates, 227
flow connections, 31
fuses, 14
 BCD board, 228
 power supply, 243

G

GPIB
 default addresses, 232
 interface, 232
gripper, 210
 alignment, 50
 external vials, 50

gripper alignment, 87
gripper fingers, 210
gripper-position verification, 89

H

half trays, 32
half-tray combinations, 32
hall sensor, 219

I

injection sequence, 205
injection valve, 202, 207, 209
injection volume precision, 46
injection volumes, 46
injection volumes less than 2 μ l, 46
installing the autosampler, 26
 flow connections, 31
 interface cables, 26
 power cable, 26
 safety, 26
 sample trays, 32
installing the sample tray, 32
installing the thermostatted
 autosampler
 interface cables, 28
 power cable, 28
 power cable and interface cable, 29
 preparation, 28
 safety, 26, 28
 tray cover and front cover, 35
installing the tray cover front door, 35
instrument status indicator, 52
interface board (BCD/LAN), 228
interfaces
 analog signal output, 232
 APG remote, 232
 CAN, 232
 GPIB, 232
 overview, 231
 RS-232C, 235
internet, 285
introduction to the autosampler, 202
IR sensor, 219

L

LAN
 interface board, 228
LAN cables, 200
LAN interface board, 229
low volume injections, 46
low-volume capillary kit, 35
low-volume capillary kit, 183

M

main board, 220
mainpass, 205
maintenance functions, 50, 80
 change metering seal, 83
 change needle, 81
message
 ignition without cover, 64
metering device, 46, 207
metering seal, 165
metering seal 900 μ l, 165, 167
micro thermostatted autosampler
 accessory kit contents, 20
microswitches, 219
missing parts, 17
multi-draw option, 202

N

needle drive, 207, 208
numbering of vials, 32

O

optimizing performance
 automated needle wash, 46
 bypassing the autosampler, 35
 delay volume, 46
 delay-volume adjustment, 46
 early maintenance, 46
 inject-valve seal, 46
 low-volume capillary kit, 35, 46
 minimizing delay volume, 35, 38

P

park arm, 84
park transport assembly, 17, 35
parts and materials, 17
 900 μ l injection upgrade kit, 183
 accessory kit, 178
 ALS thermostat, 162
 analytical-head assembly, 165
 analytical-head assembly (optional
 900 microlitre), 165
 autosampler accessory kit, 177
 autosampler main assemblies, 161
 autosampler sampling unit
 assembly, 163
 cables, 185
 cover parts, 171
 external tray, 184
 foam parts, 172
 injection-valve assembly, 168
 leak system parts, 174
 main assemblies, 160
 maintenance kit, 181
 micro thermostatted autosampler
 acc. kit, 179
 multi-draw kit, 182
 power and status light pipes, 173
 preparative ALS acc. kit, 180
 preparative-head assembly, 167
 sheet metal kit, 170
 thermostatted autosampler
 accessory kit, 178
 transport assembly, 160, 162
 tray cover parts, 171
 vial trays and tray base, 175
parts identification
 cables - LAN cables, 200
performance specifications, 270
 autosampler, 270, 271
 preparative autosampler, 273
 micro autosampler, 272
physical specifications, 16, 17
power consideration, 14
power cords, 15
power requirements, 14
power supply
 description, 241
 specifications, 243

power supply indicator, 52
 preparative autosampler accessory
 kit contents, 21
 preparative head, 208

R

reflection sensor, 219
 repair procedures, 106
 repairs
 ASM board, 148
 exchanging internal parts, 126
 fan, 146
 gripper arm, 123
 injection-valve assembly, 140
 leak sensor, 157
 main board (ASM), 148
 main cover, 127
 metering plunger, 120
 metering seal, 120
 metering-drive motor and belt, 142
 needle assembly, 108
 needle-drive motor and belt, 144
 needle-seat assembly, 111
 power supply, 154
 rotor seal, 117
 sampling unit, 134
 simple repairs, 107
 stator face, 114
 SUD board, 152
 top cover and foam, 128, 130
 transport assembly, 132
 restart without cover, 65
 RS-232
 cable kit to PC, 199
 RS-232C
 communication settings, 238
 interface, 235
 settings, 238

S

safety information
 on lithium batteries, 282
 sample trays, 32
 numbering of vial positions, 33
 sampling sequence, 204

sampling unit, 207
 seals
 metering seal, 165, 167
 sensors, 219
 shipping, 17, 35, 84
 simple repairs, 107
 site requirements, 14
 specifications, 16, 17, 270
 stack configuration, 23, 25
 rear view, 23, 25
 stator, 209
 status indicator, 50
 status indicators, 51
 step commands, 89
 step functions, 50
 stepper motor, 208
 storage, 16

T

temperature, 16, 270
 thermostatted autosampler accessory
 kit contents, 19
 theta-axis, 210
 Time-Out, 54
 transport, 35, 84
 transport assembly, 210
 transport mechanism, 202

U

unpacking the autosampler, 17
 URL, 285

V

valve capillaries, 31
 verifying the gripper position, 89
 vial contents temperature, 270
 vial numbering, 32
 vial racks, 202
 vial tray, 35
 vials, 202
 viscous samples, 46
 volume, 38

W

warranty
 responsibility of Agilent
 Technologies, 278
 services, 278
 statement, 276
 weight, 15

X

X-axis, 210

Z

Z-axis, 210

In This Book

This manual contains technical reference information about the Agilent 1100 Series Standard, Thermostatted, Micro and and Preparative Autosamplers.

The manual describes the following:

- installing the autosamplers,
- optimizing performance,
- troubleshooting and test functions,
- repairing the autosamplers,
- parts and materials,
- introduction to the autosamplers,
- screens of the local control module
- specifications
- safety and warranty

